

AVANT[®] 523

Varaosakirja
Parts Manual
Dellista
Ersatzteilliste



Serial numbers: XXXXXX2333 ->
Avant 520 also included

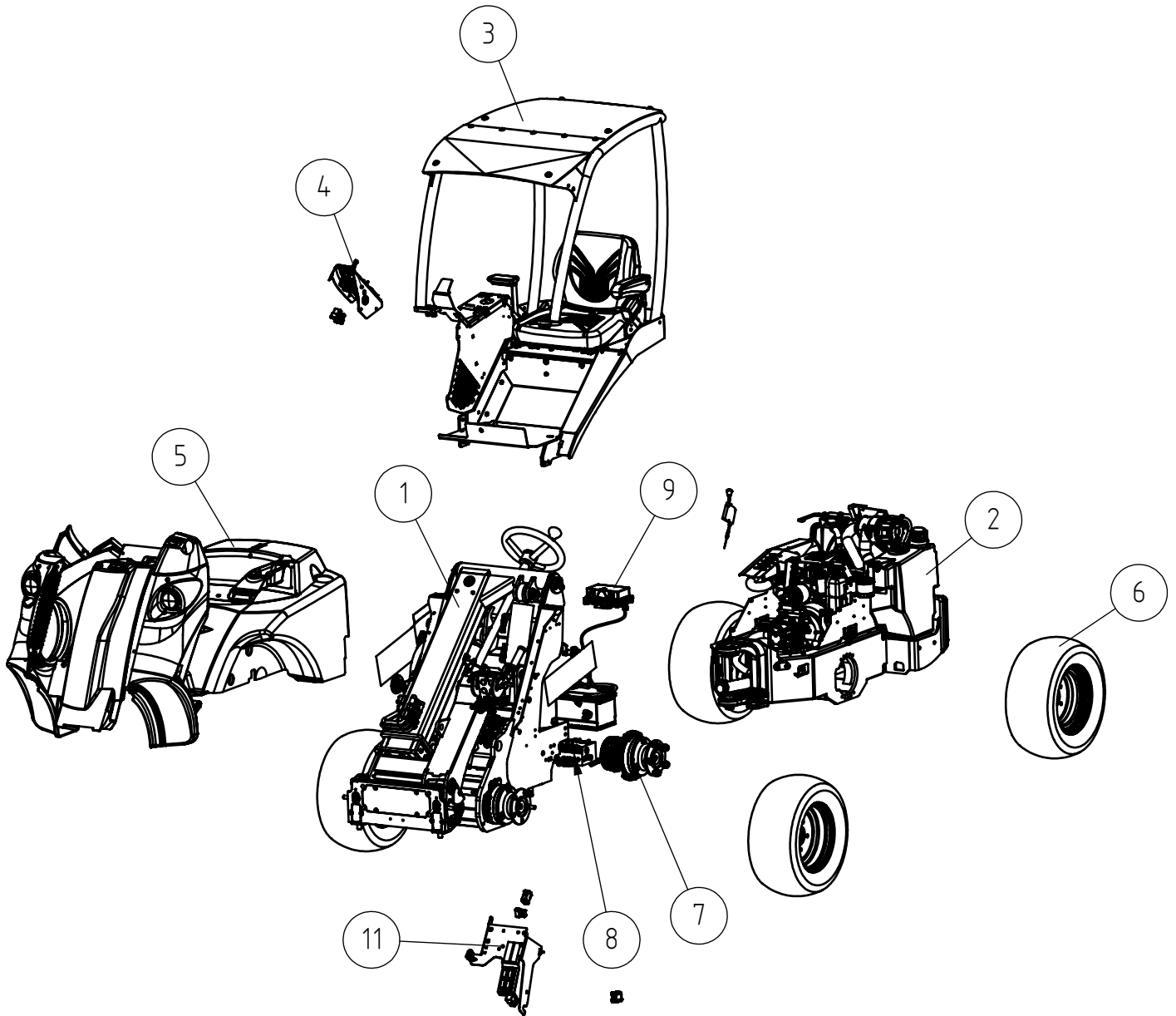
Table Of Contents

A461625	AVANT 523	4
A461511	FRONT FRAME ASSEMBLY 523 SER3	6
A461433	TELESCOPIC BOOM COMPLETE WITH	8
A461513	OUTER BOOM ASSEMBLY	10
A461598	INNER BOOM ASSEMBLY	12
A436687	LINKAGE PIECE "BOOMERANG" CAST STEEL	14
65252	MULTI CONNECTOR, ON LOADER	16
A436576	ATTACHMENT COUPLING PLATE CAST STEEL	18
A436614	LOCKING PIN ASSEMBLY ATTACHM COUPL PLATE	20
A461514	HYDRAULIC TUBES AND HOSES TELESCOPIC	22
A452574	STEERING COLUMN ASSEMBLY	24
A449399	HYDR. HOSES ORBITROL	26
A440870	DRIVE PEDAL ASSEMBLY 700 SERIES	28
A422190	HYDR. HOSES DRIVE PEDAL 700 SERIES	30
A458427	HYDRAULIC OIL COOLER ASSEMBLY	32
A458426	HYDRAULIC MANIFOLD ASSEMBLY TANK LINE	34
A460843	CONTROL VALVE HDS11 ASSEMBLY MANUAL	36
A460740	CONTROL LEVERS & JOINTS HDS11 ASSEMBLY	38
A460791	JOYSTICK MANUAL ASSEMBLY	40
A461285	HYDRAULIC HOSES CONTROL VALVE - BOOM	42
A462351	REAR FRAME ASSEMBLY 523	44
A21740	REAR FRAME	46
A37449	ARTICULATION JOINT ASSEMBL REAR FRAME	48
A422702	RADIATOR 423/523, D902, ASSEMBLY	50
A48669	FUEL TANK 20 L, COMPLETE	52
A37475	MOUNTING BRACKETS, COVER PLATES REAR CHA	54
A36909	REAR WEIGHT (BUMPER) 160 KG, ASSEMBLY	56
A455492	HYDRAULIC MANIFOLD ASSEMBLY 520 / 523	58
A431698	HYDRAULIC PUMPS ASSEMBLY 523 OPTIDRIVE	60
A461630	ENGINE ASSEMBLY D902 / 523	62
A422594	FLYWHEEL HOUSING D902	64
A37374	EXHAUST MUFFLER ASSEMBLY D902 423/523	66
66511	DIESEL ENGINE KUBOTA D902 WITHOUT	68
A462042	ROPS/FOPS CAB ASSEMBLY 500 SERIES	70
A462011	SEAT BASE ASSEMBLY 500-700 SERIES	72

20.12.2023

A439987	INSTRUMENT PANEL WITH DECAL 700 / 800		74
A48906	ROPS FRAME WITH FOPS CANOPY, 500 SERIES		76
A435860	DASHBOARD ASSEMBLY 700-800 ROPS		78
A461632	COVER PLATES, KIT, ABS, 523 ROPS		80
A446265	COVER PLATES FRONT FRAME ABS 500-700	*ABS	82
A447754	COVER PLATES FRONT FRAME POLYCARBONATE	*PC/HD (optional extra)	84
A450770	WORK LIGHTS LED ON FRONT COVERS ASSEMBLY		86
A37489	COVER PLATES REAR CHASSIS 420-523, KIT	*ABS	88
A426056	COVER PLATES POLYCARB REAR CHASSIS	*PC/HD, optional extra	90
A445134	HYDRAULIC MOTOR ASSEMBLY 364 CCM POCLAIN		92
A463094			94
A453608			96
A454023	HYDRAULIC MANIFOLD 1-SPEED DRIVE RELEASE		98
A455517			100
A451678	DECAL KIT FRONT FRAME 645I - 760I ROPS		102
A414821	ROCKER SWITCHES, ALL		104
A455807	BOOM SELF LEVELLING, 500 & E SERIES		106
A458483	DIVIDER WITH FITTINGS, HOSES, ASSEMBLY		108
A455802	BOOM FLOATING, MACHINE WITHOUT SELF		110
A455803	BOOM FLOATING, WHEN SELF LEVELLING	*Boom floating when self levelling	112
A449741	DIRECTIONAL VALVE ASSEMBLY BOOM FLOAT &		114
A424299	ENGINE D722 ASSEMBLY		116
A455806	JOYSTICK 6 FUNCTIONS, KIT, 500 SERIES		118
A454145	ATTACHMENT CONTROL SWITCH PACK		120
A35884	EXTRA AUX. HYDR. OUTLET, FRONT, 500 SERI		122
A454838	ANTI SLIP VALVE 500, 600 SERIES		124
A435400	JOYSTICK 8 FUNCTION WITH ANTI SLIP		126
A33916	WORK LIGHT KIT, 3 LED LIGHTS 700 LUMEN		128
A449941	ROAD TRAFFIC KIT, ON ROPS 500-600 SERIES		130
A412565	REAR WALL FOR ROAD TRAFFIC LIGHTS		132
A449937	CAB L		134
A443979	WINDSCREEN WIPER ASSEMBLY CAB L 523-760I		136
A446010	TANK ASSEMBLY WINDSCREEN WASHER		138
A37578	HYDRAULIC PUMPS ASSEMBLY 520 OPTIDRIVE		140
A425277	ENGINE BLOCK HEATER, KIT, 423/523		142

A461625 AVANT 523



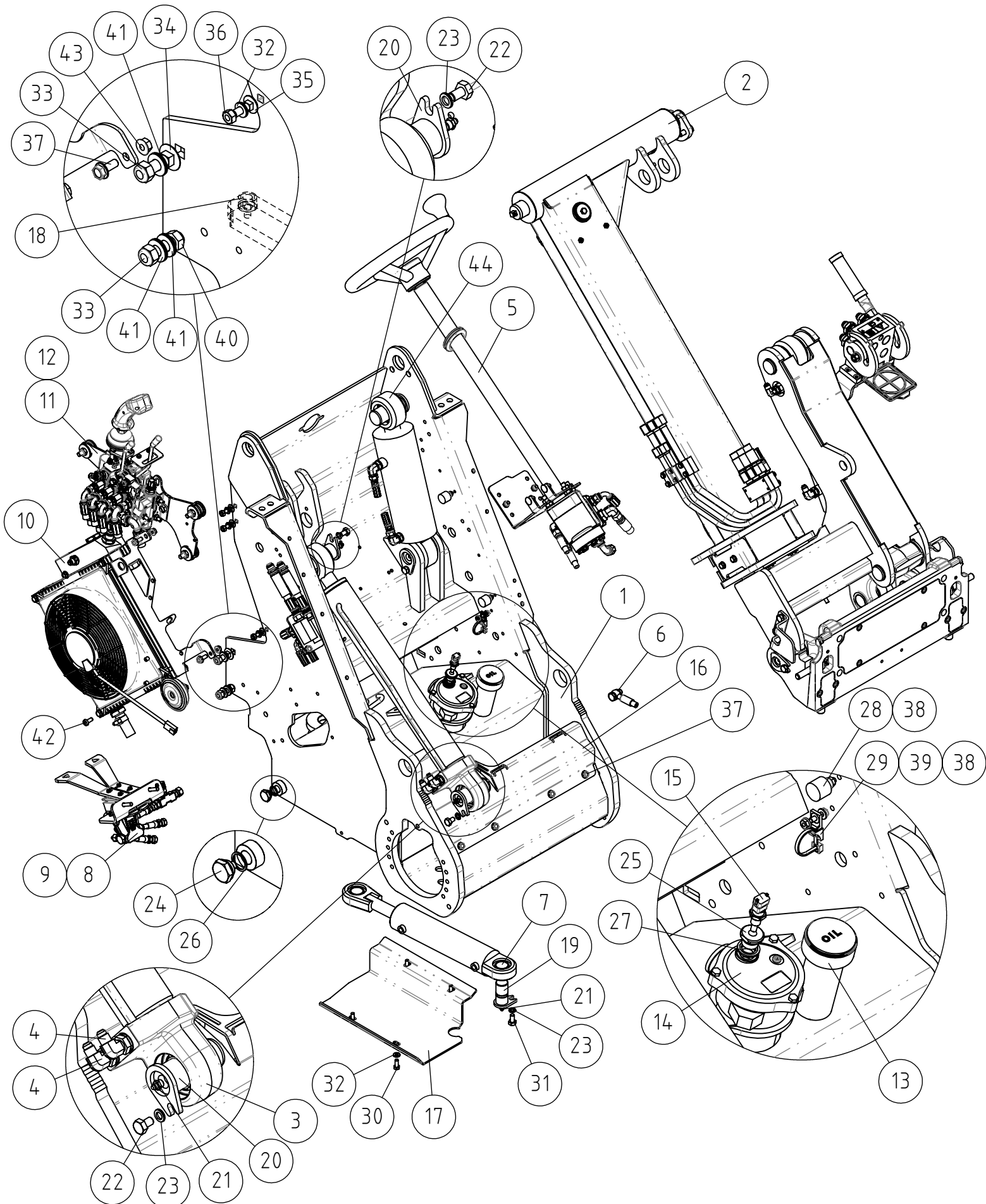
20.12.2023

A461625 AVANT 523

REF	PART NO	QTY	DESCRIPTION	NOTES	PAGE
1	A461511	1	FRONT FRAME ASSEMBLY 523 SER3		6
2	A462351	1	REAR FRAME ASSEMBLY 523		44
3	A462042	1	ROPS/FOPS CAB ASSEMBLY 500 SERIES		70
4	A435860	1	DASHBOARD ASSEMBLY 700-800 ROPS		78
5	A461632	1	COVER PLATES, KIT, ABS, 523 ROPS		80
6	65996	4	WHEEL 23*10.50-12 GRASS, 5-HOLE RIM		-
6	65997	4	WHEEL 23*10.50-12 TRACTOR 5- HOLE RIM		-
6	65994	4	WHEEL 23*8.50-12 GRASS, 5-HOLE RIM		-
6	65995	4	WHEEL 23*8.50-12 TRACTOR 5- HOLE RIM		-
6	65787	4	WHEEL (TYRE+RIM) 10-HOLE 26.5*14-12 GRAS		-
6	65739	4	WHEEL 26*12.00-12 TRACTOR, 10 HOLE RIM		-
7	A445134	1	HYDRAULIC MOTOR ASSEMBLY 364 CCM POCLAIN		92
8	A463094	1			94
9	A460721	1	POWER SUPPLY ASSEMBLY 520/523		-
10	A451678	1	DECAL KIT FRONT FRAME 6451 - 760I ROPS		102
11	A462499	1	ELECTRIC COMPONENTS 500 SERIES		-

20.12.2023

A461511 FRONT FRAME ASSEMBLY 523 SER3



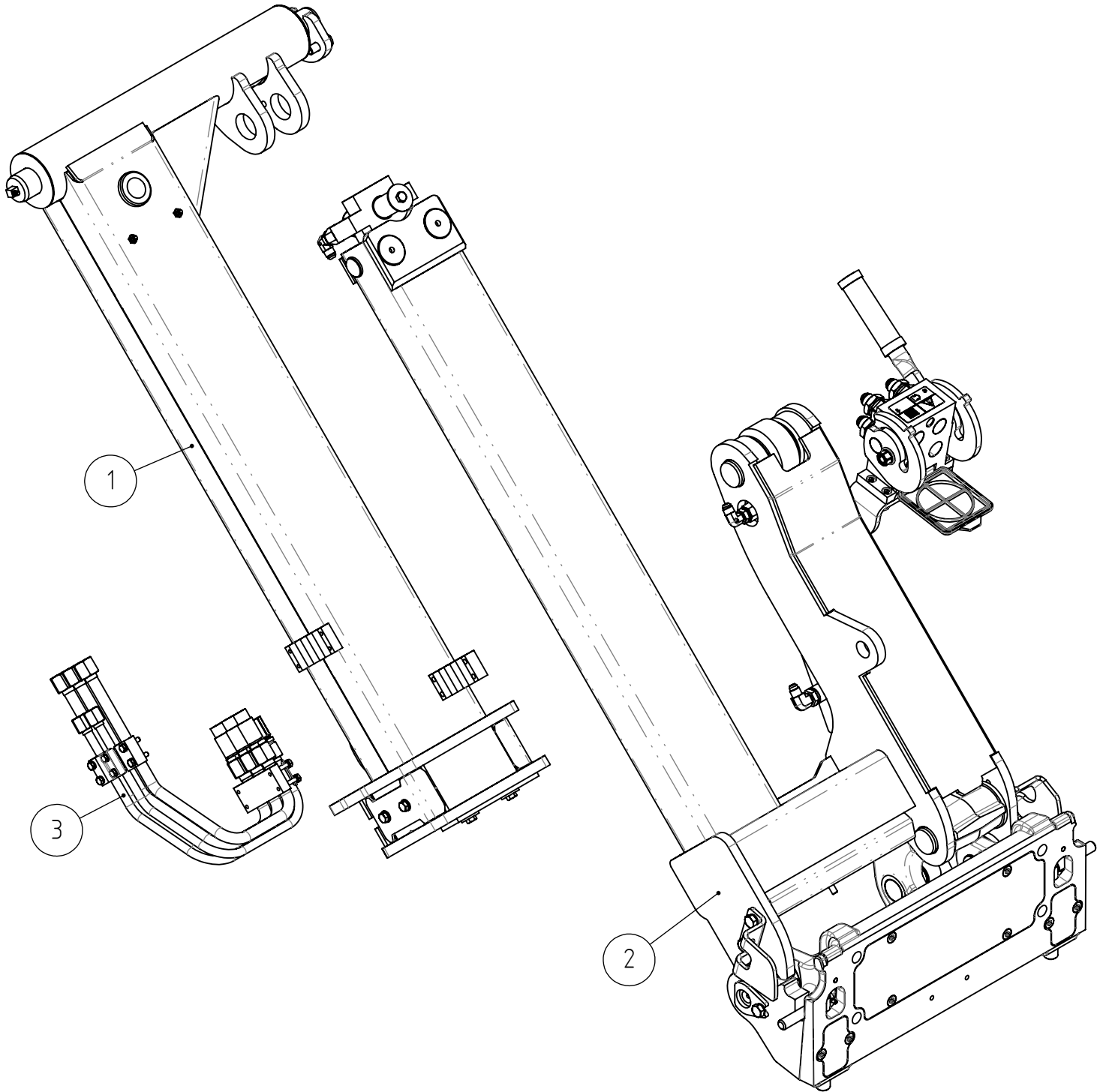
20.12.2023

A461511 FRONT FRAME ASSEMBLY 523 SER3

REF	PART NO	QTY	DESCRIPTION	NOTES	PAGE
1	A450315	1	FRONT FRAME 500-600 SERIES		-
2	A461433	1	TELESCOPIC BOOM COMPLETE WITH		8
3	A420809	1	HYDRAULIC CYLINDER F63/F35-450		-
3.1	65003	1	SEAL KIT, 63/35 CYLINDER		-
3.2	64911	2	ARTICUL. BEARING GE40ES F62/40-28(22)		-
4	64044	2	ELBOW FITTING 90° C40XS10-3/8 /8		-
5	A452574	1	STEERING COLUMN ASSEMBLY		24
6	A449399	1	HYDR. HOSES ORBITROL		26
7	A410813	1	HYDR. CYLINDER F60/F30-172 STEERING		-
7.1	65567	1	SEAL KIT, CYLINDER F60/F30		-
7.2	64273	2	ARTICUL. BEARING GE30ESF47/30-22(18)		-
8	A440870	1	DRIVE PEDAL ASSEMBLY 700 SERIES		28
9	A422190	1	HYDR. HOSES DRIVE PEDAL 700 SERIES		30
10	A458427	1	HYDRAULIC OIL COOLER ASSEMBLY		32
11	A460843	1	CONTROL VALVE HDS11 ASSEMBLY MANUAL		36
12	A461285	1	HYDRAULIC HOSES CONTROL VALVE - BOOM		42
13	A48010	1	DIPSTICK L=230 HYDR. OIL R1 1/4"		-
14	64176	1	HYDRAULIC OIL FILTER, RETURN, OMTF 75-20		-
14.1	A427821	1	SEAL KIT HYDRAULIC RETURN OIL FILTER		-
15	A433798	1	TEMPERATURE SENSOR TF-W		-
16	A449045	1	COVER DRIVE MOTORS FRONT		-
17	A410452	1	BOTTOM PLATE		-
18	A413262	2	BUSHING F19/F10, FLOOR RAISING, 700		-
19	A47655	1	PIVOT PIN F30-60		-
20	A47041	2	PIVON PIN F40-90		-
21	72798	3	GREASE NIPPLE R 1/8" STRAIGHT		-
22	72147	2	HEXAGONAL SCREW M 10*16 DIN 933		-
23	74531	3	SPACER NORDLOCK M10, PAIR		-
24	64352	1	HEXAGONAL DRAIN PLUG, MAGNETIC R 1/2		-
25	A438517	1	FITTING G1/2" => M12*1,5		-
26	75117	1	SEAL RING F26/F21*1,5		-
27	73047	1	USIT SEAL RING R/12"		-
28	65238	2	RUBBER MOUNT, CYLINDRICAL		-
29	A442639	1	CABLE TIE 7,6*390 M6 BLACK		-
30	72130	4	HEXAGONAL SCREW M8*20		-
31	73040	1	HEXAGONAL SCREW M10*20 DIN 933 ZN		-
32	63944	7	WASHER, PAIR, NORD-LOCK M8		-
33	72324	2	HEXAGONAL NUT M 12 NYLOC DIN 985		-
34	74983	1	CARRIAGE BOLT M12*35 DIN603		-
35	74857	3	CARRIAGE BOLT M8*25 DIN603		-
36	72319	3	HEXAGONAL NUT M8 DIN 934		-
37	A429201	6	HEXAGONAL SERRATED SCREW M8*20 WITH FLAN		-
38	74781	3	HEXAGONAL NUT M6 WITH FLANGE		-
39	A431349	1	HEXAGONAL SERRATED SCREW M6*20 W. FLANG		-
40	75156	1	HEXAGONAL SCREW M12*35 DIN 931 10.9		-
41	A430999	3	WASHER, PAIR, M12 NORDLOCK		-
42	A435496	1	THREAD-FORMING SCREW M8*20 DIN 7500C		-
43	A450046	2	HEXAGONAL NUT M8 WITH FLANGE		-
44	A455807	1	BOOM SELF LEVELLING, 500 & E SERIES		106

20.12.2023

A461433 TELESCOPIC BOOM COMPLETE WITH



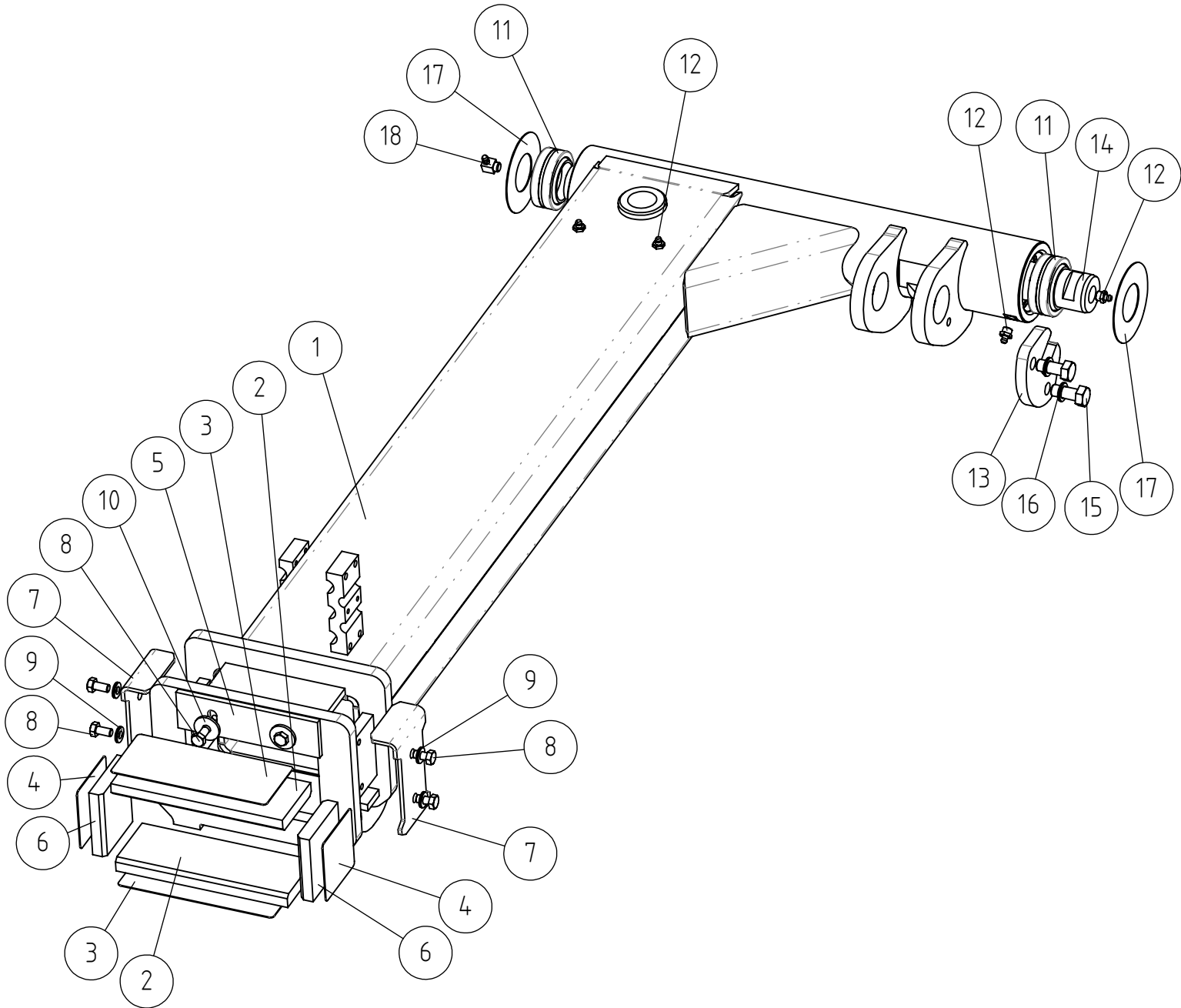
20.12.2023

A461433 TELESCOPIC BOOM COMPLETE WITH

REF	PART NO	QTY	DESCRIPTION	NOTES	PAGE
1	A461513	1	OUTER BOOM ASSEMBLY		10
2	A461598	1	INNER BOOM ASSEMBLY		12
3	A461514	1	HYDRAULIC TUBES AND HOSES TELESCOPIC		22

20.12.2023

A461513 OUTER BOOM ASSEMBLY

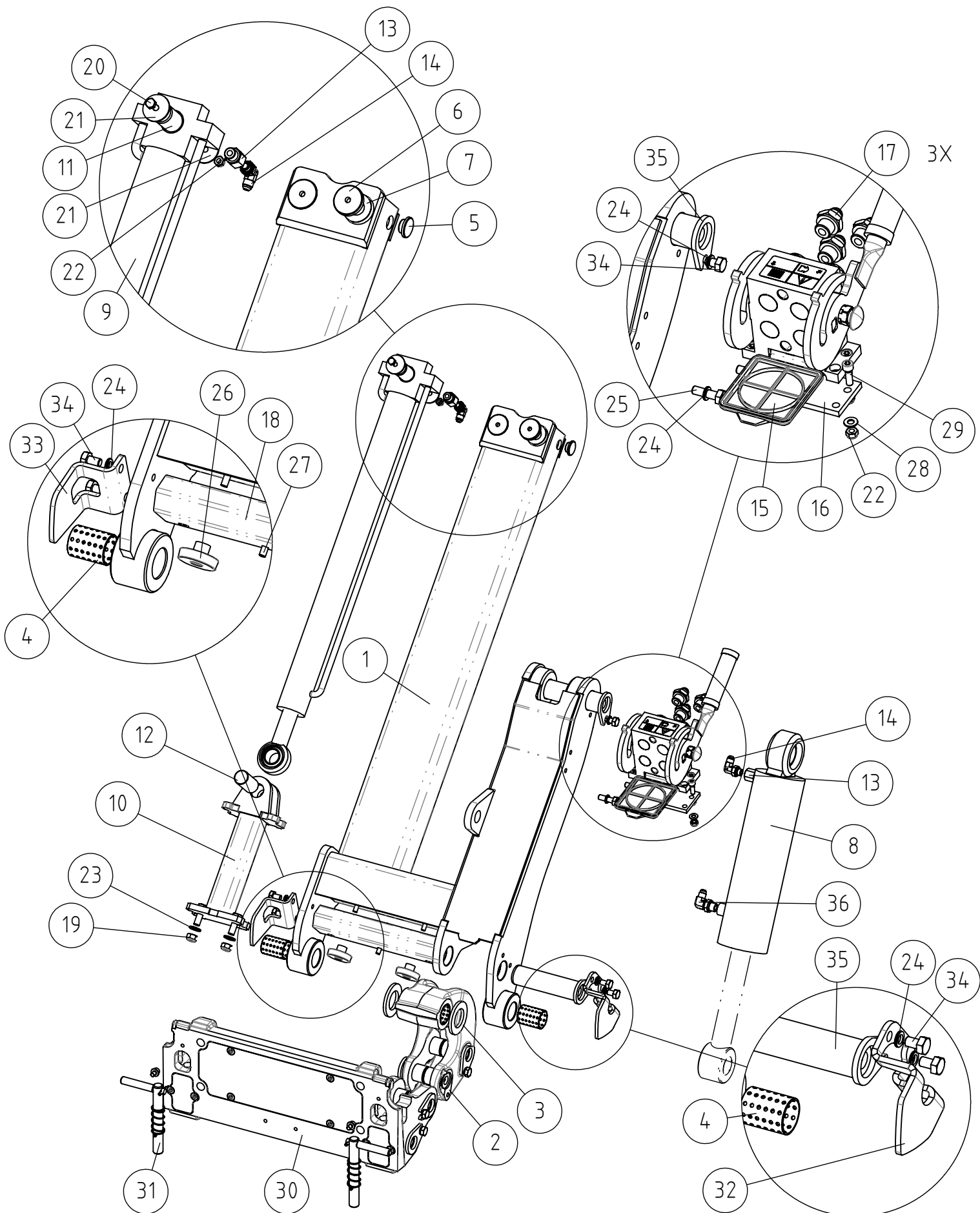


20.12.2023

A461513 OUTER BOOM ASSEMBLY

REF	PART NO	QTY	DESCRIPTION	NOTES	PAGE
1	A33604	1	OUTER BOOM		-
2	A48339	2	SLIDE PAD 15*72*194		-
3	A48014	2	ADJUSTMENT PLATE 1 MM, LONG		-
4	A48013	2	ADJUSTMENT PLATE 1 MM, SHORT		-
5	A48367	1	SCRAPER		-
6	A48340	2	SLIDE PAD 15*72*78		-
7	A48341	2	MOUNTING PLATE, SLIDE PAD		-
8	73039	6	HEXAGONAL SCREW M 8*16 DIN 933 ZN		-
9	63944	4	WASHER, PAIR, NORD-LOCK M8		-
10	71685	2	WASHER M8 R9 DIN 440 ZN		-
11	64911	2	ARTICUL. BEARING GE40ES F62/40-28(22)		-
12	72798	4	GREASE NIPPLE R 1/8" STRAIGHT		-
13	A49723	1	LOCKING PLATE		-
14	A49725	1	PIVOT PIN F40-564		-
15	72167	2	HEXAGONAL SCREW M12*30 DIN 933		-
16	74532	2	WASHER NORDLOCK NL12		-
17	A414808	2	SHIM RING S=1 MM 85/40.25 ARTICULATION		-
18	74082	1	GREASE NIPPLE R1/8" 90 DEGREE		-

A461598 INNER BOOM ASSEMBLY



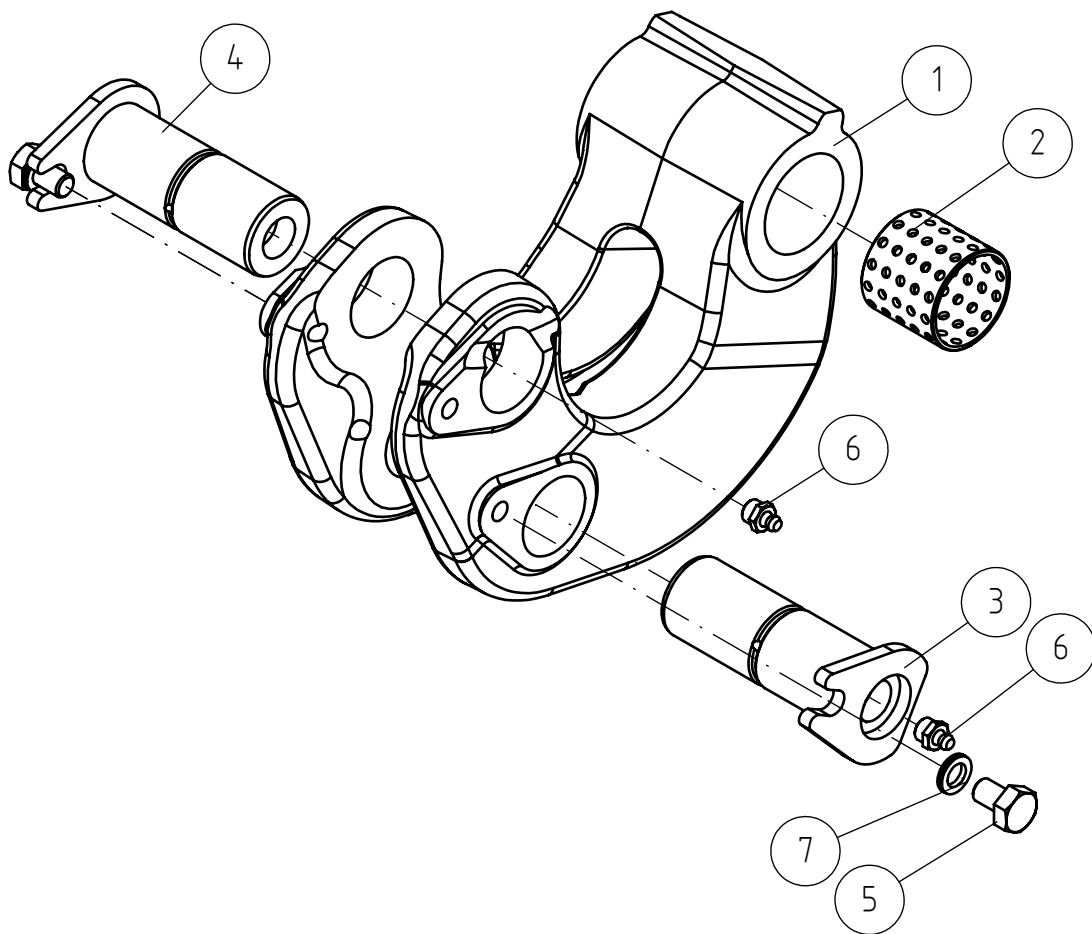
20.12.2023

A461598 INNER BOOM ASSEMBLY

REF	PART NO	QTY	DESCRIPTION	NOTES	PAGE
1	A33605	1	INNER BOOM		-
2	A436687	1	LINKAGE PIECE "BOOMERANG" CAST STEEL		14
3	A411429	2	SPACER S=6		-
4	64913	2	SLIDE BEARING BRM-80 F39/F35-50		-
5	A48343	2	ROLLER, BOOM		-
6	A47922	2	ROLLER, BOOM		-
7	A47941	2	SLIDE PLATE		-
8	A47921	1	HYDR. CYLINDER F90/F40-216		-
8.1	65005	1	SEAL KIT, CYLINDER 90/40 A47920 A47921		-
8.2	64911	1	ARTICUL. BEARING GE40ES F62/40-28(22)		-
9	A47032	1	HYDR. CYLINDER F50/F32-600		-
9.1	65004	1	SEAL KIT 50/32 CYLINDER A47032		-
9.2	64273	1	ARTICUL. BEARING GE30ESF47/30-22(18)		-
9.3	64823	1	SLIDE BEARING BRM-80 F34/F30-30		-
10	A47002	1	LINKAGE ROD, SELF LEVELING		-
11	A48489	1	PIVOT PIN F30		-
12	A47692	1	PIVOT PIN F30-66		-
13	64324	3	REDUCER FITTING RI 3/8"-EDX 1/4"		-
14	64087	3	ELBOW FITTING 90 DEGR. /4#		-
15	65252	1	MULTI CONNECTOR, ON LOADER		16
16	A410804	1	MOUNTING BRACKET, MULTI CONNECTOR LOADER		-
17	64058	3	BASIC FITTING F40XS12-1/2		-
18	A413816	1	SERVICE SUPPORT, LIFT CYLINDER		-
19	72324	2	HEXAGONAL NUT M 12 NYLOC DIN 985		-
20	74766	1	HEXAGONAL SCREW M8*140		-
21	A48492	2	WASHER M8X40		-
22	72320	5	HEXAGONAL NUT M8 NYLOC DIN 985		-
23	71691	2	WASHER M12 A13 DIN 125		-
24	74531	7	SPACER NORDLOCK M10, PAIR		-
25	74505	2	HEXAGONAL SCREW M10*35 DIN 933 ZN		-
26	64188	2	FINGER SCREW R5026M8S		-
27	72139	1	HEXAGONAL SCREW M 8*60 DIN 931		-
28	73122	4	WASHER M8 A8,4 DIN 125 ZN		-
29	71884	4	HEXAGONAL HEAD SCREW M 8*25 DIN 912 2		-
30	A436576	1	ATTACHMENT COUPLING PLATE CAST STEEL		18
31	A436614	1	LOCKING PIN ASSEMBLY ATTACHM COUPL PLATE		20
32	A430655	1	RELEASE PLATE		-
33	A432890	1	RELEASE PLATE RIGHT		-
34	72147	5	HEXAGONAL SCREW M 10*16 DIN 933		-
35	A47042	2	PIVOT PIN F40-147		-
36	64044	1	ELBOW FITTING 90° C40XS10-3/8 /8		-

20.12.2023

A436687 LINKAGE PIECE "BOOMERANG" CAST STEEL



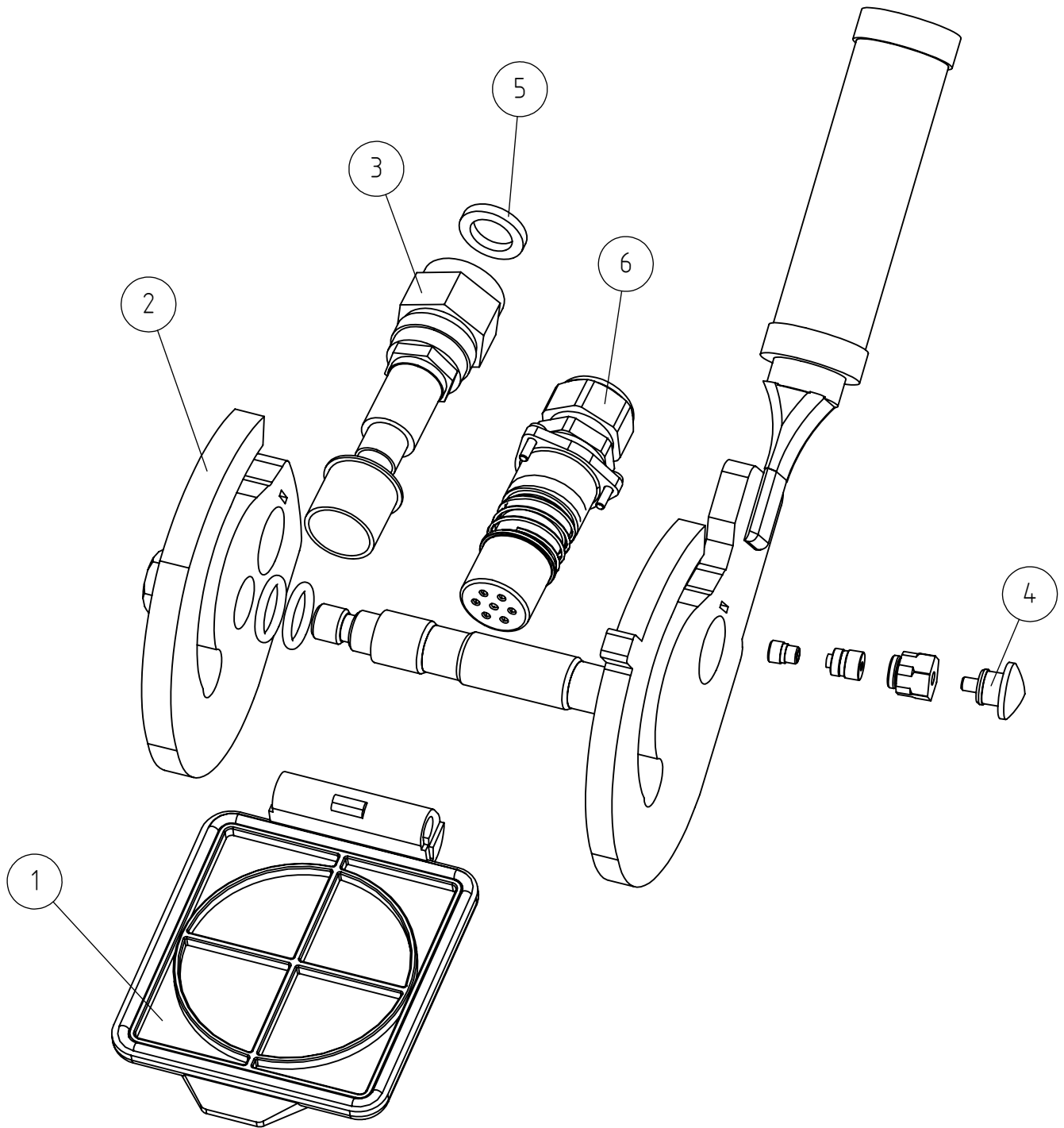
20.12.2023

A436687 LINKAGE PIECE "BOOMERANG" CAST STEEL

REF	PART NO	QTY	DESCRIPTION	NOTES	PAGE
1	A435456	1	LINKAGE PIECE "BOOMERANG" CAST STEEL ADI		-
2	64912	2	SLIDE BEARING BRM-80 TF44/F40-40		-
3	A430579	1	PIVOT PIN 35-103		-
4	A430582	1	PIVOT PIN 35-92		-
5	72147	2	HEXAGONAL SCREW M 10*16 DIN 933		-
6	72798	2	GREASE NIPPLE R 1/8" STRAIGHT		-
7	74531	2	SPACER NORDLOCK M10, PAIR		-

20.12.2023

65252 MULTI CONNECTOR, ON LOADER



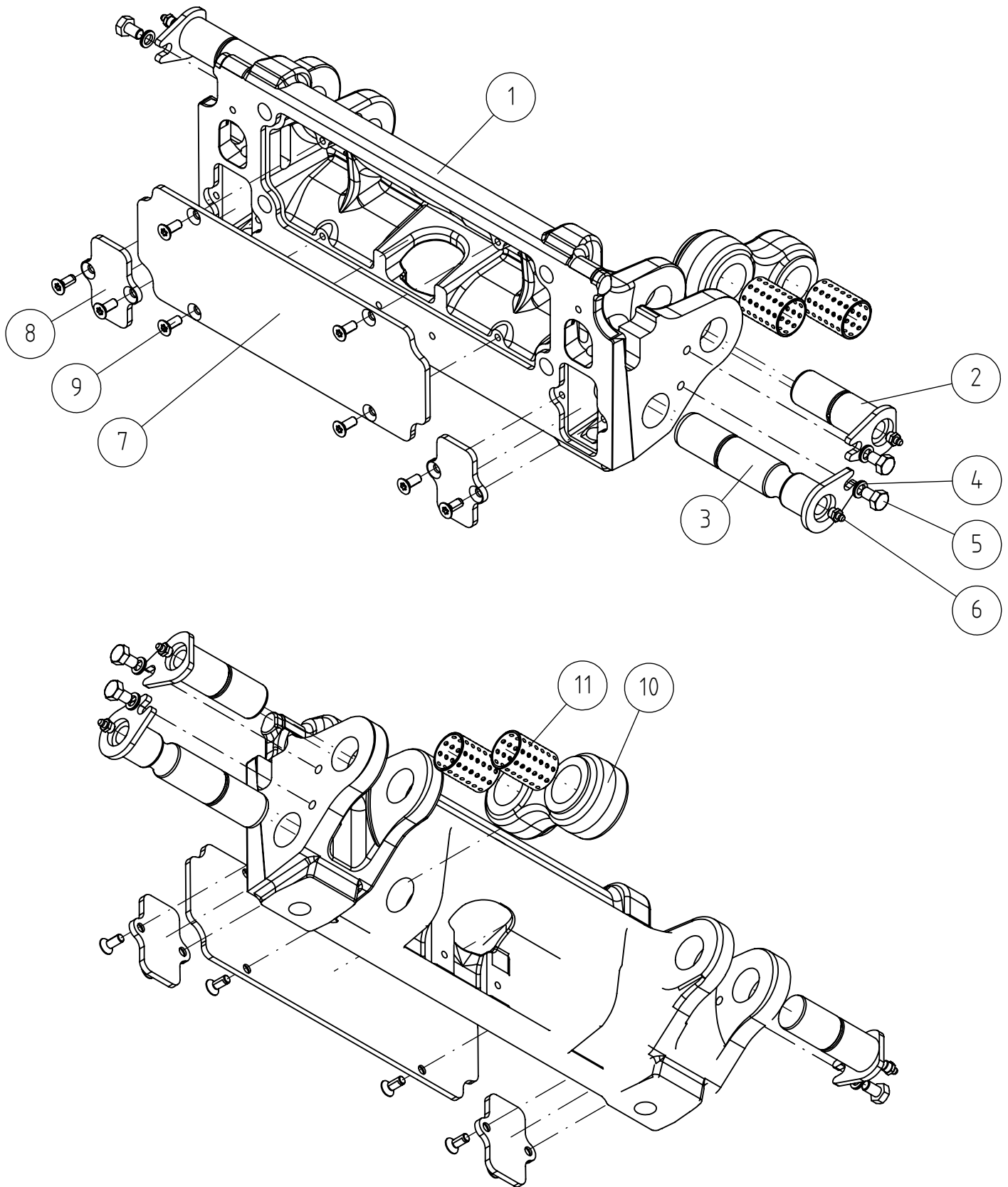
20.12.2023

65252 MULTI CONNECTOR, ON LOADER

REF	PART NO	QTY	DESCRIPTION	NOTES	PAGE
1	65882	1	CAP PLATE, KIT, MULTI CONNECTOR		-
2	65884	1	HANDLE, KIT, MULTI CONNECTOR ON LOADER		-
3	65881	1	QUICK COUPLER, ON MULTI CONNECTOR		-
4	65883	1	SAFETY BUTTON, KIT, MULTI CONNECTOR		-
5	65880	1	SEAL RING, MULTI CONNECTOR SK MF 12		-
6	75035	1	ELECTRIC CONNECTOR FEMININE, FASTER		-

20.12.2023

A436576 ATTACHMENT COUPLING PLATE CAST STEEL



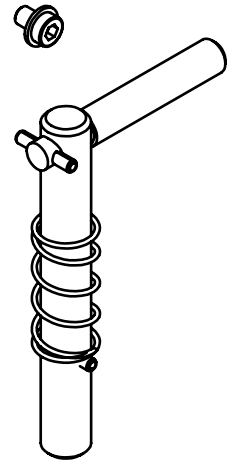
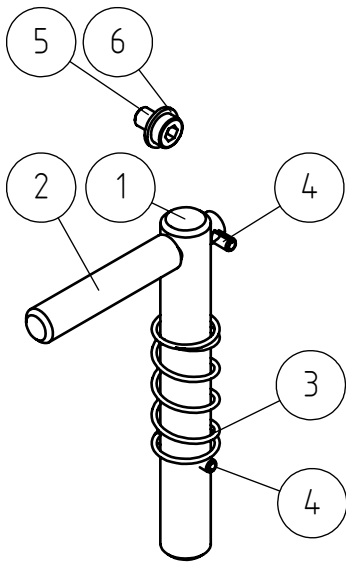
20.12.2023

A436576 ATTACHMENT COUPLING PLATE CAST STEEL

REF	PART NO	QTY	DESCRIPTION	NOTES	PAGE
1	A21749	1	ATTACHMENT COUPLING PLATE CAST STEEL		-
2	A412814	2	PIVOT PIN F35-98		-
3	A427469	1	PIVOT PIN 35-175		-
4	74531	3	SPACER NORDLOCK M10, PAIR		-
5	72147	3	HEXAGONAL SCREW M 10*16 DIN 933		-
6	72798	3	GREASE NIPPLE R 1/8" STRAIGHT		-
7	A427458	1	COVERING PLATE 378X127 ATTACHM COUPL PLA		-
8	A427464	2	COVERING PLATE 87X47 ATTACHM COUPL PLATE		-
9	A441215	8	THREAD-FORMING SCREW M8*20 ISO 14581		-
10	A430010	1	LINKAGE PIECE 500/600 SERIES		-
11	64913	2	SLIDE BEARING BRM-80 F39/F35-50		-

20.12.2023

A436614 LOCKING PIN ASSEMBLY ATTACHM COUPL PLATE



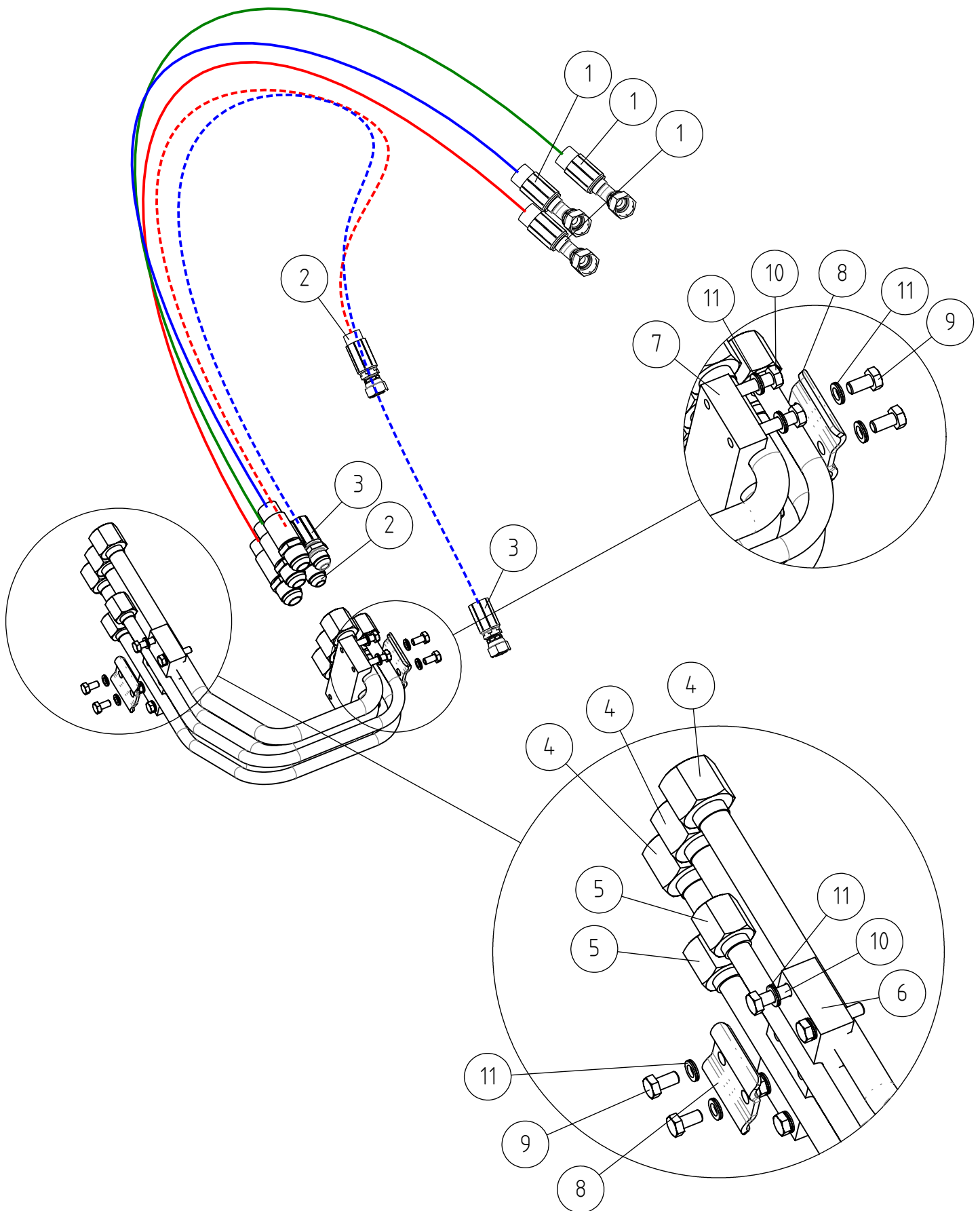
20.12.2023

A436614 LOCKING PIN ASSEMBLY ATTACHM COUPL PLATE

REF	PART NO	QTY	DESCRIPTION	NOTES	PAGE
1	A47687	2	LOCKING PIN F20		-
2	A47688	2	LATCH PIN		-
3	64138	2	COMPRESSION SPRIG DIN 2098 2*25*135		-
4	73661	4	SPRING PIN 5*30 DIN 1481		-
5	74932	2	HEXAGONAL HEAD SCREW M8*12		-
6	73122	2	WASHER M8 A8,4 DIN 125 ZN		-

20.12.2023

A461514 HYDRAULIC TUBES AND HOSES TELESCOPIC



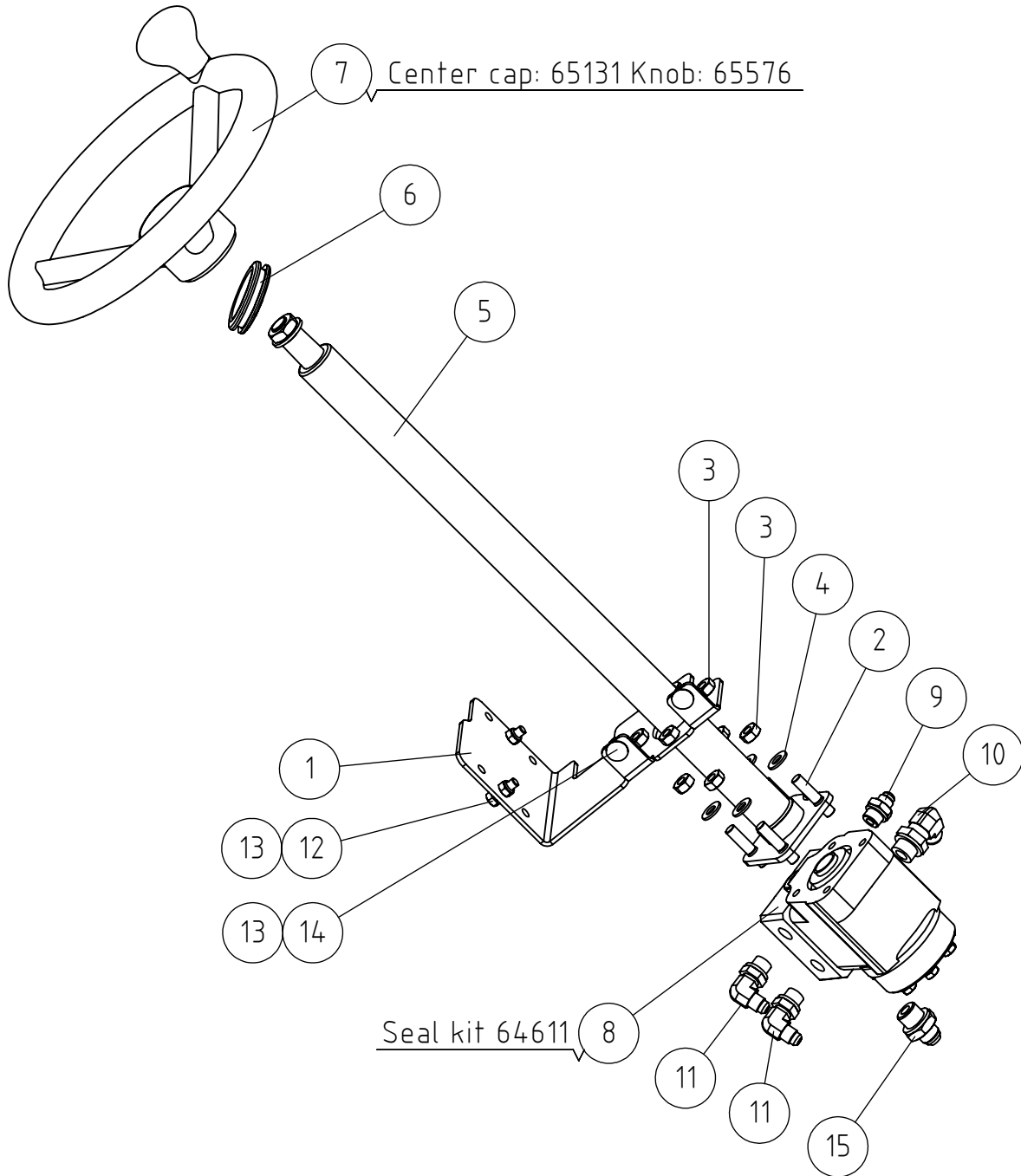
20.12.2023

A461514 HYDRAULIC TUBES AND HOSES TELESCOPIC

REF	PART NO	QTY	DESCRIPTION	NOTES	PAGE
1	A414911	3	HYDR. HOSE L=1150 2LW-08		-
2	A414912	1	HYDR. HOSE L=1250 2LW-06		-
3	A414913	1	HYDR. HOSE L=1550 2LW-06		-
4	A47559	3	HYDRAULIC PIPE F16		-
5	A47560	2	HYDRAULIC PIPE F12		-
6	A47562	1	BRACKET, HYDR.PIPE F16/F12		-
7	A47561	1	BRACKET, HYDR. PIPE F16		-
8	A47563	2	BRACKET, HYDR.PIPE F12		-
9	72116	4	HEXAGONAL SCREW M 6*12 DIN 933 ZN		-
10	73199	8	HEXAGONAL SCREW M6*30 DIN 933		-
11	74530	12	WASHER NORDLOCK NL6		-

20.12.2023

A452574 STEERING COLUMN ASSEMBLY

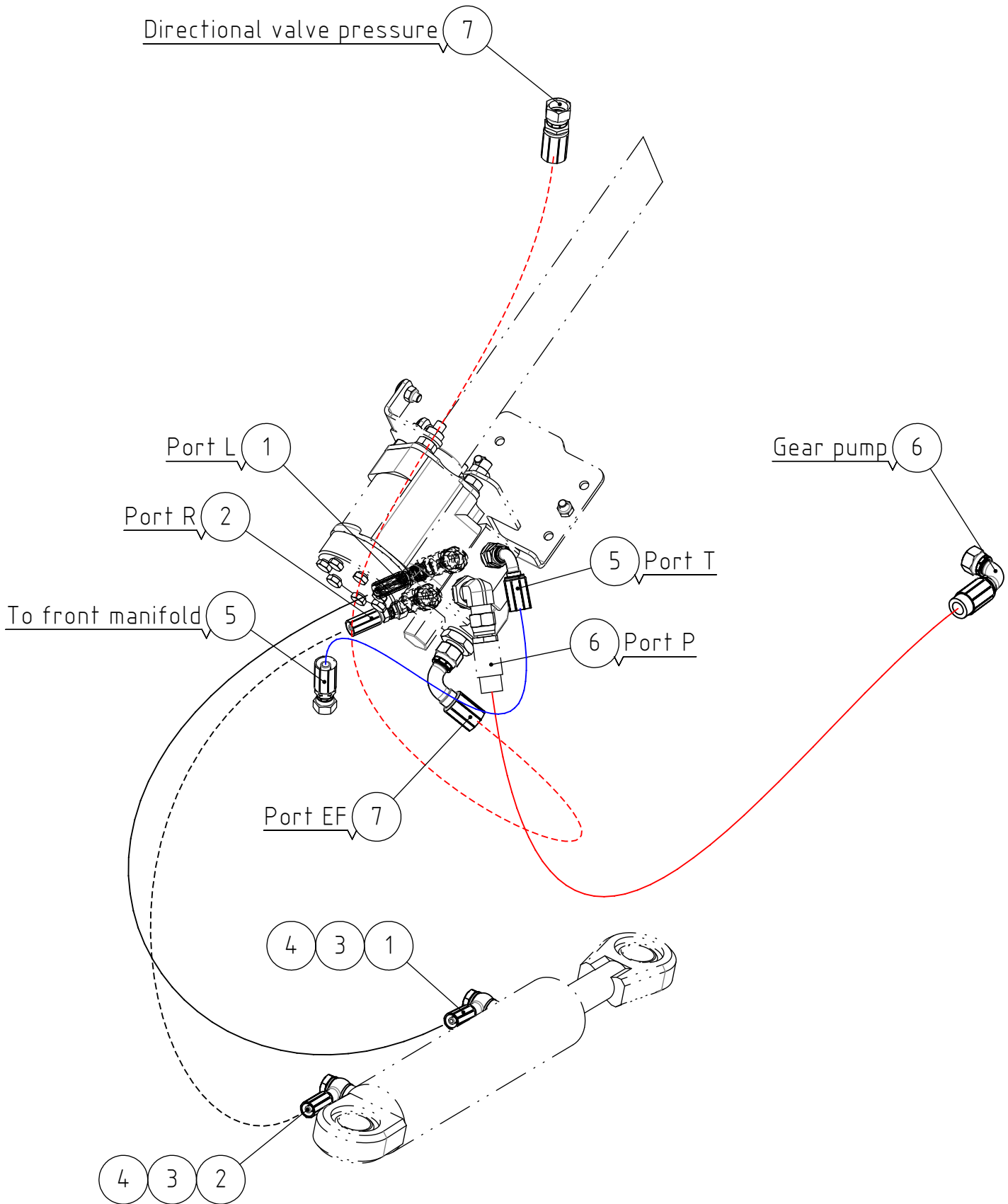


20.12.2023

A452574 STEERING COLUMN ASSEMBLY

REF	PART NO	QTY	DESCRIPTION	NOTES	PAGE
1	A446052	1	BRACKET ORBITROL 500-700 SERIES		-
2	74587	4	STUD M10* 35 DIN 939		-
3	72321	8	HEXAGONAL NUT M10 DIN 934		-
4	73121	4	WASHER M10 A10,5 DIN 125 ZN		-
5	66233	1	STEERING WHEEL ROD M+S KK650 -I		-
6	A428827	1	RUBBER BUSHING STEERING COLUMN		-
7	65076	1	STEERING WHEEL "AVANT" F320		-
7.1	65131	1	CENTER CAP, STEERING WHEEL		-
7.2	65576	1	KNOB, STEERING WHEEL, COBO 0034.1130		-
8	64178	1	CONTROL BLOCK M+S HKUS 80/5-140+PRDD80/7		-
8.1	A430819	1	HEXAGONAL HEAD SCREW M10*1*45 ORBITROL		-
8.2	64611	1	SEAL KIT 41 5137 0130 M+S HKUS ORBITROL		-
8.3	64612	1	SEAL KIT, PRIORITY VALVE / ORBITROL M+S		-
9	64041	1	BASIC FITTING F40XS10-3/8 /8		-
10	64045	1	ELBOW FITTING 90° C40XS12-1/2 /2		-
11	64044	2	ELBOW FITTING 90° C40XS10-3/8 /8		-
12	72132	2	HEXAGONAL SCREW M 8*25 DIN 933 ZN		-
13	72320	4	HEXAGONAL NUT M8 NYLOC DIN 985		-
14	74836	2	CARRIAGE BOLT M8*20		-
15	64058	1	BASIC FITTING F40XS12-1/2		-

A449399 HYDR. HOSES ORBITROL



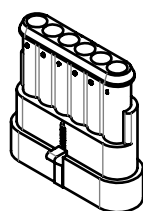
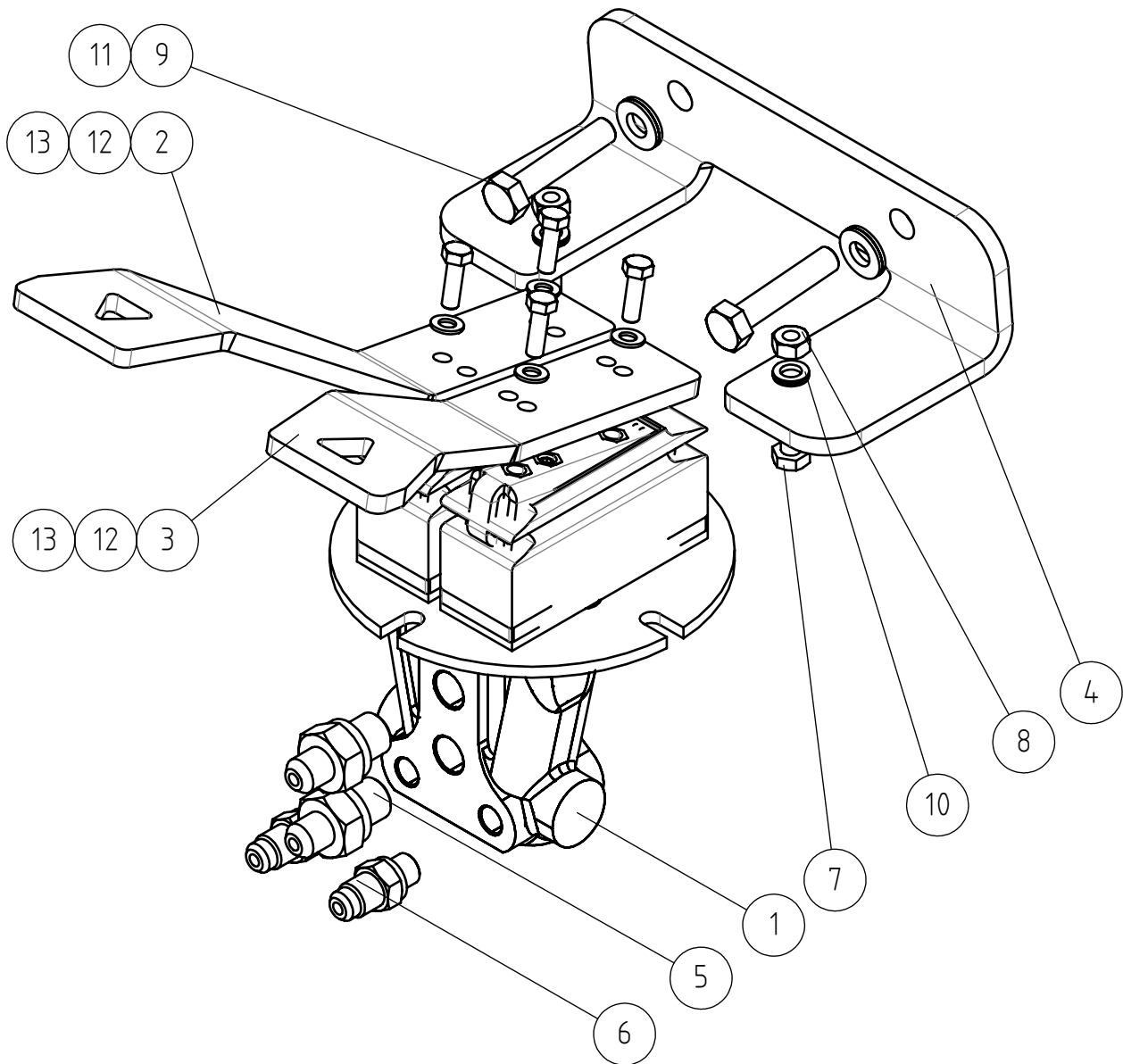
20.12.2023

A449399 HYDR. HOSES ORBITROL

REF	PART NO	QTY	DESCRIPTION	NOTES	PAGE
1	A462712	1	HYDR. HOSE L=1100		-
2	A462714	1	HYDR. HOSE L=850		-
3	64557	2	BANJO BOLT R 1/4"		-
4	73757	4	USIT COMPRESSION R1/4"		-
5	A434556	1	HYDR. HOSE L=500		-
6	A47633	1	HYDR. HOSE L=1110 2LW-08 JIC12-JIC12 90		-
7	A434549	1	HYDR. HOSE L=1450		-

20.12.2023

A440870 DRIVE PEDAL ASSEMBLY 700 SERIES

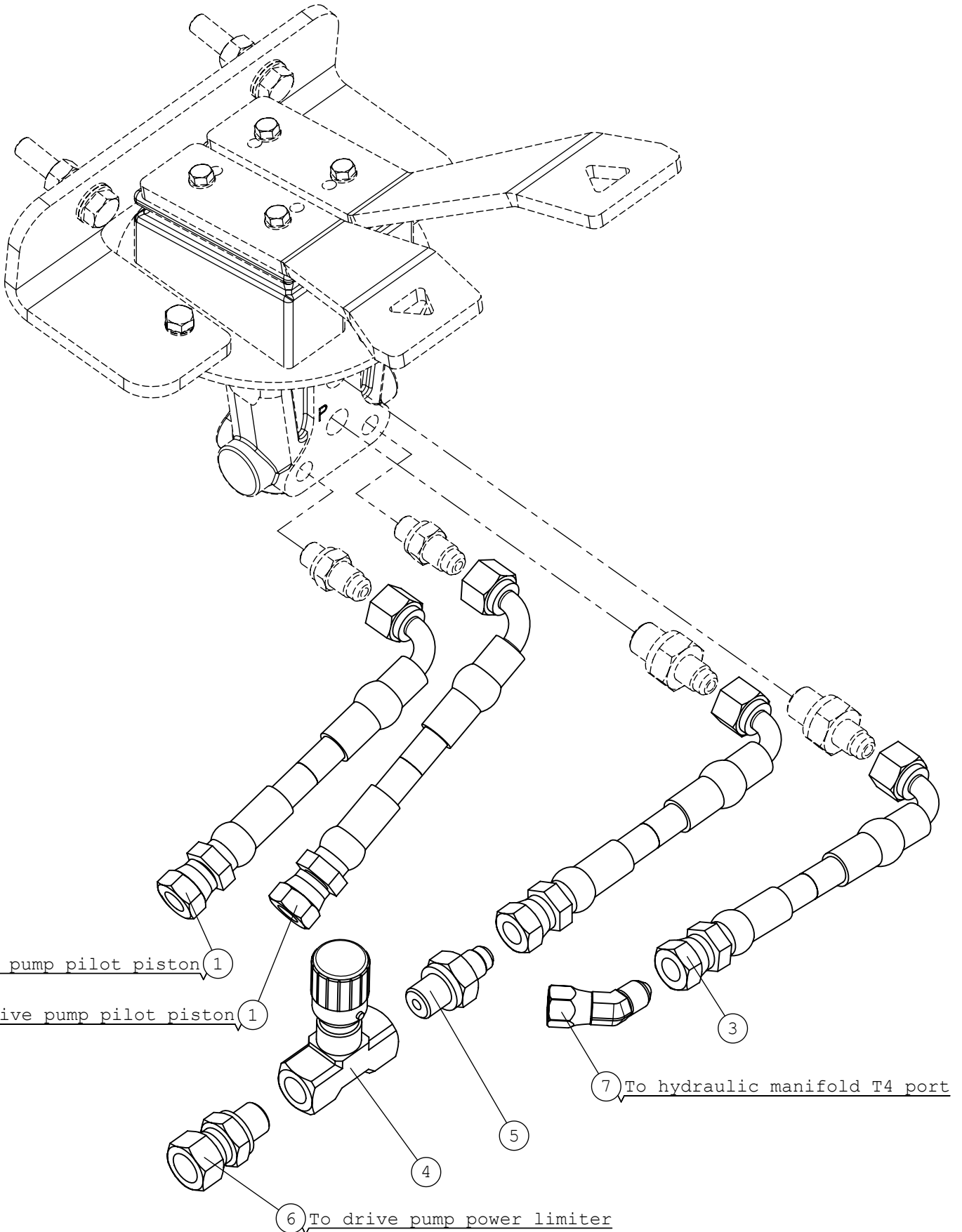


20.12.2023

A440870 DRIVE PEDAL ASSEMBLY 700 SERIES

REF	PART NO	QTY	DESCRIPTION	NOTES	PAGE
1	A432973	1	HYDRAULIC PEDALS 2-16BAR MICROSWITCH 5A		-
1.1	A451022	2	PROTECTIVE RUBBER DRIVE PEDALS		-
1.2	A445449	2	MICROSWITCH 5A WITH WIRE		-
2	A47550	1	DRIVE PEDAL, LEFT		-
3	A47551	1	DRIVE PEDAL, RIGHT		-
4	A47247	1	BRACKET, DRIVE PEDAL		-
5	64678	2	BASIC FITTING F40XS6-1/4"		-
6	64793	2	BASIC FITTING F40XS6-1/8"		-
7	72118	2	HEXAGONAL SCREW M6*20 DIN 933		-
8	72317	2	HEXAGONAL NUT M6 DIN 934		-
9	73222	2	HEXAGONAL SCREW M8*40 DIN 933		-
10	74530	2	WASHER NORDLOCK NL6		-
11	63944	2	WASHER, PAIR, NORD-LOCK M8		-
12	72110	4	HEX. SCREW M5*16 DIN 933		-
13	74448	4	WASHER M5 A5,3 DIN 125 ZN		-

A422190 HYDR. HOSES DRIVE PEDAL 700 SERIES



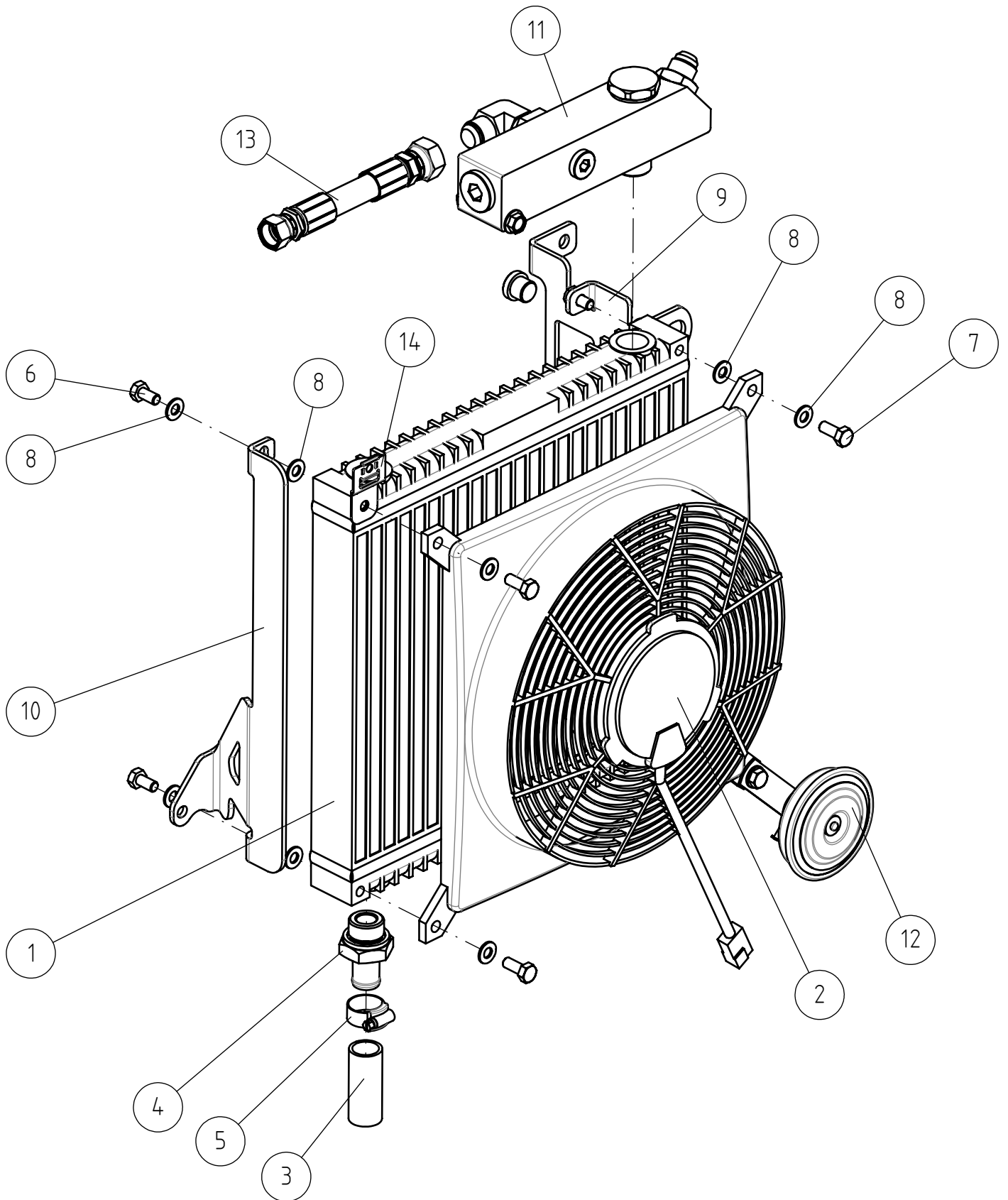
20.12.2023

A422190 HYDR. HOSES DRIVE PEDAL 700 SERIES

REF	PART NO	QTY	DESCRIPTION	NOTES	PAGE
1	A422164	2	HYDR. HOSE L=1240		-
2	A410274	1	HYDR. HOSE L=1120		-
3	A47643	1	HYDR. HOSE L=430 TYPE 087-3/16" JIC6-		-
4	63879	1	CHECK VALVE 9N400S R1/4"-R1/4"		-
5	64678	1	BASIC FITTING F40XS6-1/4"		-
6	64060	1	CONNECTOR NIPPLE F64XS10-1/4		-
7	65587	1	ELBOW FITTING 45° UNF 7/16" JIC		-

20.12.2023

A458427 HYDRAULIC OIL COOLER ASSEMBLY



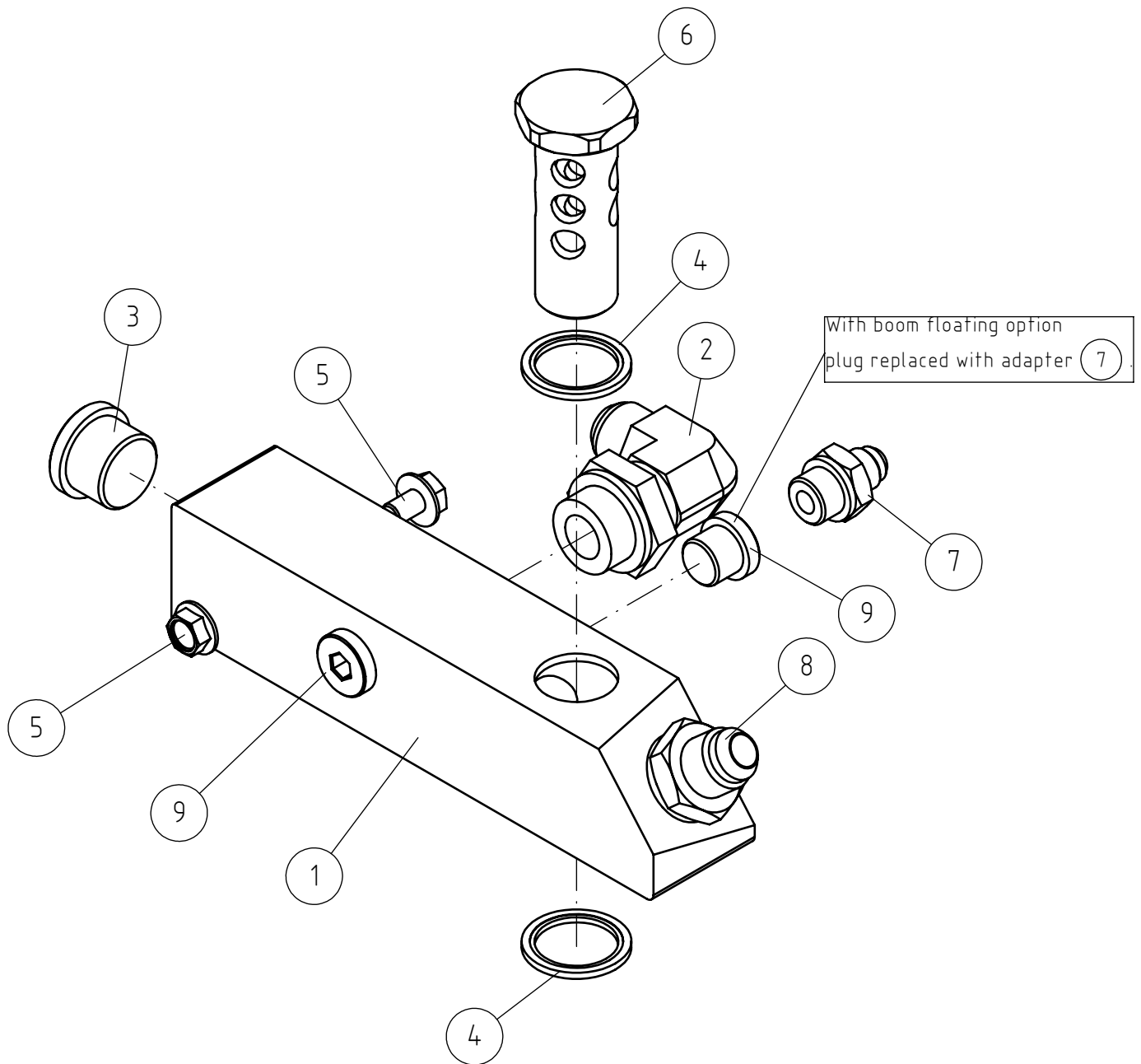
20.12.2023

A458427 HYDRAULIC OIL COOLER ASSEMBLY

REF	PART NO	QTY	DESCRIPTION	NOTES	PAGE
1	64934	1	OIL COOLER CELL ASA 350*350*45		-
2	65568	1	FAN, HYDRAULIC OIL COOLER COMEX F48-		-
3	A49182	1	INLET HOSE D=20 L=550		-
4	66427	1	HOSE BARB R3/4"UK - 20MM		-
5	73530	1	HOSE CLAMP 22-32 MM		-
6	73039	4	HEXAGONAL SCREW M 8*16 DIN 933 ZN		-
7	72130	4	HEXAGONAL SCREW M8*20		-
8	73122	13	WASHER M8 A8,4 DIN 125 ZN		-
9	A446011	1	BRACKET, UPPER, HYDR. OIL COOLER		-
10	A446012	1	BRACKET, LOWER, HYDR. OIL COOLER		-
11	A458426	1	HYDRAULIC MANIFOLD ASSEMBLY TANK LINE		34
12	64157	1	SIGNAL HORN COMPLETE		-
13	A457140	1	HYDR. HOSE L=650		-
14	A451560	1	BRACKET CONNECTOR PLUG		-

20.12.2023

A458426 HYDRAULIC MANIFOLD ASSEMBLY TANK LINE

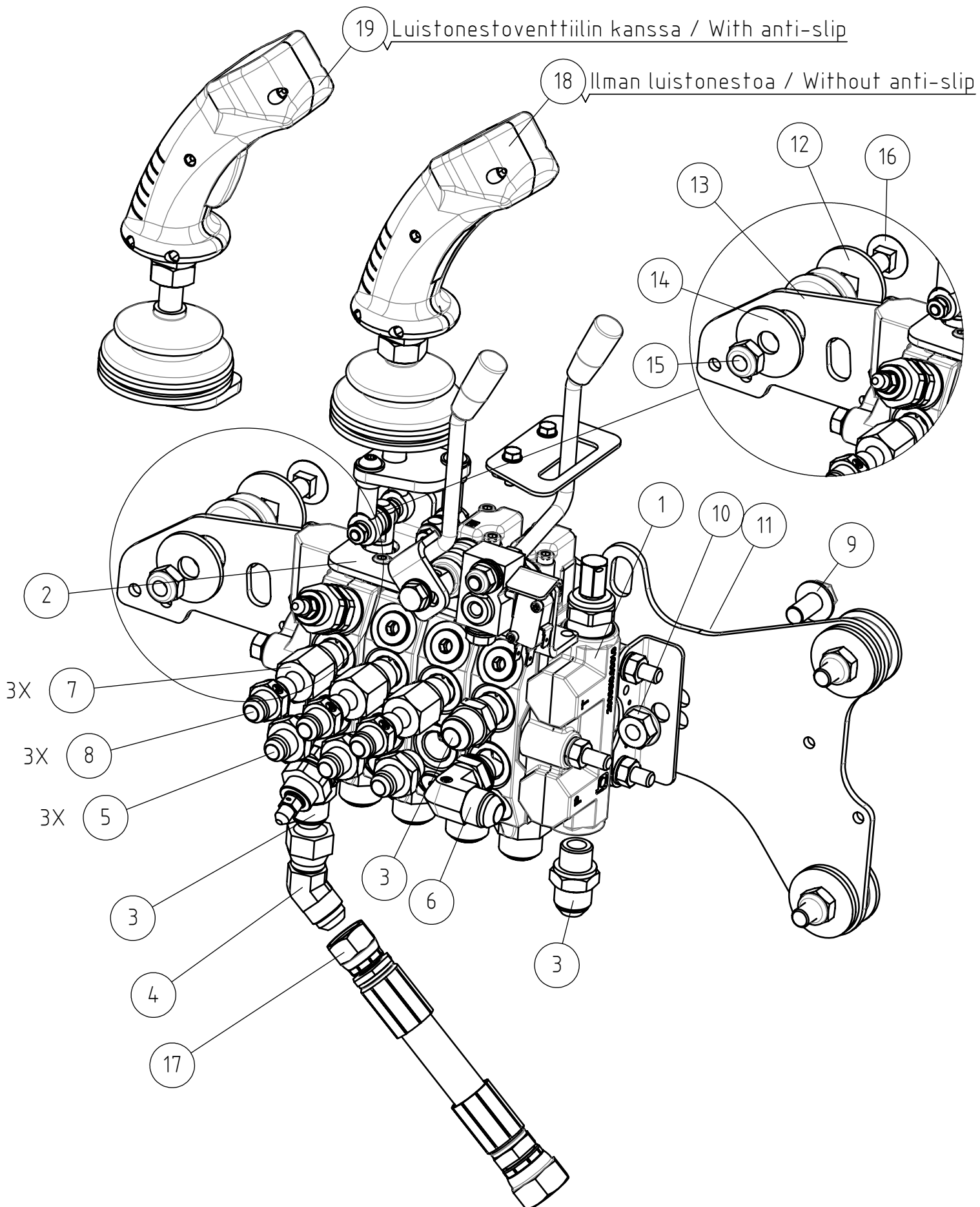


20.12.2023

A458426 HYDRAULIC MANIFOLD ASSEMBLY TANK LINE

REF	PART NO	QTY	DESCRIPTION	NOTES	PAGE
1	A449626	1	HYDRAULIC MANIFOLD TANK LINE		-
2	64693	1	ELBOW FITTING 90 DEGR. C40XS16-3/4"		-
3	73768	1	HEXAGONAL PLUG HF-3/4" WITH SEAL		-
4	74976	2	SEAL USIT R3/4" F35,3*F27,0*2,0		-
5	A429197	2	HEXAGONAL SERRATED SCREW M8*12 W. FLANGE		-
6	A449633	1	BANJO BOLT R3/4" TANK LINE		-
7	64041	1	BASIC FITTING F40XS10-3/8 /8		-
8	65060	1	BASIC FITTING F40XS16-1/2		-
9	74411	2	HEXAGONAL PLUG HF 3/8" HTUNG		-

A460843 CONTROL VALVE HDS11 ASSEMBLY MANUAL



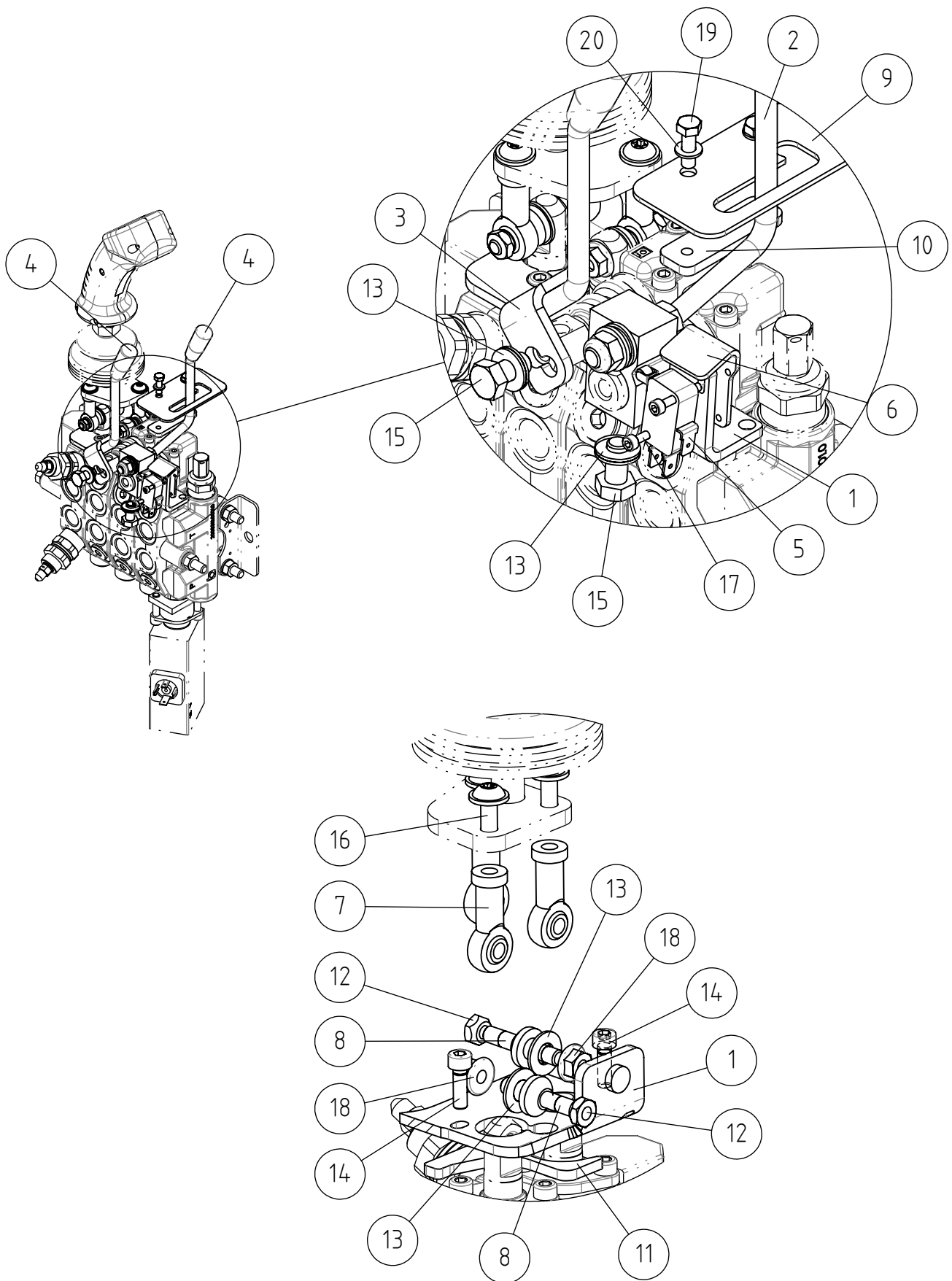
20.12.2023

A460843 CONTROL VALVE HDS11 ASSEMBLY MANUAL

REF	PART NO	QTY	DESCRIPTION	NOTES	PAGE
1	A453635	1	CONTROL VALVE HDS 11/4 MANUAL		-
2	A460740	1	CONTROL LEVERS & JOINTS HDS11 ASSEMBLY		38
3	64042	3	BASIC FITTING F40XS12-3/8 /8		-
4	64884	1	ELBOW FITTING 45 DEGR. V6SX12		-
5	64041	3	BASIC FITTING F40XS10-3/8 /8		-
6	64068	1	ELBOW FITTING 90 DEGR. C40XS12-3/8 /8		-
7	64324	3	REDUCER FITTING RI 3/8"-EDX 1/4"		-
8	64059	3	BASIC FITTING F40XS10-1/4		-
9	A432196	2	HEXAGONAL SERRATED SCREW M10*20 W. FLANG		-
10	74783	2	HEXAGONAL NUT M10 WITH FLANGE		-
11	A457134	1	MOUNTING PLATE CONTROL VALVE HDS11		-
12	A431029	3	SPACER 3MM		-
13	A431033	3	VIBRATION DAMPER SCBR 45SH		-
14	A431034	3	WASHER Ø38/12,5, S=3 SCBR 38		-
15	72322	3	HEXAGONAL NUT M 10 NYLOC DIN 985		-
16	A437458	3	CARRIAGE BOLT M10*50 DIN603		-
17	A457140	1	HYDR. HOSE L=650		-
18	A460791	1	JOYSTICK MANUAL ASSEMBLY		40
19*	A424267	1	JOYSTICK STANDARD WITH ANTI SLIP SWITCH	trigger only	-
19**	A423576	1	JOYSTICK 6 FUNCTION WITH ANTI SLIP	Two buttons + trigger	-
19.1	65406	1	PUSHBUTTON, RED, AUX. HYDR. JOYSTICK		-
19.2	65407	1	PUSHBUTTON, BLUE, JOYSTICK, AUX. HYDR.		-

20.12.2023

A460740 CONTROL LEVERS & JOINTS HDS11 ASSEMBLY



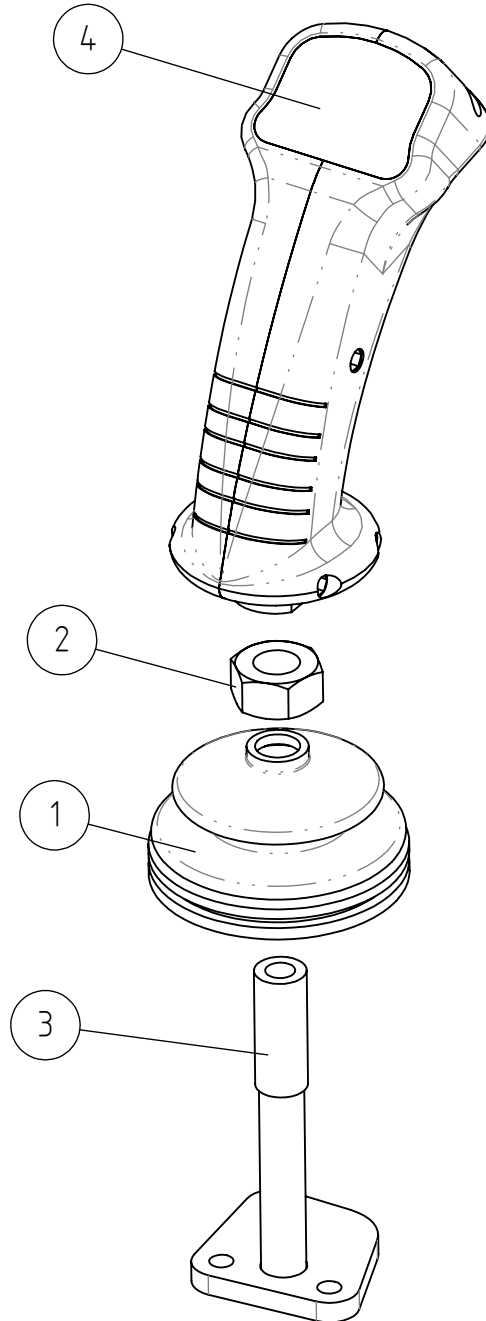
20.12.2023

A460740 CONTROL LEVERS & JOINTS HDS11 ASSEMBLY

REF	PART NO	QTY	DESCRIPTION	NOTES	PAGE
1	A460443	1	BRACKET 400-500 SERIES		-
2	A458893	1	CONTROL LEVER ASSEMBLY EXTRA FRONT HYDR.		-
3	A457107	1	CONTROL LEVER TELEBOOM		-
4	74761	2	KNOB, CONTROL LEVER		-
5	64504	1	MICROSWITCH		-
6	A449831	1	TIGHTENING PLATE MICROSWITCH		-
7	65501	3	ROD END JAF 6		-
8	A41821	2	PIN, CONTROL LEVERS		-
9	A441528	1	LOCKING PLATE CONTROL LEVER AUXILIARY		-
10	A48360	1	LOCKING PIECE		-
11	A462106	1	SUPPORT PLATE CONTROL LEVERS		-
12	A41822	2	LEVERAGE NUT M 6		-
13	63944	3	WASHER, PAIR, NORD-LOCK M8		-
14	74472	2	HEXAGONAL HEAD SCREW M 5*16 DIN 912 ZN		-
15	73039	2	HEXAGONAL SCREW M 8*16 DIN 933 ZN		-
16	A442149	3	THREAD-FORMING SCREW M6*16 BN219-8.8		-
17	A435740	2	HEXAGONAL HEAD SCREW M3*20 DIN 912		-
18	A452923	2	HEXAGONAL NUT M6 DIN 6923		-
19	72110	2	HEX. SCREW M5*16 DIN 933		-
20	74448	2	WASHER M5 A5,3 DIN 125 ZN		-

20.12.2023

A460791 JOYSTICK MANUAL ASSEMBLY



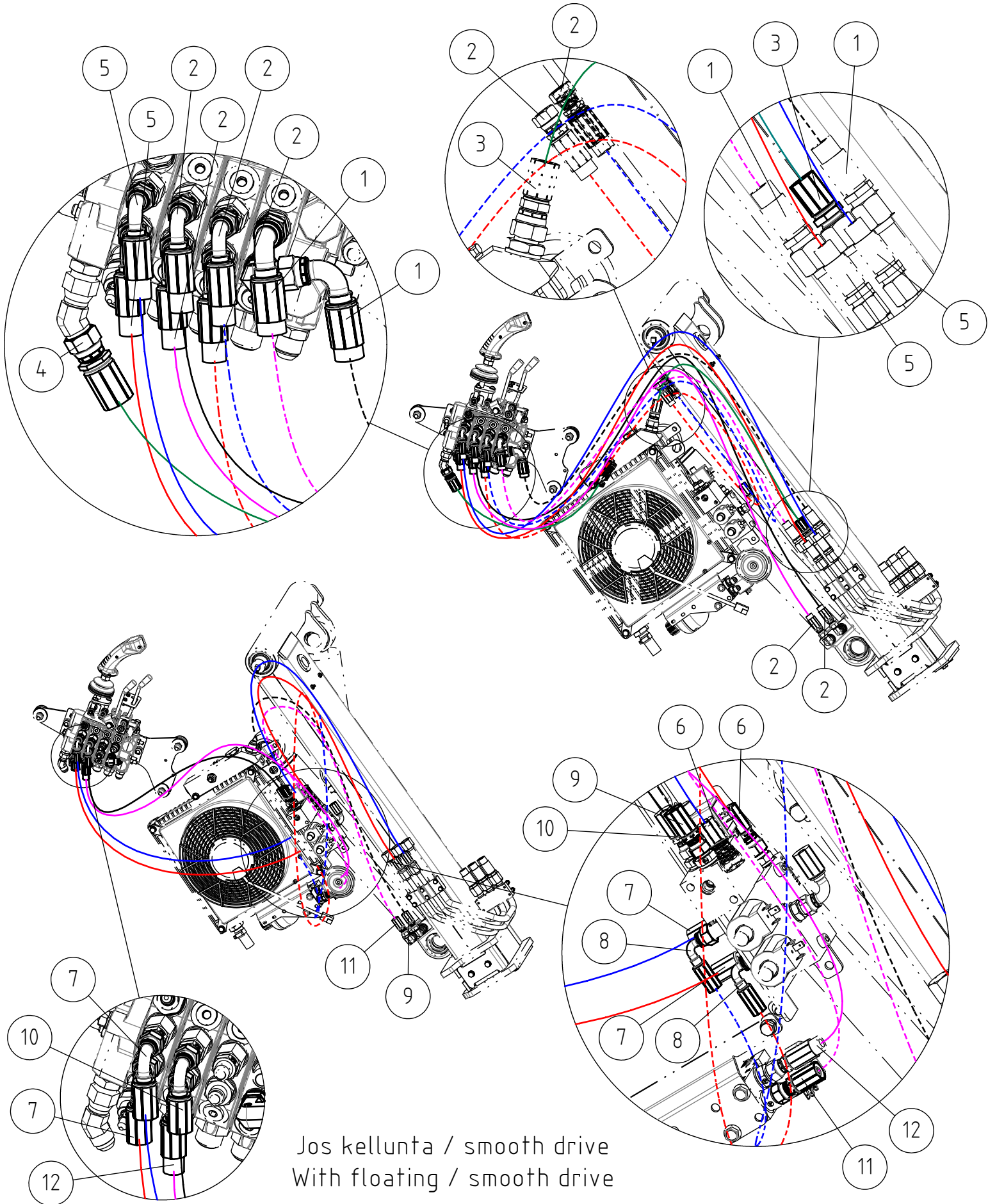
20.12.2023

A460791 JOYSTICK MANUAL ASSEMBLY

REF	PART NO	QTY	DESCRIPTION	NOTES	PAGE
1	74327	1	RUBBER COVER, CONTROL LEVER, F12/56*40		-
2	74676	1	HEXAGONAL NUT M 14*1,5 DIN 934 ZN		-
3	A410614	1	BRACKET ROD, CONTROL LEVER		-
4	A410556	1	JOYSTICK HANDLE HB000		-

20.12.2023

A461285 HYDRAULIC HOSES CONTROL VALVE - BOOM



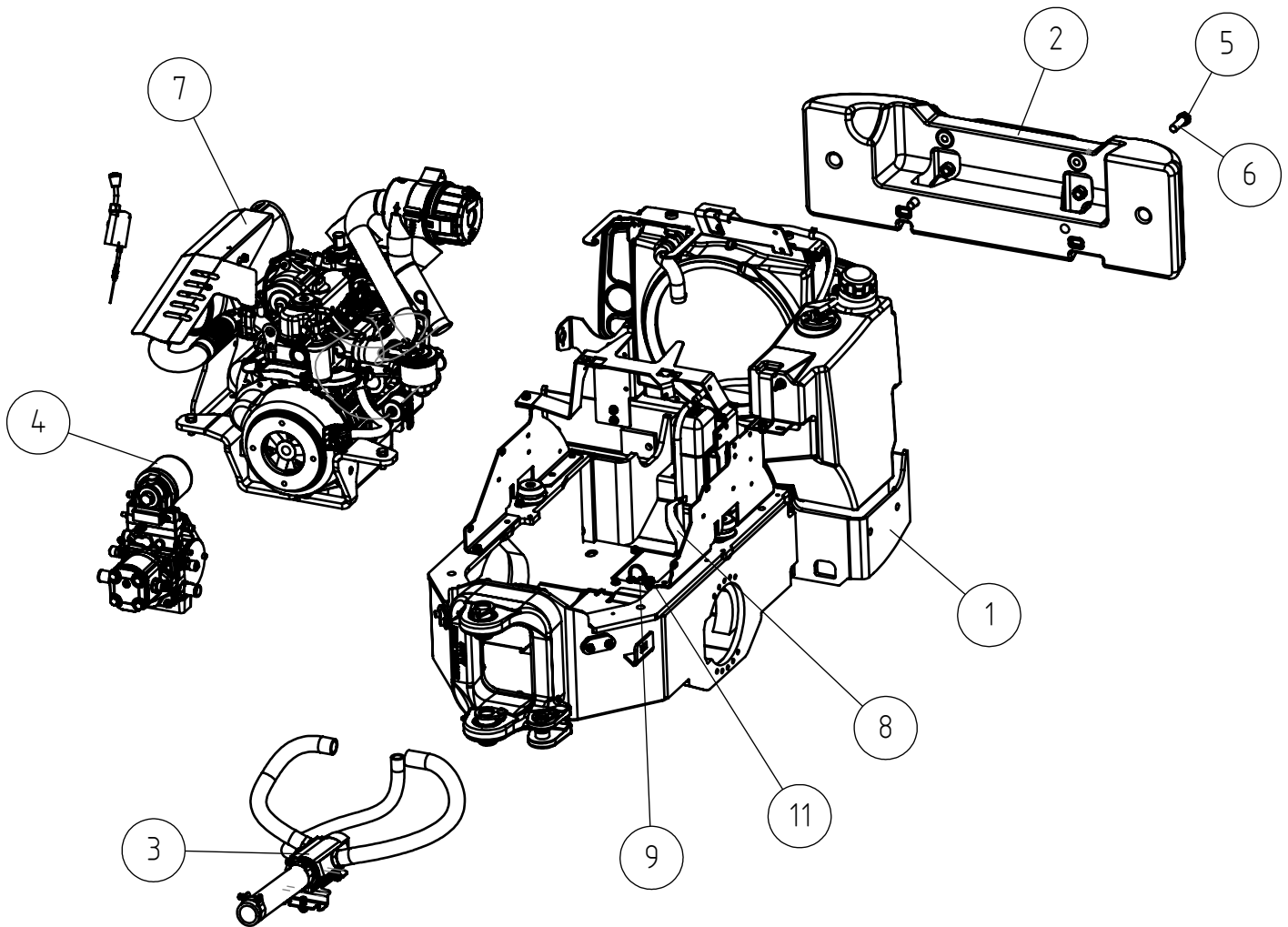
20.12.2023

A461285 HYDRAULIC HOSES CONTROL VALVE - BOOM

REF	PART NO	QTY	DESCRIPTION	NOTES	PAGE
1	A414729	2	HYDR. HOSE L=1700		-
2	A47635	4	HYDR. HOSE L=1720 2LW-06		-
3	A446841	1	HYDR. HOSE L=820		-
4	A457140	1	HYDR. HOSE L=650		-
5	A47638	2	HYDR. HOSE L=1610 2LW-06		-
6	A456237	2	HYDR. HOSE L=1150		-
7	A456235	2	HYDR. HOSE L=930		-
8	A450417	2	HYDR. HOSE L=1250		-
9	A450402	1	HYDR. HOSE L=1270		-
10	A445095	1	HYDR. HOSE L=880		-
11	A446813	1	HYDR. HOSE L=1650		-
12	A414045	1	HYDR. HOSE L=1300		-

20.12.2023

A462351 REAR FRAME ASSEMBLY 523



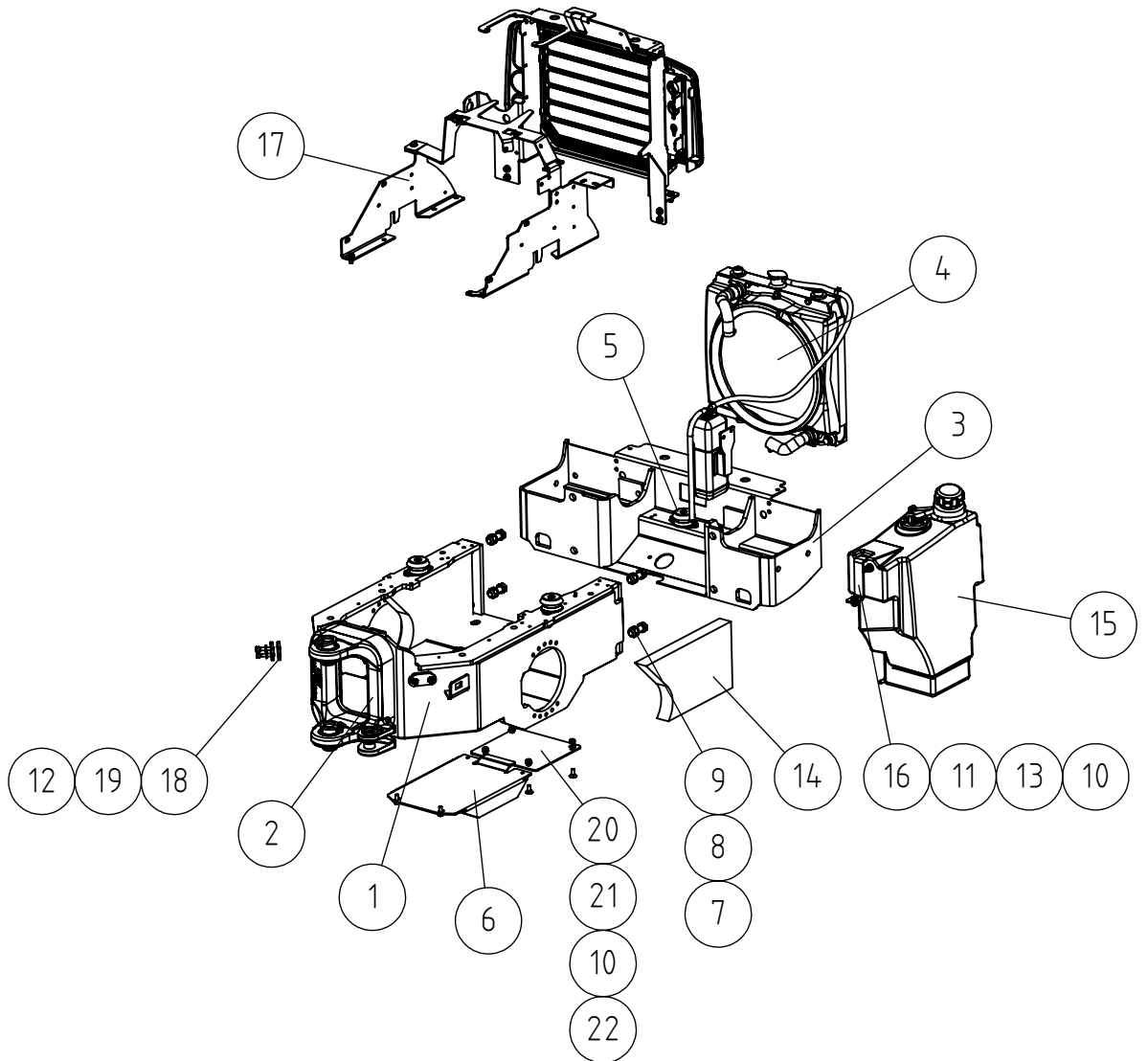
20.12.2023

A462351 REAR FRAME ASSEMBLY 523

REF	PART NO	QTY	DESCRIPTION	NOTES	PAGE
1	A21740	1	REAR FRAME		46
2	A36909	1	REAR WEIGHT (BUMPER) 160 KG, ASSEMBLY		56
3	A455492	1	HYDRAULIC MANIFOLD ASSEMBLY 520 / 523		58
4	A431698	1	HYDRAULIC PUMPS ASSEMBLY 523 OPTIDRIVE		60
5	74533	2	WASHER, PAIR, M16 NL16 NORDLOCK		-
6	72193	2	HEXAGONAL SCREW M16* 50 DIN 933		-
7	A461630	1	ENGINE ASSEMBLY D902 / 523		62
8	A458548	1	MOUNTING BRACKET CONNECTOR		-
9	A442641	1	CABLE TIE 7,6*390 M8 BLACK		-
10	A450046	1	HEXAGONAL NUT M8 WITH FLANGE		-
11	A429200	1	HEXAGONAL SERRATED SCREW M8*16 WITH FLAN		-

20.12.2023

A21740 REAR FRAME



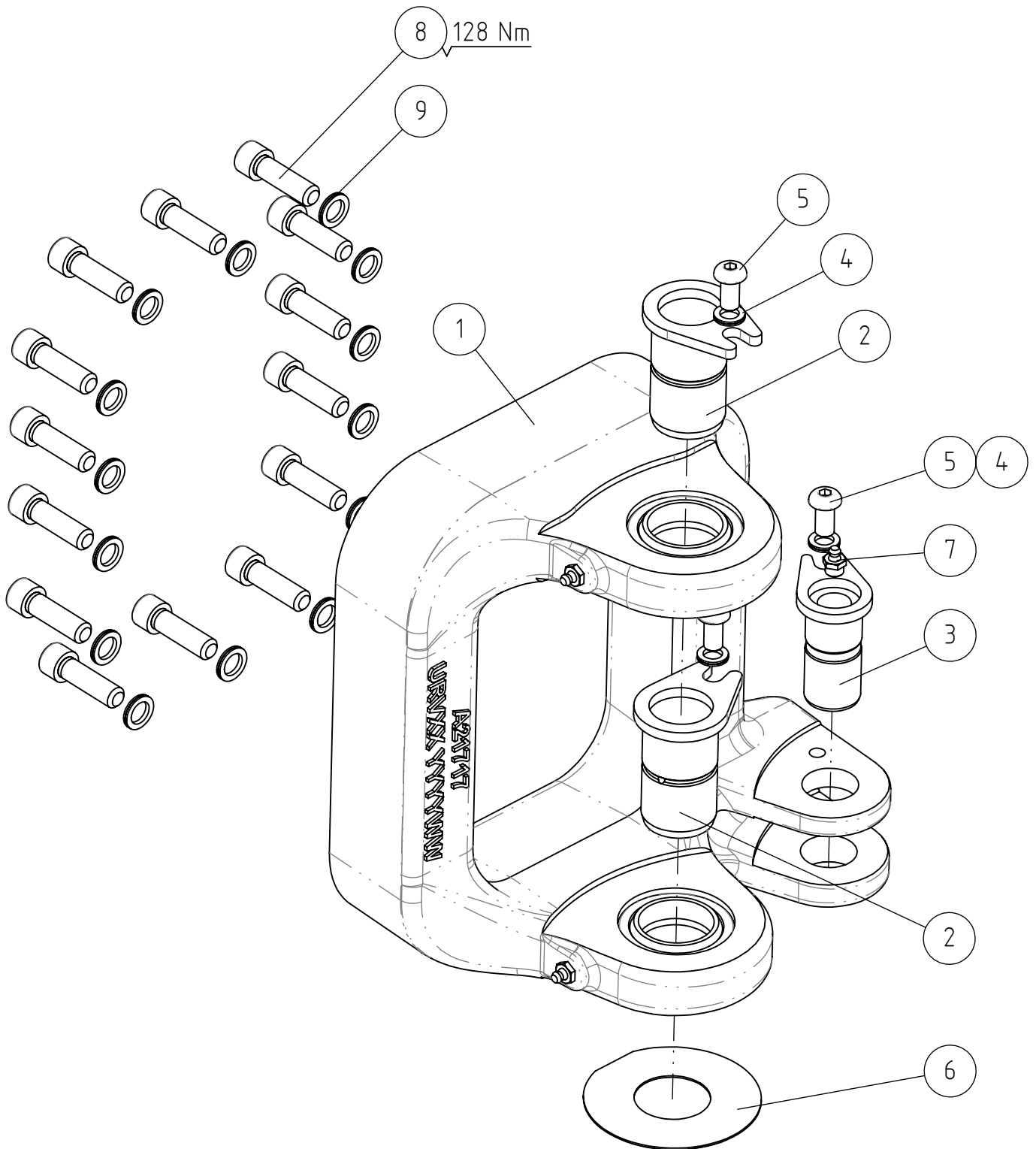
20.12.2023

A21740 REAR FRAME

REF	PART NO	QTY	DESCRIPTION	NOTES	PAGE
1	A434401	1	REAR FRAME, FRONT PART ASSEMBLY		-
2	A37449	1	ARTICULATION JOINT ASSEMBL REAR FRAME		48
3	A37342	1	BACK FRAME, MIDDLE PART		-
4	A422702	1	RADIATOR 423/523, D902, ASSEMBLY		50
5	64843	3	ENGINE MOUNT NOVIBRA M12 - 2*F8,5		-
6	A446658	1	SERVICE HATCH 400-700 SERIES		-
7	72193	4	HEXAGONAL SCREW M16* 50 DIN 933		-
8	74533	8	WASHER, PAIR, M16 NL16 NORDLOCK		-
9	72329	4	HEXAGONAL NUT M 16 DIN 934		-
10	73122	8	WASHER M8 A8,4 DIN 125 ZN		-
11	72130	6	HEXAGONAL SCREW M8*20		-
12	63944	9	WASHER, PAIR, NORD-LOCK M8		-
13	72319	3	HEXAGONAL NUT M8 DIN 934		-
14	A423127	2	NOISE INSULATION PLATE, REAR FRAME		-
15	A48669	1	FUEL TANK 20 L, COMPLETE		52
16	A49560	1	MOUNTING BRACKET, FUEL TANK 20L		-
17	A37475	1	MOUNTING BRACKETS, COVER PLATES REAR CHA		54
18	A442049	4	STOP PLATE STEERING		-
19	74918	4	HEXAGONAL HEAD SCREW M8*40 DIN 912		-
20	A451009	1	SERVICE HATCH REAR FRAME 423/523		-
21	74836	4	CARRIAGE BOLT M8*20		-
22	72320	4	HEXAGONAL NUT M8 NYLOC DIN 985		-

20.12.2023

A37449 ARTICULATION JOINT ASSEMBL REAR FRAME



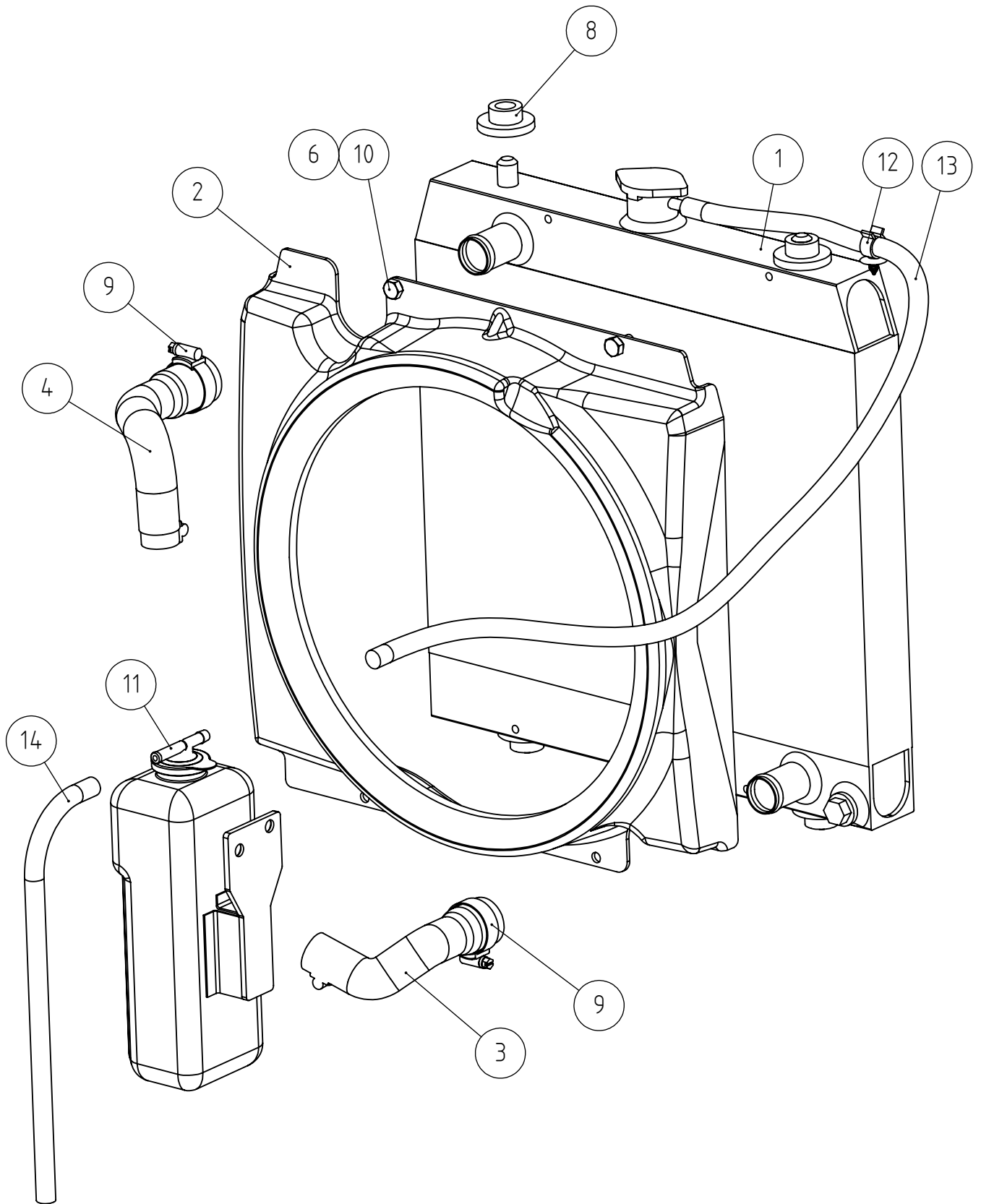
20.12.2023

A37449 ARTICULATION JOINT ASSEMBL REAR FRAME

REF	PART NO	QTY	DESCRIPTION	NOTES	PAGE
1	A444363	1	ARTICULATION JOINT CAST STEEL, ASSEMBLY		-
1.1	64911	2	ARTICUL. BEARING GE40ES F62/40-28(22)		-
2	A47043	2	PIVOT PIN F40-63		-
3	A47655	1	PIVOT PIN F30-60		-
4	74531	3	SPACER NORDLOCK M10, PAIR		-
5	A437915	3	HEXAGONAL HEAD SCREW M10*20 10.9 2		-
6	A48263	1	SHIM RING S=1 MM, ARTICULATION JOINT		-
7	72798	1	GREASE NIPPLE R 1/8" STRAIGHT		-
8	A437018	14	HEXAGONAL HEAD SCREW M12*40 12.9		-
9	74532	14	WASHER NORDLOCK NL12		-

20.12.2023

A422702 RADIATOR 423/523, D902, ASSEMBLY



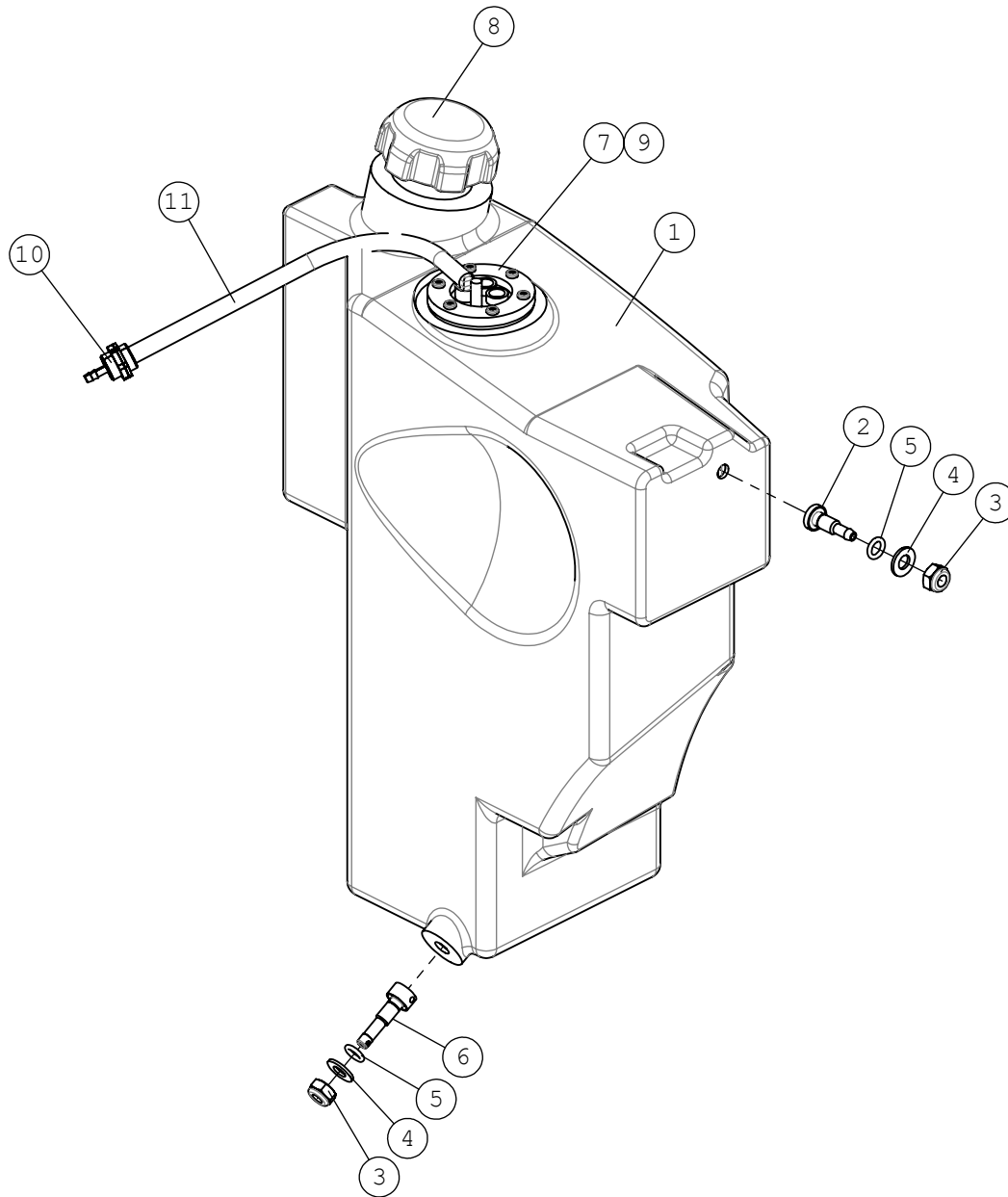
20.12.2023

A422702 RADIATOR 423/523, D902, ASSEMBLY

REF	PART NO	QTY	DESCRIPTION	NOTES	PAGE
1	A422612	1	RADIATOR D902		-
1.1	A436407	1	CAP, RADIATOR 0.9BAR		-
2	A442893	1	WIND TUNNEL 423/523		-
3	A415803	1	RADIATOR HOSE LOWER		-
4	A415802	1	RADIATOR HOSE UPPER		-
5	73039	1	HEXAGONAL SCREW M 8*16 DIN 933 ZN		-
6	74530	2	WASHER NORDLOCK NL6		-
7	73530	2	HOSE CLAMP 22-32 MM		-
8	A420381	4	VIBRATION DAMPER RUBBER RADIATOR		-
9	73809	2	HOSE CLAMP 32-44 MM		-
10	75000	1	HEXAGONAL SCREW M8*10 DIN 933		-
11	65067	1	OVERFLOW TANK 1,30 L RADIATOR KUBOTA		-
12	A428260	1	PIPE CLIP D13-D14		-
13	A428264	1	FUEL HOSE L=900		-
14	A422532	1	FUEL HOSE L=350		-

20.12.2023

A48669 FUEL TANK 20 L, COMPLETE



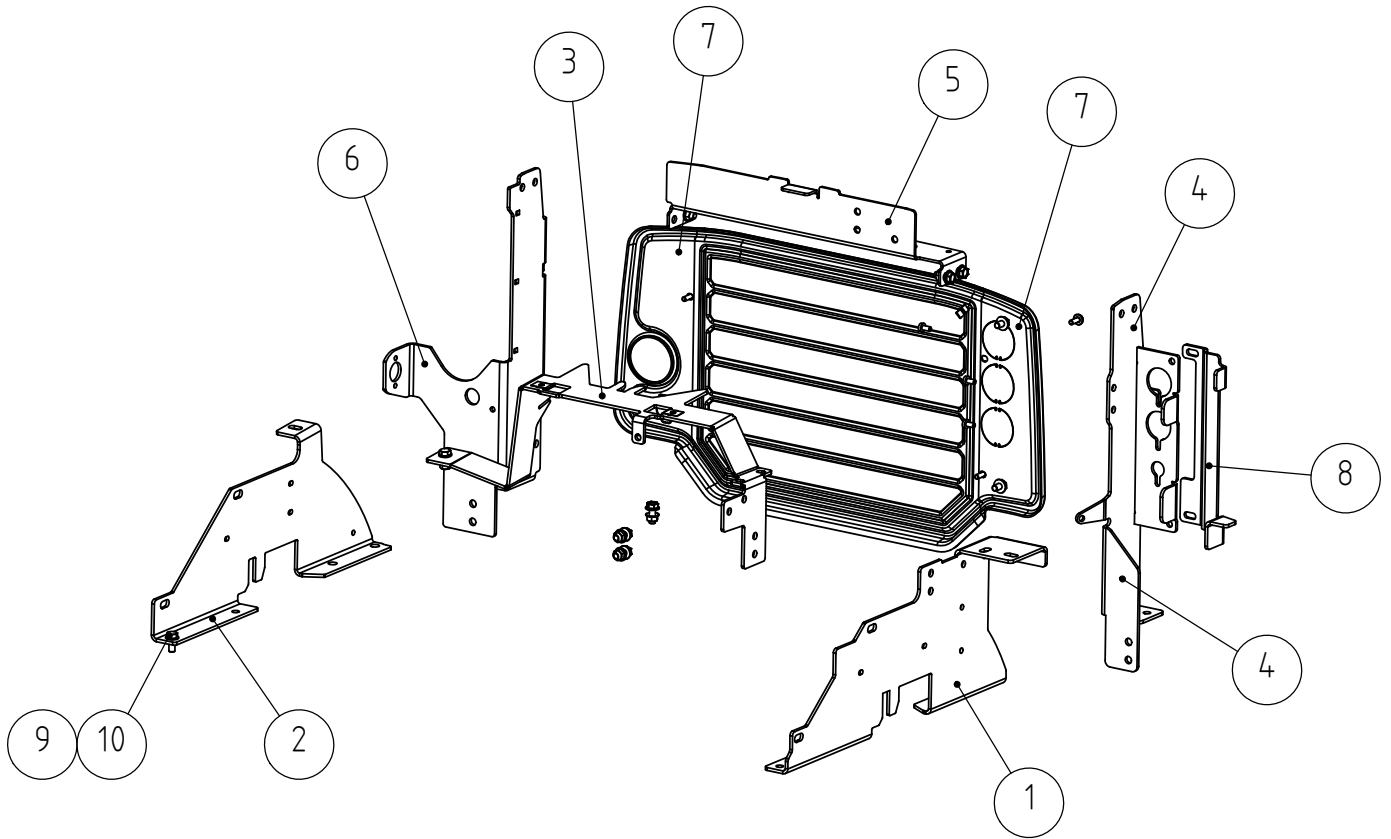
20.12.2023

A48669 FUEL TANK 20 L, COMPLETE

REF	PART NO	QTY	DESCRIPTION	NOTES	PAGE
1	A48676	1	FUEL TANK 20 LITRES		-
2	A43531	1	NIPPLE F7MM		-
3	72322	2	HEXAGONAL NUT M 10 NYLOC DIN 985		-
4	73121	2	WASHER M10 A10,5 DIN 125 ZN		-
5	74774	2	O-RING NBR F 10*3		-
6	A431880	1	NIPPLE 7,9MM FUEL TANK		-
7	65088	1	SENSOR, FUEL GAUGE		-
7.1	A435545	1	SEAL RING FUEL SENSOR 72/48-5		-
8	66313	1	FUEL TANK CAP		-
9	75130	6	THREAD-FORMING SCREW M5*25		-
10	A422526	1	CHECK VALVE FUEL TANK		-
11	A422532	1	FUEL HOSE L=350		-

20.12.2023

A37475 MOUNTING BRACKETS, COVER PLATES REAR CHA



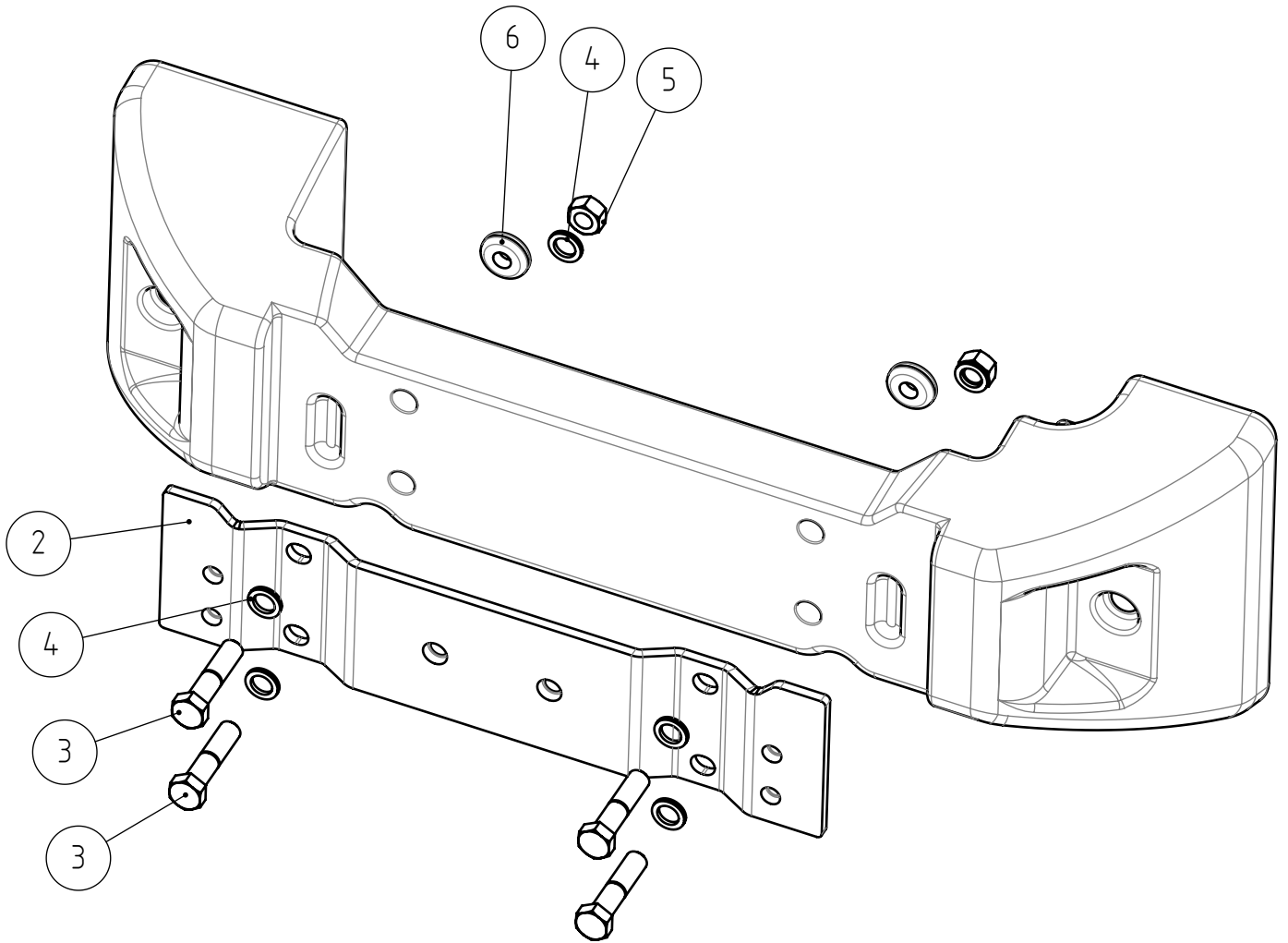
20.12.2023

A37475 MOUNTING BRACKETS, COVER PLATES REAR CHA

REF	PART NO	QTY	DESCRIPTION	NOTES	PAGE
1	A414852	1	SIDE PLATE, LEFT		-
2	A414919	1	SIDE PLATE, RIGHT		-
3	A444467	1	MOUNTING BRACKET FUEL FILTER & COVER		-
4	A423202	1	FRAME, LEFT		-
5	A425000	1	BRACKET, UPPER		-
6	A423201	1	FRAME, RIGHT		-
7	A423004	1	REAR GRILLE 420-523		-
8	A423027	1	BRACKET, FUEL TANK		-
9	73122	3	WASHER M8 A8,4 DIN 125 ZN		-
10	72130	2	HEXAGONAL SCREW M8*20		-
11	72319	1	HEXAGONAL NUT M8 DIN 934		-
12	74807	2	SPEED NUT M6, FOR 0.5-4.0 MM PLATE		-
13	74768	4	WASHER CONICAL M6		-
14	74767	4	RAISED COUNTERSUNK HEAD SCREW M6*20		-
15	A444170	3	THREAD-FORMING SCREW M6*12 DIN 7500CE		-
16	A429197	2	HEXAGONAL SERRATED SCREW M8*12 W. FLANGE		-
17	A450046	9	HEXAGONAL NUT M8 WITH FLANGE		-
18	A429201	9	HEXAGONAL SERRATED SCREW M8*20 WITH FLAN		-

20.12.2023

A36909 REAR WEIGHT (BUMPER) 160 KG, ASSEMBLY



20.12.2023

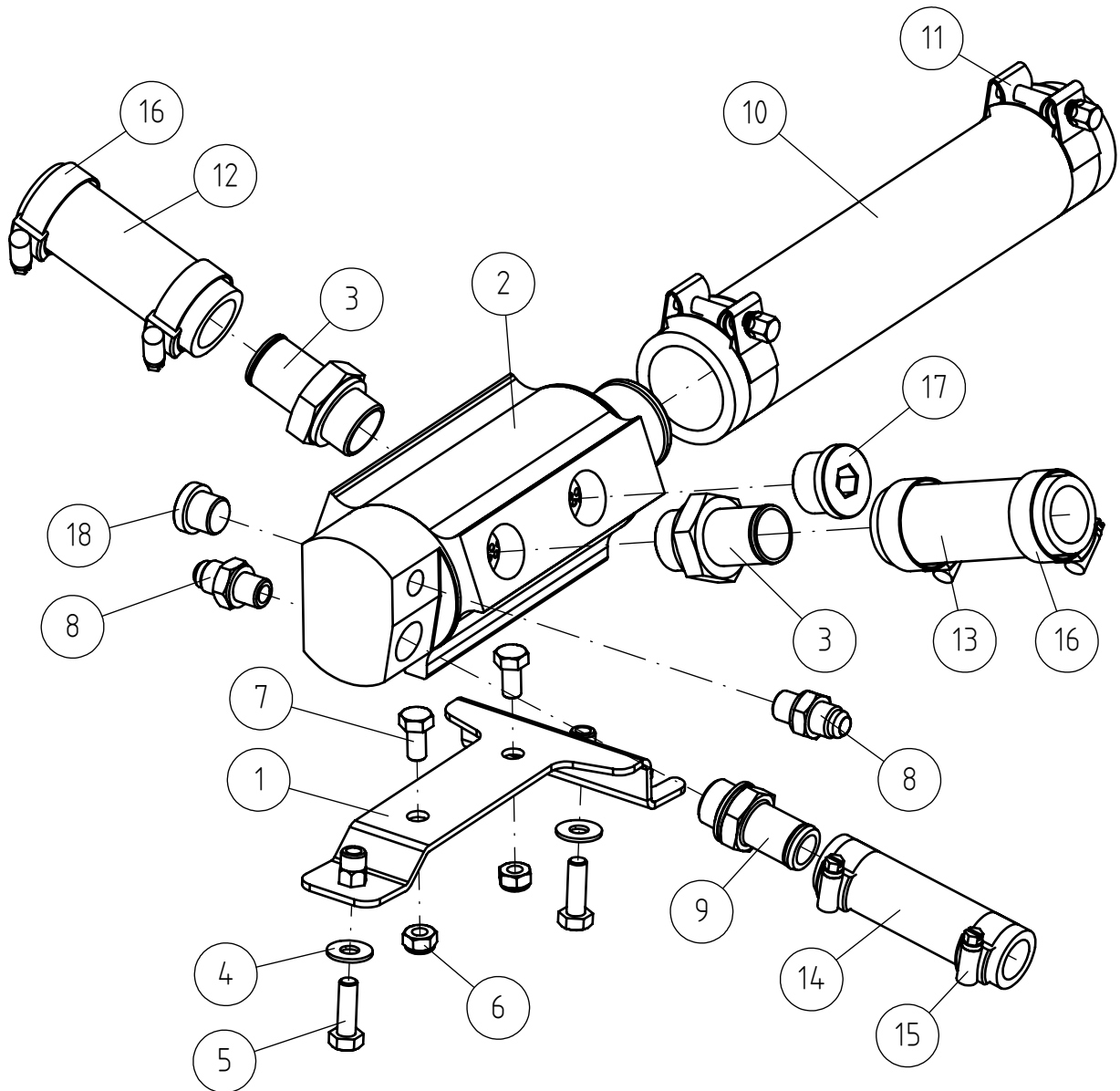
A36909 REAR WEIGHT (BUMPER) 160 KG, ASSEMBLY

REF	PART NO	QTY	DESCRIPTION	NOTES	PAGE
1	A443369	1	REAR WEIGHT (BUMPER) 155 KG 500/600		-
2	A419683	1	MOUNTING PLATE, BACK WEIGHT 29 KG		-
3	72196	4	HEXAGONAL SCREW M16*70		-
4	74533	6	WASHER, PAIR, M16 NL16 NORDLOCK		-
5	72329	2	HEXAGONAL NUT M 16 DIN 934		-
6	A423105	2	PRESS NUT M16 37 MM		-

20.12.2023

A455492 HYDRAULIC MANIFOLD ASSEMBLY 520 / 523

Starting from week 15/2023
Previous assembly A427064



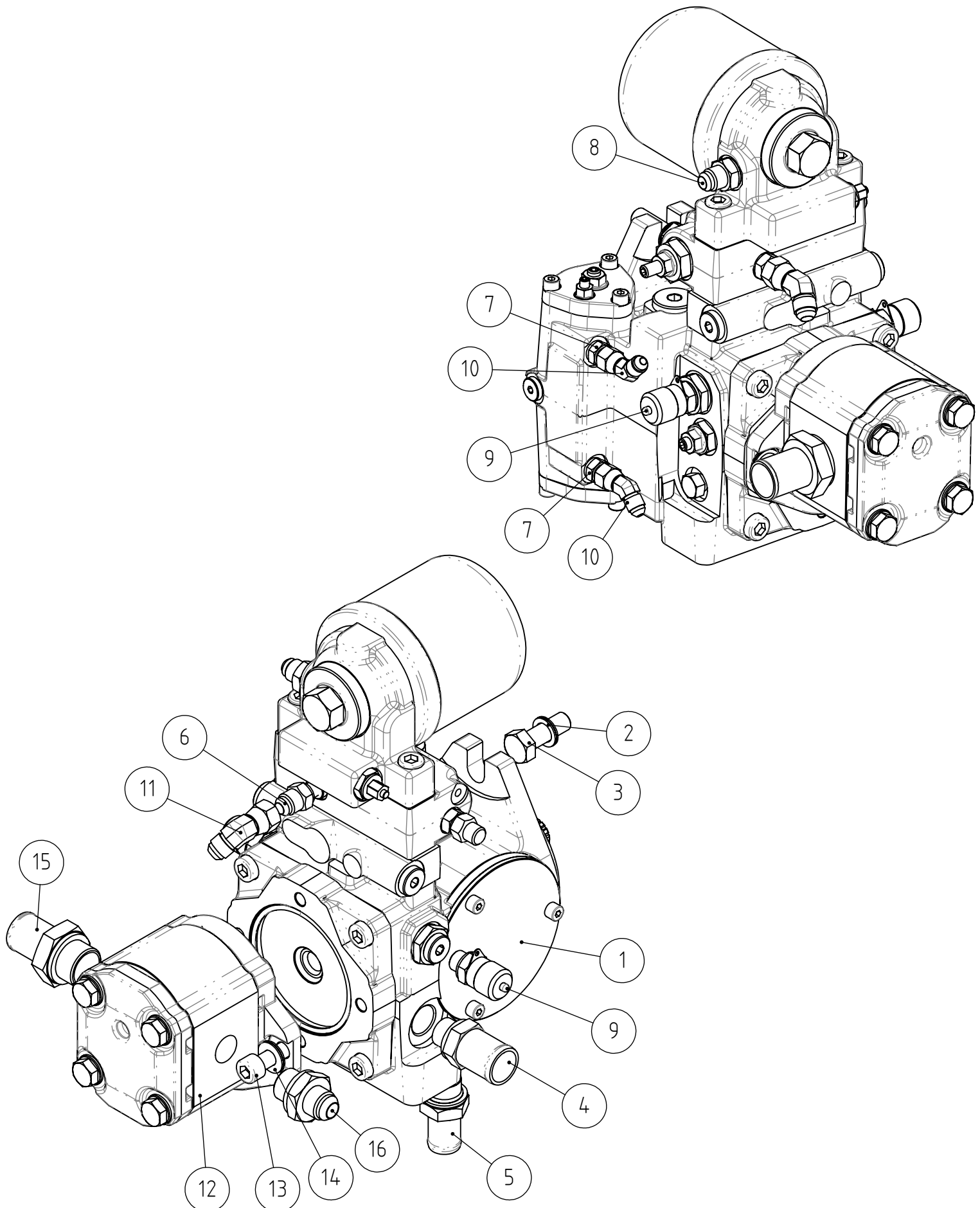
20.12.2023

A455492 HYDRAULIC MANIFOLD ASSEMBLY 520 / 523

REF	PART NO	QTY	DESCRIPTION	NOTES	PAGE
1	A429660	1	MOUNTING BRACKET HYDRAULIC MANIFOLD		-
2	A450772	1	HYDRAULIC MANIFOLD ASSEMBLY		-
3	66107	2	HOSE BARB R3/4"UK - 25 MM L=58		-
4	74525	2	WASHER M8 8,4*20*1,25 ZN		-
5	72132	2	HEXAGONAL SCREW M 8*25 DIN 933 ZN		-
6	72320	2	HEXAGONAL NUT M8 NYLOC DIN 985		-
7	73039	2	HEXAGONAL SCREW M 8*16 DIN 933 ZN		-
8	64059	2	BASIC FITTING F40XS10-1/4		-
9	66428	1	HOSE BARB R1/2"UK - 20MM		-
10	A427317	1	INLET HOSE F53/F40-280 TANK - MANIFOLD		-
11	66013	2	PIPE CLAMP POWER-FLEX S-048-		-
12	A427074	1	INLET HOSE L=540 D25		-
13	A427080	1	INLET HOSE L=415 D25		-
14	A427319	1	HYDR. HOSE L=550 D19		-
15	73530	2	HOSE CLAMP 22-32 MM		-
16	73809	4	HOSE CLAMP 32-44 MM		-
17	73768	1	HEXAGONAL PLUG HF-3/4" WITH SEAL		-
18	74411	1	HEXAGONAL PLUG HF 3/8" HTUNG		-

20.12.2023

A431698 HYDRAULIC PUMPS ASSEMBLY 523 OPTIDRIVE



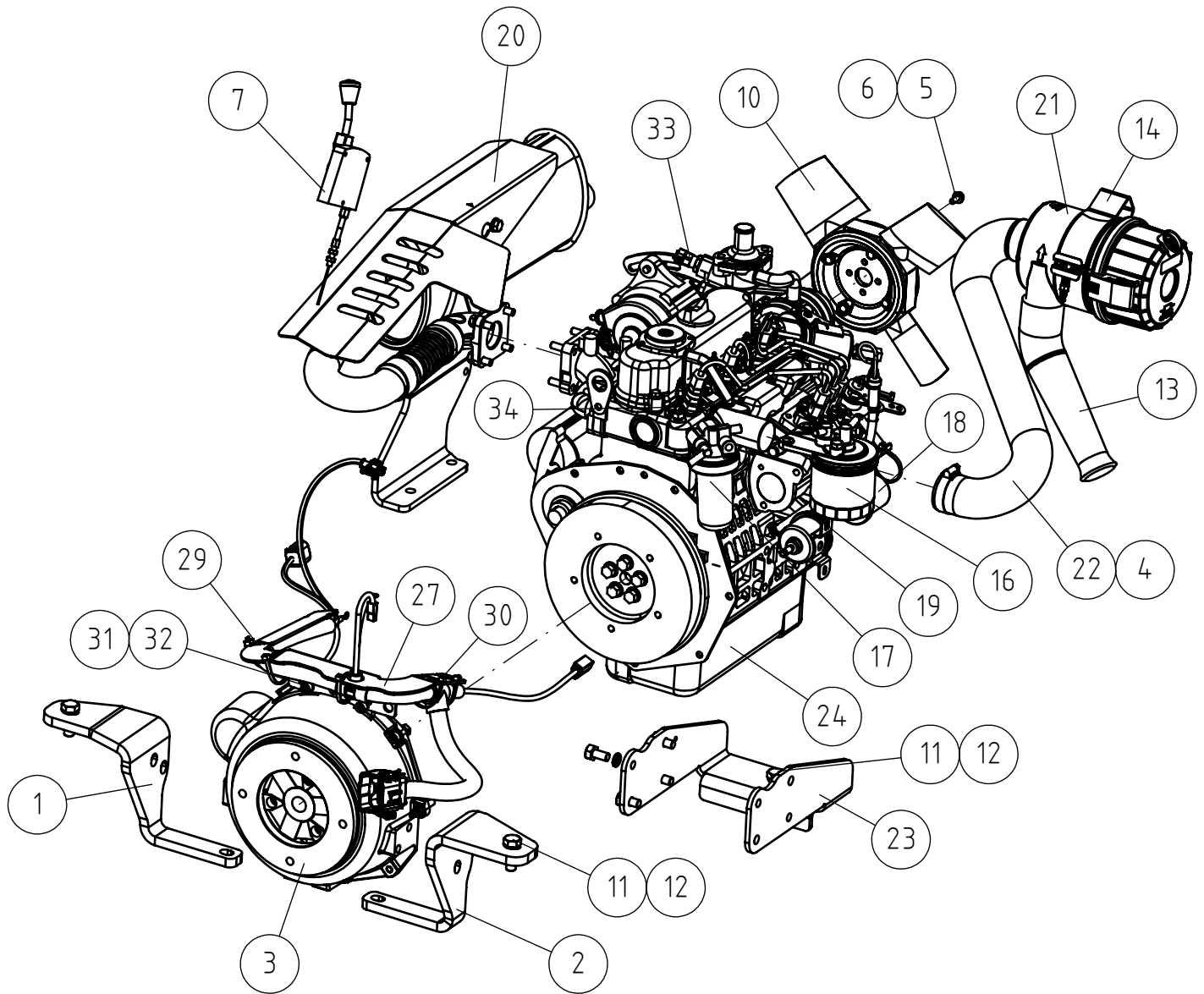
20.12.2023

A431698 HYDRAULIC PUMPS ASSEMBLY 523 OPTIDRIVE

REF	PART NO	QTY	DESCRIPTION	NOTES	PAGE
1	66425	1	VARIABLE DISPL. PUMP 528/R28 HP P2A 23		-
1.1	64807	1	PRESSURE FILTER, HYDR. B&P 539047001		-
2	74532	2	WASHER NORDLOCK NL12		-
3	73042	2	HEX. SCREW M12*35 DIN 933 ZN		-
4	66240	1	HOSE BARB R1/2"UK-25 MM L=53,5		-
5	66428	1	HOSE BARB R1/2"UK - 20MM		-
6	64346	1	BASIC FITTING F40XS10-1/8"		-
7	64793	2	BASIC FITTING F40XS6-1/8"		-
8	64059	1	BASIC FITTING F40XS10-1/4		-
9	64196	2	MANOMETER FITTING M16*2		-
10	65587	2	ELBOW FITTING 45° UNF 7/16" JIC		-
11	65201	1	ELBOW FITTING 45 DEG. V6SX10		-
12	A428338	1	HYDRAULIC PUMP 10 CM3		-
13	74467	2	HEXAGONAL HEAD SCREW M10* 30 DIN 912		-
14	75102	2	SPACER NORDLOCK M10 NL10SP, PAIR		-
15	66107	1	HOSE BARB R3/4"UK - 25 MM L=58		-
16	64058	1	BASIC FITTING F40XS12-1/2		-

20.12.2023

A461630 ENGINE ASSEMBLY D902 / 523



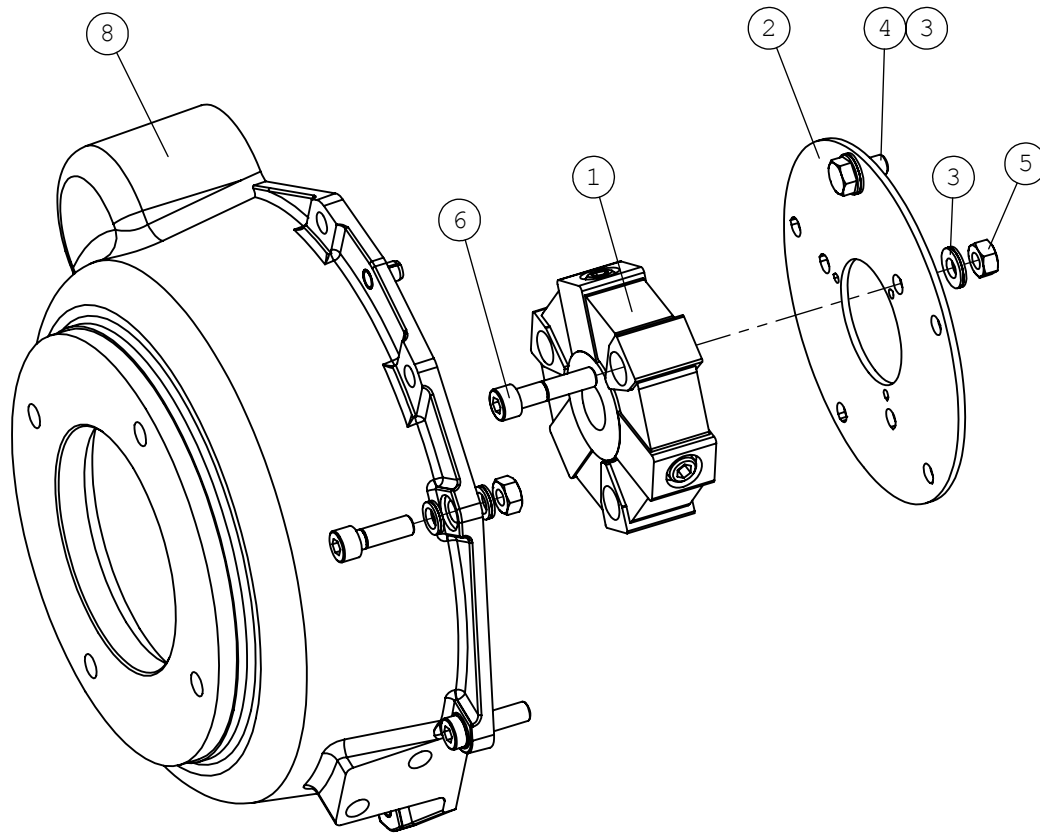
20.12.2023

A461630 ENGINE ASSEMBLY D902 / 523

REF	PART NO	QTY	DESCRIPTION	NOTES	PAGE
1	A422598	1	MOUNTING BRACKET FRONT, ENGINE D902		-
2	A422559	1	MOUNTING BRACKET LEFT, ENGINE D902/523		-
3	A422594	1	FLYWHEEL HOUSING D902		64
4	64338	1	HOSE CLAMP ABA 44-56 MM		-
5	72117	1	HEXAGONAL SCREW M6*16 DIN 933		-
6	75101	1	SPACER NORDLOCK M6 NL6SP, PAIR		-
7	A420564	1	HAND THROTTLE WITH GAS WIRE L=2700MM		-
7.1	A47712	1	THROTTLE WIRE L=3000/2700		-
8	72319	1	HEXAGONAL NUT M8 DIN 934		-
9	75131	1	BUTTON HEAD SOCKET CAP SCREW M8*12 10.9		-
10	66449	1	FAN F315 4 BLADE		-
11	73042	3	HEX. SCREW M12*35 DIN 933 ZN		-
12	74532	3	WASHER NORDLOCK NL12		-
13	A419968	1	SUCTION DAMPER AIR FILTER 420-523		-
14	66468	1	CLAMP, AIR FILTER 66469		-
15	A422710	1	FUEL HOSE ASSEMBLY D902 423/523		-
16	64868	1	FUEL FILTER, KIT, KUBOTA		-
16.1	64626	1	FUEL FILTER CARTRIDGE 15221-4308-0		-
17	64920	1	WATER SEQUESTER, KIT, KUBOTA 16614-43001		-
18	64657	1	FUEL FILTER IN HOSE 12581-43012 D1105		-
19	64625	1	FUEL PUMP ELECTR.		-
20	A37374	1	EXHAUST MUFFLER ASSEMBLY D902 423/523		66
21	66469	1	AIR FILTER, COMPLETE, D902, 423/523		-
21.1	66516	1	AIR FILTER CARTRIDGE 423/523 KUBOTA D902		-
22	A422657	1	INLET HOSE FROM AIR FILTER D902		-
23	A422557	1	MOUNTING BRACKET MIDDLE, ENGINE D902/523		-
24	66511	1	DIESEL ENGINE KUBOTA D902 WITHOUT		68
24.1	64430	1	TRAPEZ. BELT GENERATOR KUBOTA Z482/D722		-
24.2	64486	1	SENSOR, TEMP. GAUGE COBO		-
24.3	64207	1	ENGINE OIL FILTER KUBOTA Z482/D722		-
24.4	65522	1	STOP SOLENOID D722 17520-60012		-
24.5	A443823	1	TEMPERATURE SWITCH 82°C KUBOTA		-
25	74531	4	SPACER NORDLOCK M10, PAIR		-
26	74789	4	HEXAGONAL SCREW M10*1,25-20		-
27	A454865	1	MOUNTING BRACKET WIRE HARNESS ENGINE		-
28	A456676	1	WIRE HARNESS ENGINE KUBOTA D902 423/523		-
29	A461092	2	CABLE TIE 4,6*390		-
30	A459873	5	CABLE TIE 4,6*200 BLACK		-
31	75100	2	SPACER NORDLOCK M8 NL8, PAIR		-
32	71884	2	HEXAGONAL HEAD SCREW M 8*25 DIN 912 2		-
33	A433798	1	TEMPERATURE SENSOR TF-W		-
34	A444459	1	TEMPERATURE SWITCH 115° C KUBOTA		-

20.12.2023

A422594 FLYWHEEL HOUSING D902



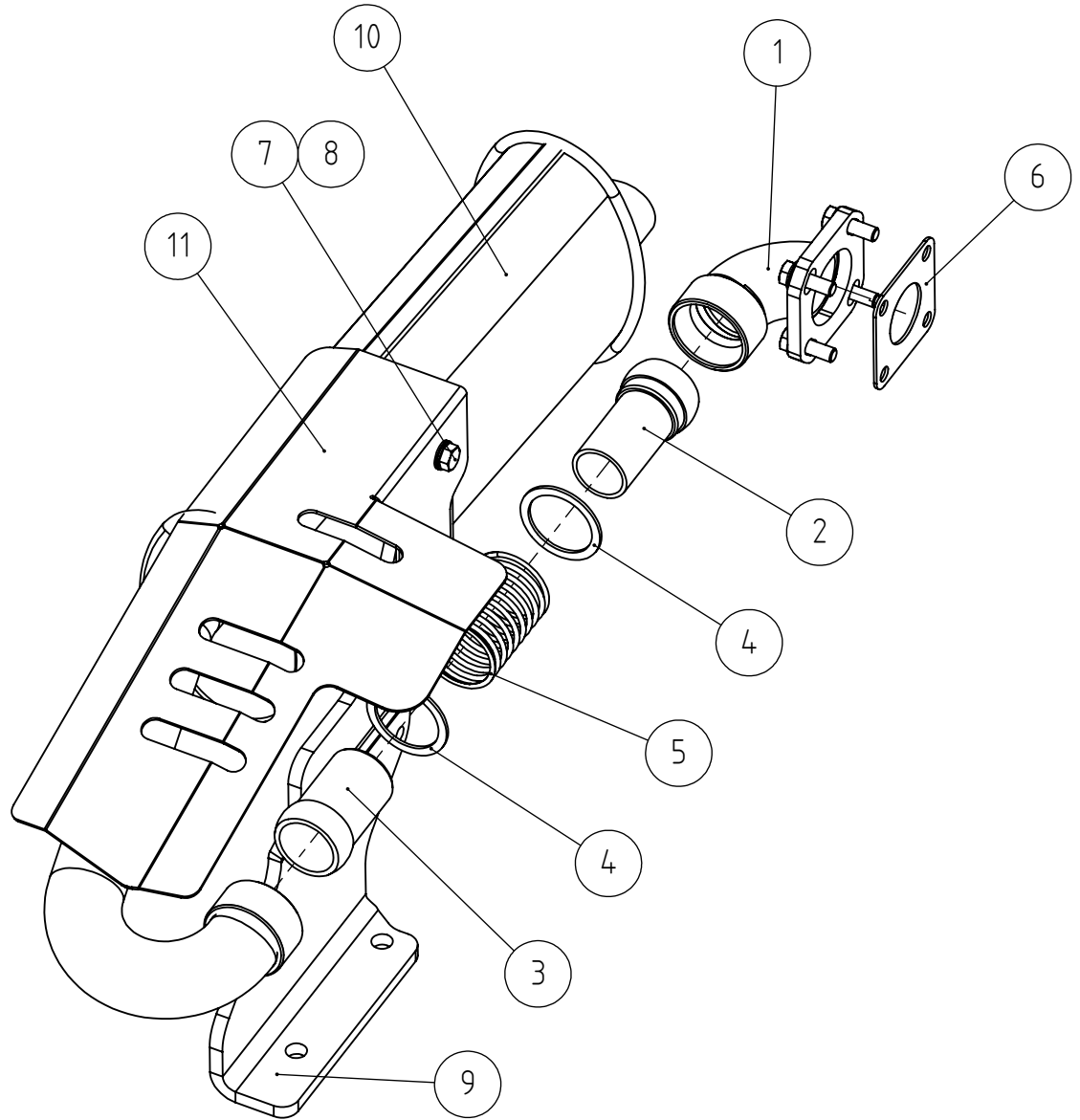
20.12.2023

A422594 FLYWHEEL HOUSING D902

REF	PART NO	QTY	DESCRIPTION	NOTES	PAGE
1	64686	1	COUPLING CENTAFLEX A004-1-AVANT3 Z=13		-
2	A422593	1	ADAPTER FLANGE TO CENTAFLEX 43 COUPLING		-
3	63944	2	WASHER, PAIR, NORD-LOCK M8		-
4	73039	1	HEXAGONAL SCREW M 8*16 DIN 933 ZN		-
5	72319	2	HEXAGONAL NUT M8 DIN 934		-
6	74482	1	HEXAGONAL HEAD SCREW M8* 35 DIN 912		-
7	73100	1	HEXAGONAL HEAD SCREW M8*30 DIN 912 2		-
8	66502	1	FLYWHEEL HOUSING KUBOTA SAE B		-
9	75100	3	SPACER NORDLOCK M8 NL8, PAIR		-
10	71884	1	HEXAGONAL HEAD SCREW M 8*25 DIN 912 2		-

20.12.2023

A37374 EXHAUST MUFFLER ASSEMBLY D902 423/523



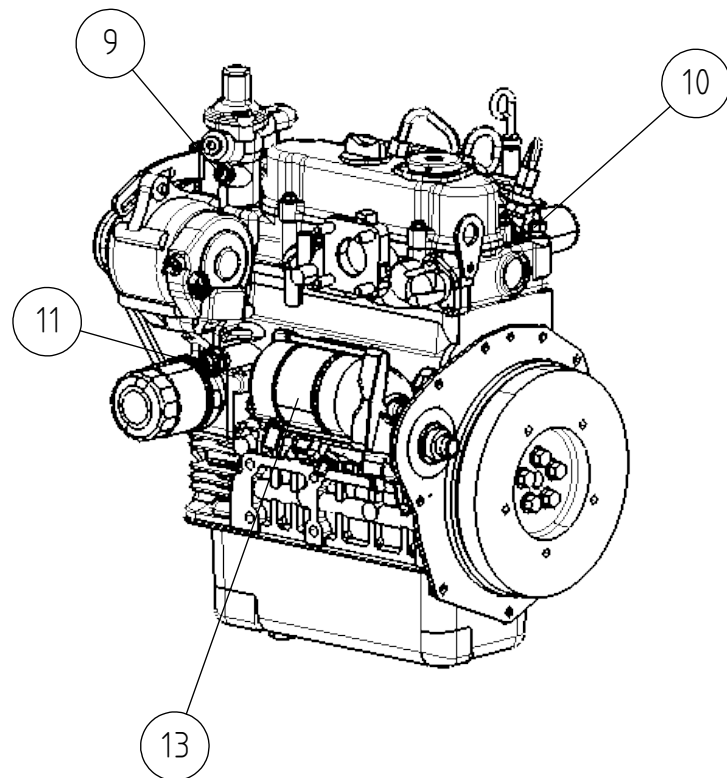
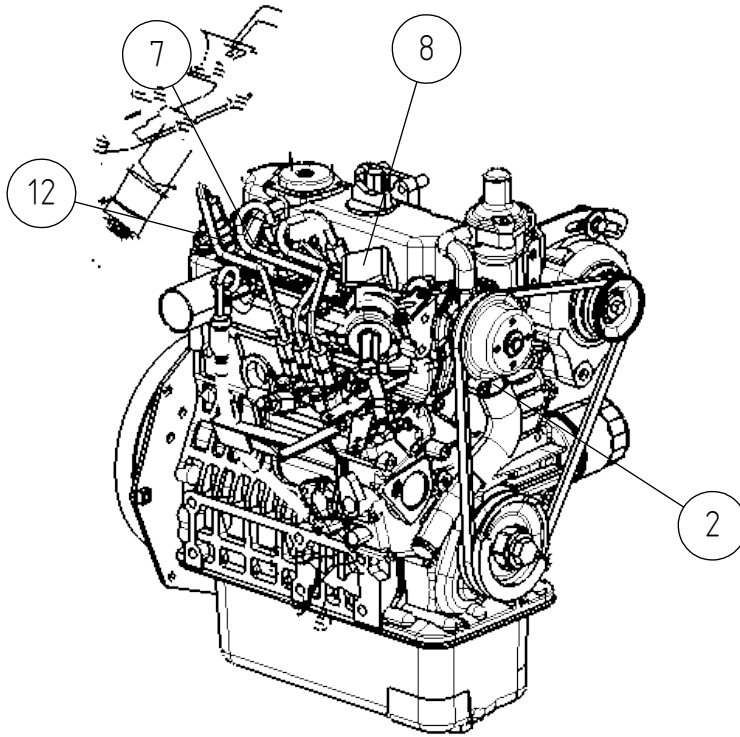
20.12.2023

A37374 EXHAUST MUFFLER ASSEMBLY D902 423/523

REF	PART NO	QTY	DESCRIPTION	NOTES	PAGE
1	A48482	1	CONNECTING PIPE, EXHAUST MUFFLER		-
2	A46003	1	EXHAUST PIPE, INNER		-
3	A46004	1	EXHAUST PIPE, OUTER		-
4	A46002	2	RING		-
5	A46005	1	SPRING 3*41*140 NT 8,5		-
6	64280	1	SEAL, EXHAUST PIPE, KUBOTA Z482/D722		-
7	72133	2	HEXAGONAL SCREW M8*30 DIN 933		-
8	63944	6	WASHER, PAIR, NORD-LOCK M8		-
9	A435131	1	BRACKET EXHAUST MUFFLER 400/500 SERIES		-
10	A37364	1	EXHAUST MUFFLER D902		-
10.1	A424843	1	EXHAUST PURIFIER 423/523		-
11	A420183	1	HEAT SHIELD EXHAUST PIPE		-
12	72132	4	HEXAGONAL SCREW M 8*25 DIN 933 ZN		-

20.12.2023

66511 DIESEL ENGINE KUBOTA D902 WITHOUT



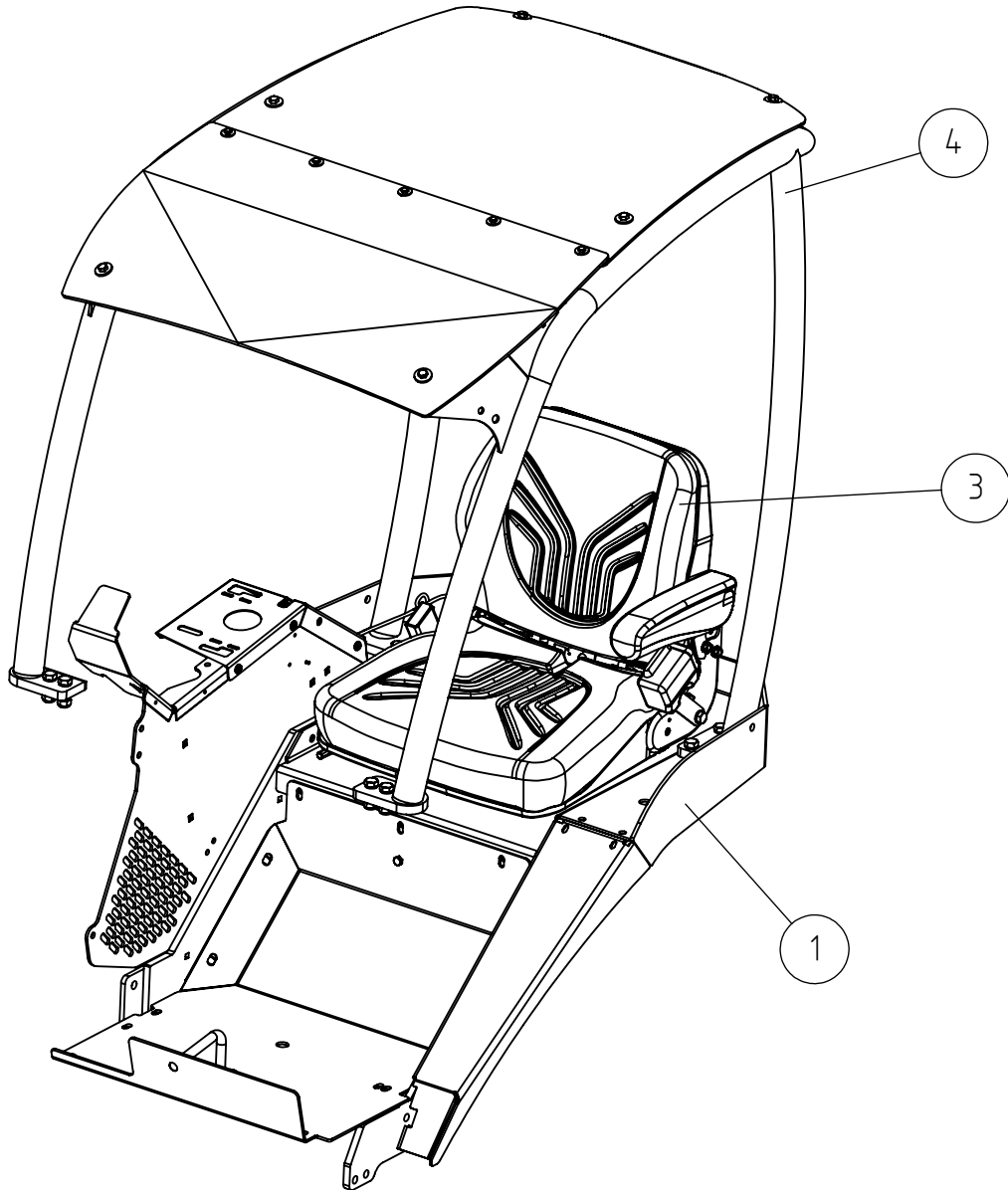
20.12.2023

66511 DIESEL ENGINE KUBOTA D902 WITHOUT

REF	PART NO	QTY	DESCRIPTION	NOTES	PAGE
1	66511	1	DIESEL ENGINE KUBOTA D902 WITHOUT		68
1.1	64207	1	ENGINE OIL FILTER KUBOTA Z482/D722		-
2	A451727	1	WATER PUMP KUBOTA D902		-
3	64430	1	TRAPEZ. BELT GENERATOR KUBOTA Z482/D722		-
4	65145	1	ALTERNATOR KUBOTA 40A		-
5	A443823	1	TEMPERATURE SWITCH 82°C KUBOTA		-
6	A429739	1	GASKET THERMOSTAT KUBOTA		-
7	64285	3	GLOW PLUG KUBOTA Z482/D722/D1105		-
8	65522	1	STOP SOLENOID D722 17520-60012		-
9	64486	1	SENSOR, TEMP. GAUGE COBO		-
10	A444459	1	TEMPERATURE SWITCH 115° C KUBOTA		-
11	64428	1	OIL PRESSURE SENSOR, Z482/D722		-
12	A451754	3	INJECTOR NOZZLE ASSEMBLY D902		-
13	64654	1	STARTER MOTOR KUBOTA D722 1,4 KW		-
14	A432222	1	SEAL KIT VALVE ROD		-
-	64430	1	TRAPEZ. BELT GENERATOR KUBOTA Z482/D722		-
-	64486	1	SENSOR, TEMP. GAUGE COBO		-
-	64207	1	ENGINE OIL FILTER KUBOTA Z482/D722		-
-	65522	1	STOP SOLENOID D722 17520-60012		-
-	A443823	1	TEMPERATURE SWITCH 82°C KUBOTA		-
-	A444459	1	TEMPERATURE SWITCH 115° C KUBOTA		-

20.12.2023

A462042 ROPS/FOPS CAB ASSEMBLY 500 SERIES



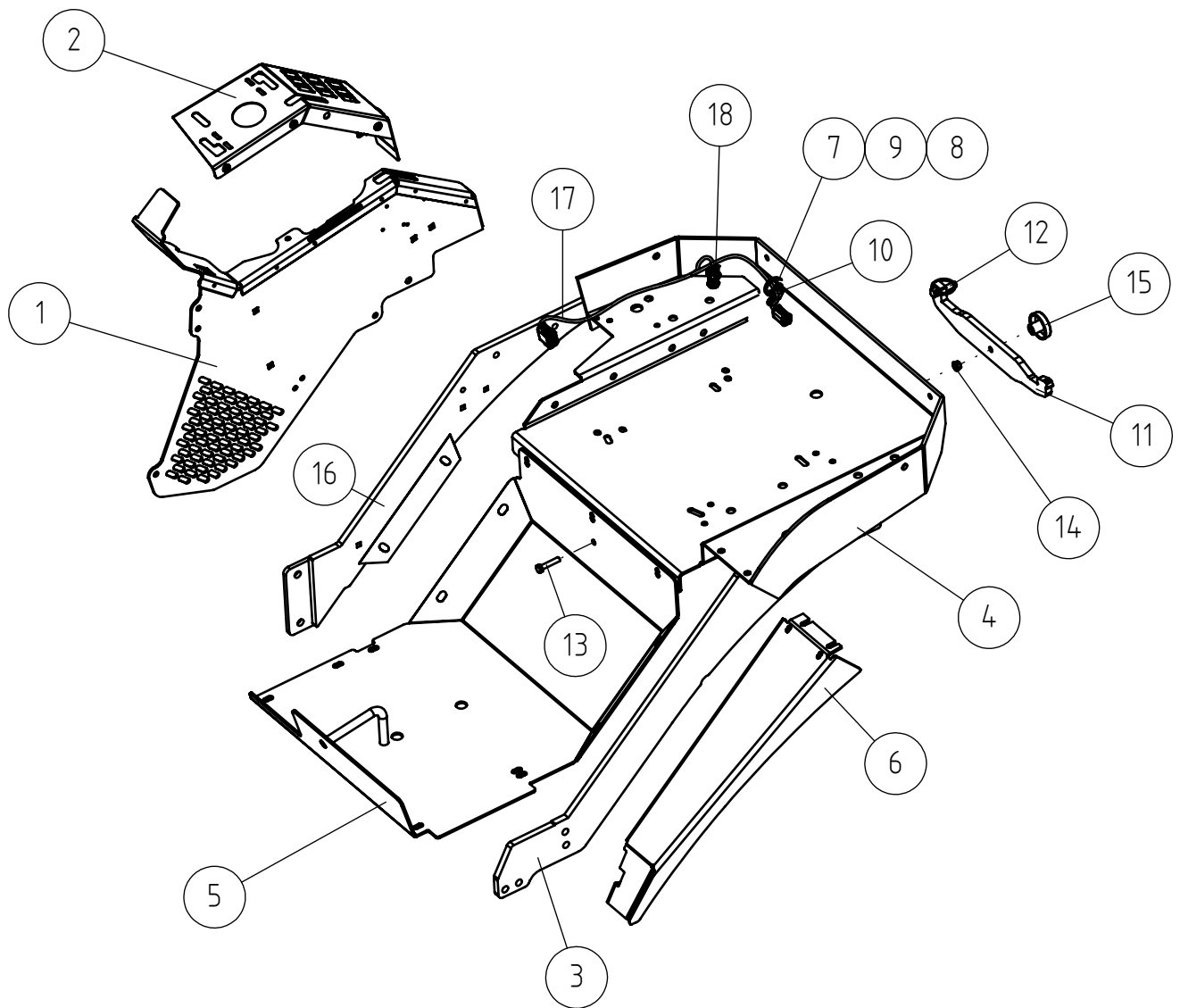
20.12.2023

A462042 ROPS/FOPS CAB ASSEMBLY 500 SERIES

REF	PART NO	QTY	DESCRIPTION	NOTES	PAGE
1	A462011	1	SEAT BASE ASSEMBLY 500-700 SERIES		72
2	A450046	4	HEXAGONAL NUT M8 WITH FLANGE		-
3	A449720	1	SEAT WITH SUSPENSION VINYL B12		-
4	A48906	1	ROPS FRAME WITH FOPS CANOPY, 500 SERIES		76

20.12.2023

A462011 SEAT BASE ASSEMBLY 500-700 SERIES



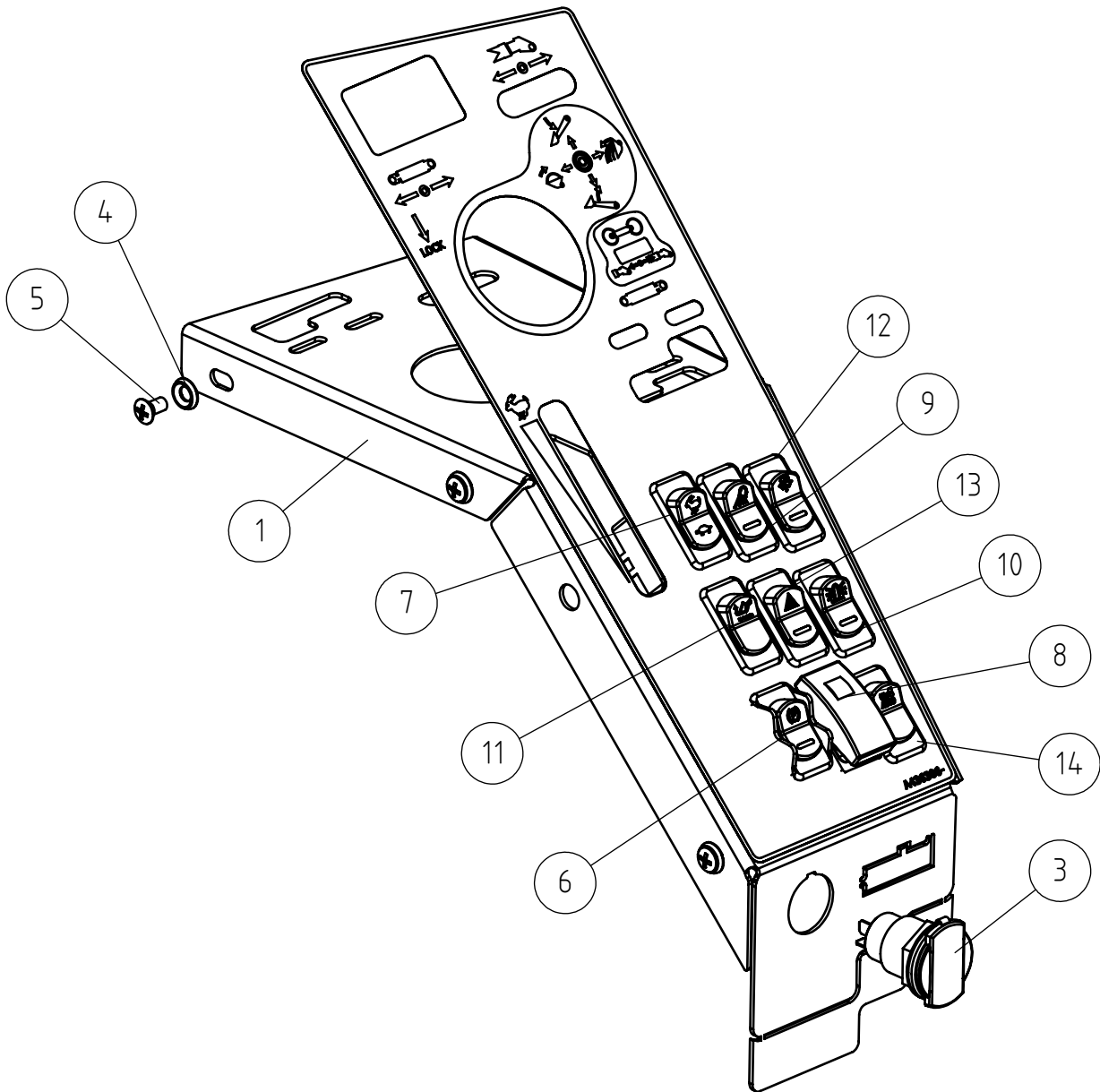
20.12.2023

A462011 SEAT BASE ASSEMBLY 500-700 SERIES

REF	PART NO	QTY	DESCRIPTION	NOTES	PAGE
1	A438092	1	MOUNTING PLATE CONTROL VALVE HDS16		-
2	A439987	1	INSTRUMENT PANEL WITH DECAL 700 / 800		74
3	A47834	1	BAR, LEFT		-
4	A48246	1	SEAT BASE		-
5	A47399	1	FLOOR PLATE		-
6	A47531	1	EDGE PLATE		-
7	74767	1	RAISED COUNTERSUNK HEAD SCREW M6*20		-
8	74768	1	WASHER CONICAL M6		-
9	74781	1	HEXAGONAL NUT M6 WITH FLANGE		-
10	A442639	1	CABLE TIE 7,6*390 M6 BLACK		-
11	A410307	1	FRAME LOCK		-
12	71727	1	LINCH PIN 9,5 MM		-
13	73222	1	HEXAGONAL SCREW M8*40 DIN 933		-
14	74782	1	HEXAGONAL NUT M8 WITH FLANGE		-
15	64188	1	FINGER SCREW R5026M8S		-
16	A47389	1	BAR, RIGHT		-
17	A451202	1	WIRE HARNESS SEAT GRAMMER		-
18	A433798	1	TEMPERATURE SENSOR TF-W		-

20.12.2023

A439987 INSTRUMENT PANEL WITH DECAL 700 / 800



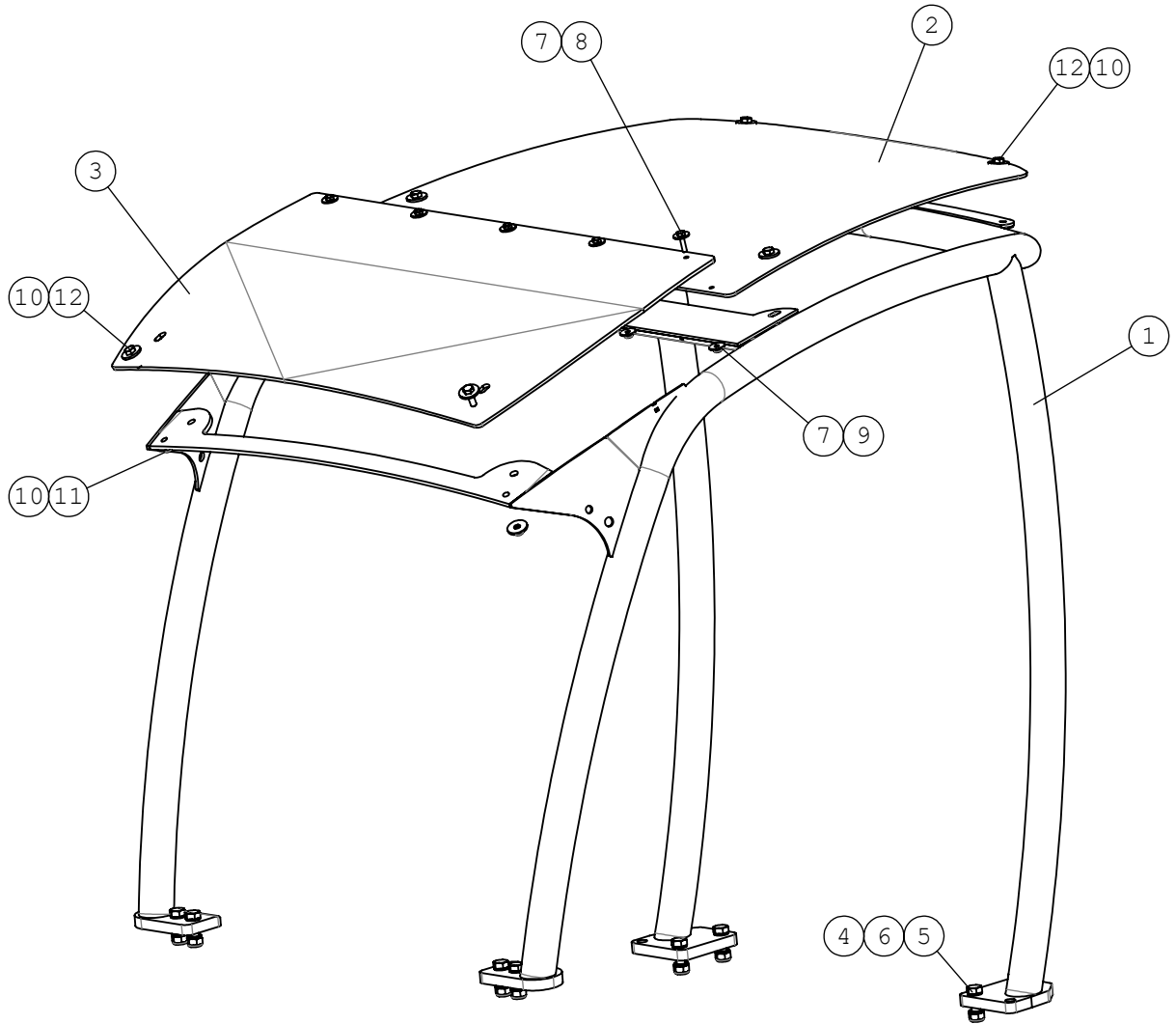
20.12.2023

A439987 INSTRUMENT PANEL WITH DECAL 700 / 800

REF	PART NO	QTY	DESCRIPTION	NOTES	PAGE
1	A431454	1	PANEL 800 SERIES		-
2	A436386	1	DECAL INSTRUMENT PANEL 800 SERIES		-
3	A436424	1	OUTLET 12V/20A WITH COVER		-
4	74768	3	WASHER CONICAL M6		-
5	75162	3	CROSS HEAD COUNTERS SCREW M6*12		-
6	A442040	1	SWITCH PARKING BRAKE		-
7	65246	1	SWITCH, DRIVE SPEED AREA, 750		-
8	A430996	1	CONTROL SWITCH, HYDR ATTACHMENT COUPLING		-
9	65066	1	SWITCH, WORK LIGHT		-
10	65065	1	SWITCH, BEACON		-
11	A437190	1	SWITCH SMOOTH DRIVE		-
12	65063	1	SWITCH, WIPER/WASHER		-
13	65064	1	SWITCH, WARNING BLINKER		-
14	A437343	1	ROCKER SWITCH OPTICONTROL		-

20.12.2023

A48906 ROPS FRAME WITH FOPS CANOPY, 500 SERIES



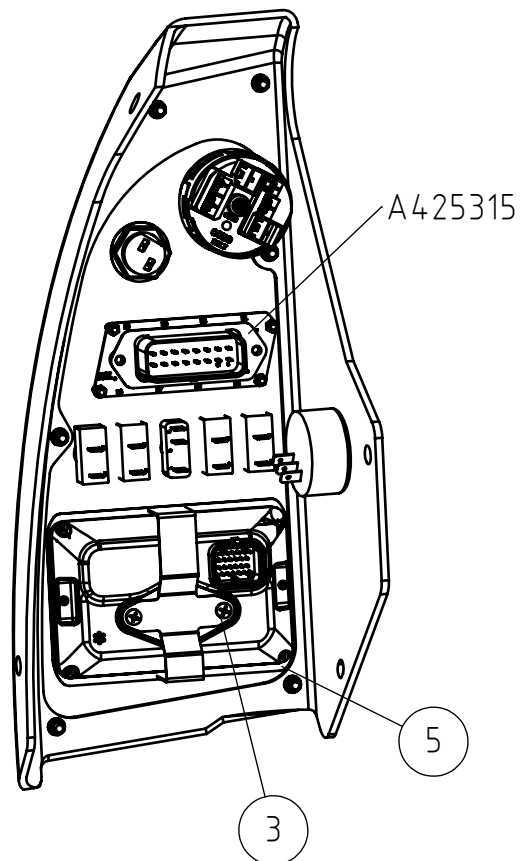
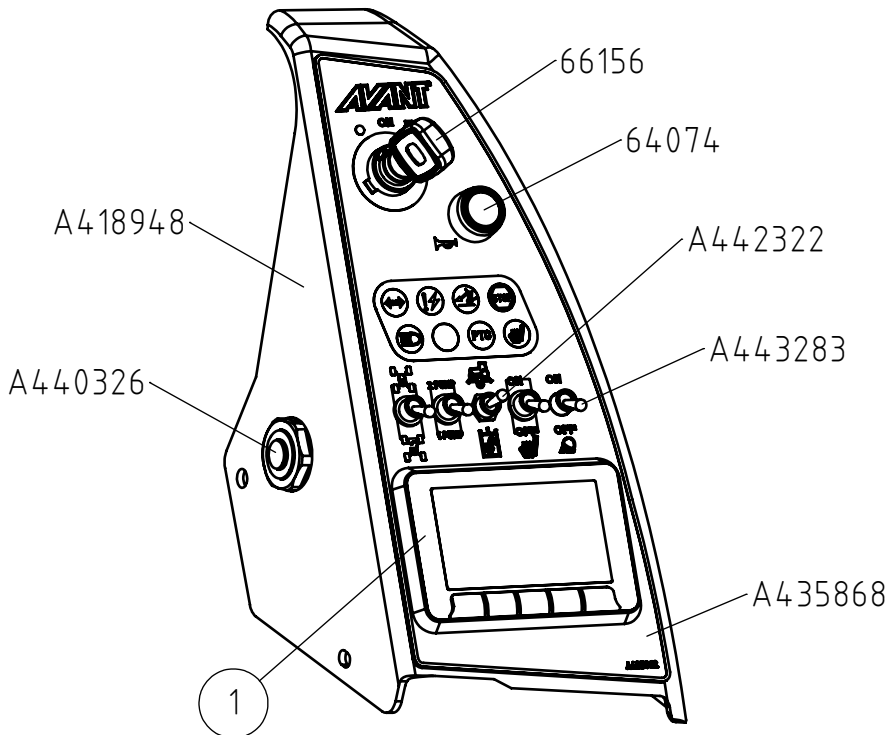
20.12.2023

A48906 ROPS FRAME WITH FOPS CANOPY, 500 SERIES

REF	PART NO	QTY	DESCRIPTION	NOTES	PAGE
1	A33900	1	ROPS FRAME 1040 MM 500 SERIES		-
2	A48905	1	FOPS CANOPY PLATE 500/600/700		-
3	A48909	1	CANOPY, SHORT, POLYCARBONATE (WITH FOPS)		-
4	74532	16	WASHER NORDLOCK NL12		-
5	73322	8	HEXAGONAL SCREW M12*40 DIN 931		-
6	72324	8	HEXAGONAL NUT M 12 NYLOC DIN 985		-
7	71681	10	WASHER M6 DIN 440		-
8	72119	5	HEXAGONAL SCREW M6*25 DIN 933 ZN		-
9	72318	5	HEXAGONAL NUT M 6 DIN 985 NYLOC		-
10	71685	12	WASHER M8 R9 DIN 440 ZN		-
11	72320	6	HEXAGONAL NUT M8 NYLOC DIN 985		-
12	72132	6	HEXAGONAL SCREW M 8*25 DIN 933 ZN		-

20.12.2023

A435860 DASHBOARD ASSEMBLY 700-800 ROPS



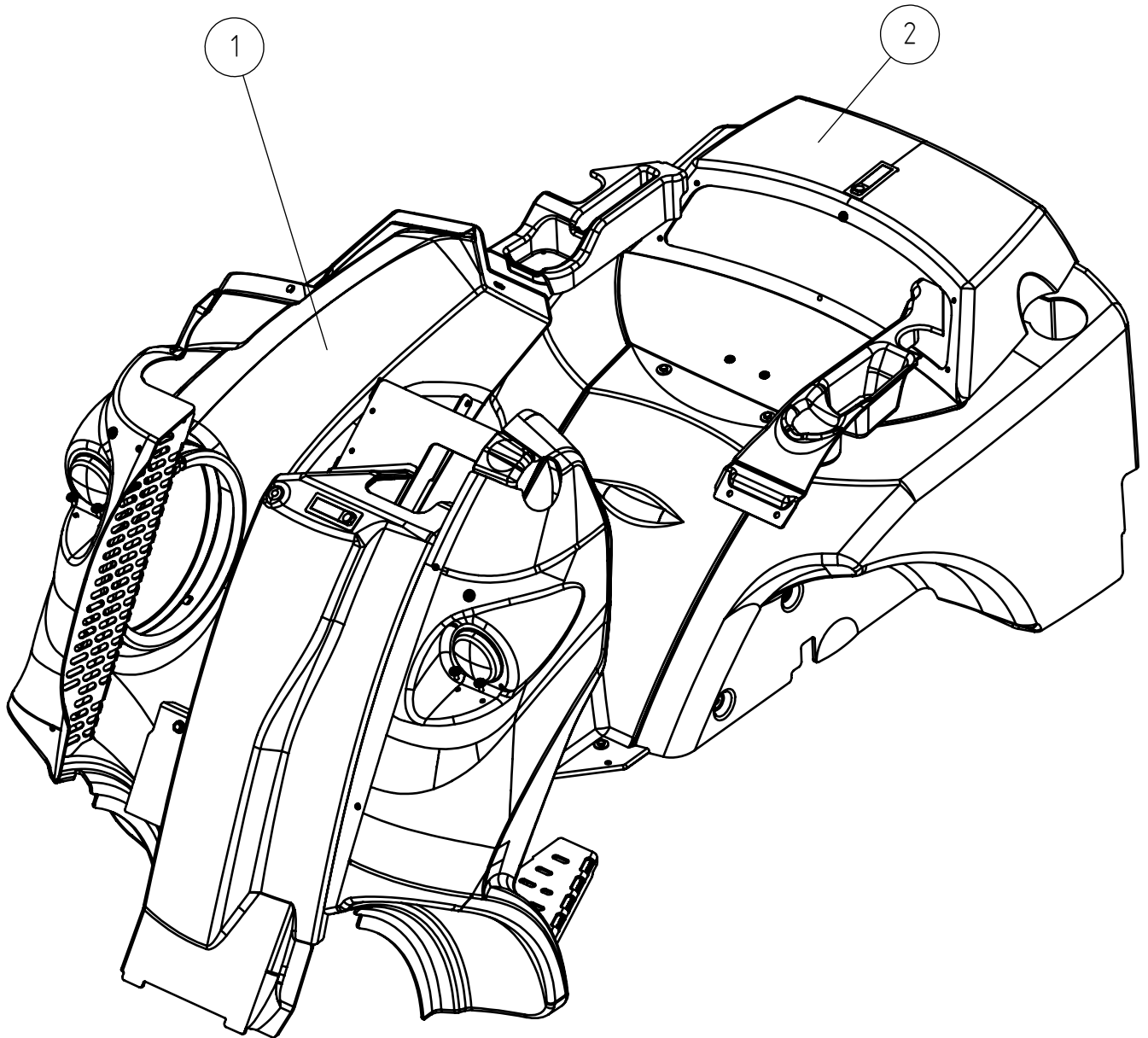
20.12.2023

A435860 DASHBOARD ASSEMBLY 700-800 ROPS

REF	PART NO	QTY	DESCRIPTION	NOTES	PAGE
1	A428466	1	DISPLAY 4,3" COLOUR LED		-
2	A456497	1	DASHBOARD WITHOUT DISPLAY 523...8601		-
2.1	A436098	1	WIRE HARNESS DASHBOARD		-
2.2	A425315	1	INDICATOR LIGHTS DASHBOARD		-
2.3	A440326	1	ALARM BEEPER D28,5/D45 -H47		-
2.4	A418948	1	HOUSING PANEL ABS DASHBOARD		-
2.5	66156	1	IGNITION SWITCH 12V/30A/60A IP65 COBO		-
2.6	A442322	1	ROCKER SWITCH ON-OFF-MOM 3-POLE		-
2.7	A443283	4	TOGGLE SWITCH ON-OFF 2-POLE		-
2.8	64074	1	PUSH BUTTON F22,5 SIGNAL HORN		-
2.9	A435868	1	COVER DASHBOARD 700-800 STAGE 5		-
3	A431502	2	PAN HEAD MACHINE SCREW M4*8		-
4	A423587	1	MOUNTING PLATE, DISPLAY		-
5	A436780	1	GROUNDING FRAME CANVIEW4 GAUGE PANEL		-

20.12.2023

A461632 COVER PLATES, KIT, ABS, 523 ROPS



20.12.2023

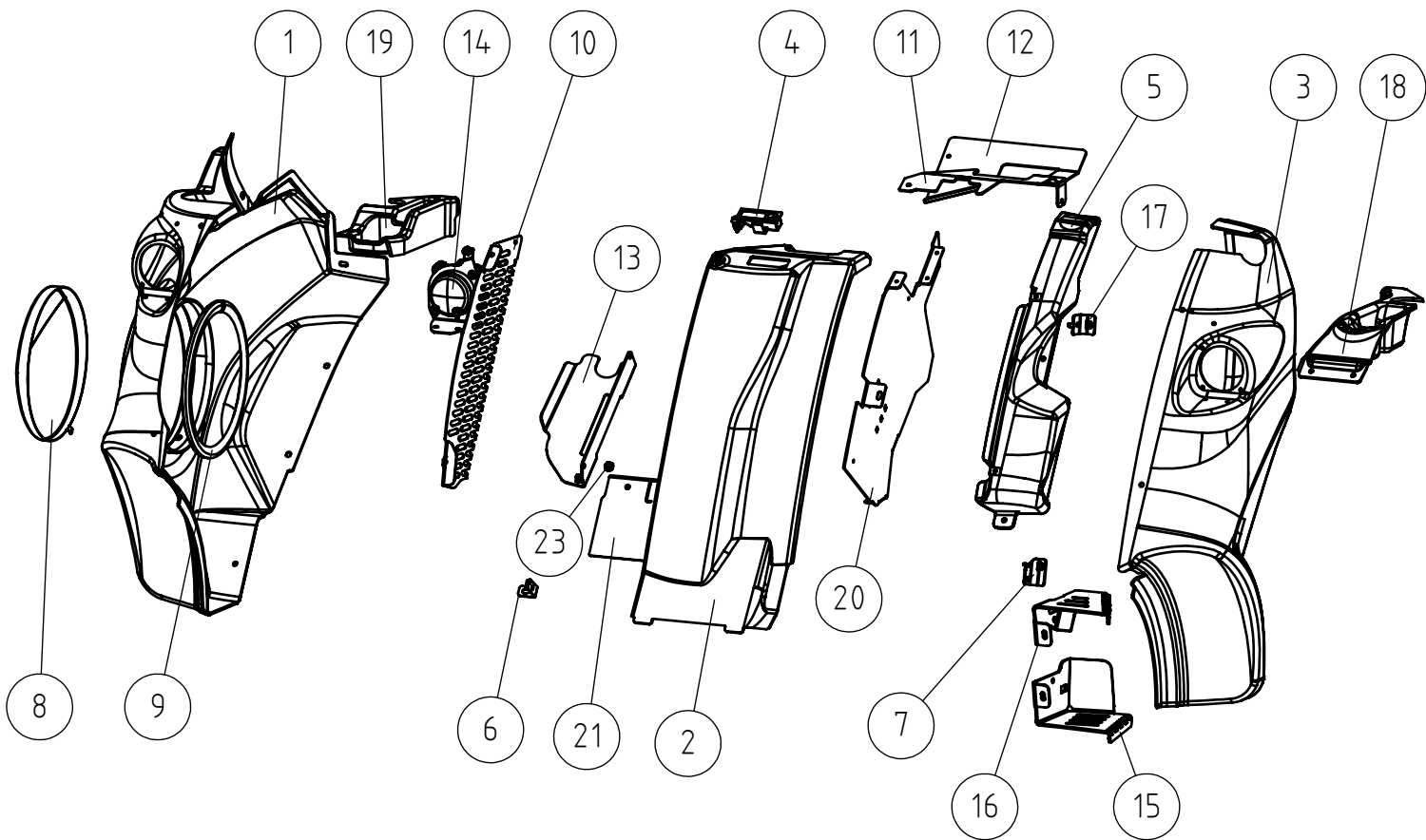
A461632 COVER PLATES, KIT, ABS, 523 ROPS

REF	PART NO	QTY	DESCRIPTION	NOTES	PAGE
1*	A446265	1	COVER PLATES FRONT FRAME ABS 500-700	ABS	82
1**	A447754	1	COVER PLATES FRONT FRAME POLYCARBONATE	PC/HD (optional extra)	84
2*	A37489	1	COVER PLATES REAR CHASSIS 420-523, KIT	ABS	88
2***	A426056	1	COVER PLATES POLYCARB REAR CHASSIS	PC/HD, optional extra	90

20.12.2023

ABS

A446265 COVER PLATES FRONT FRAME ABS 500-700



20.12.2023

ABS

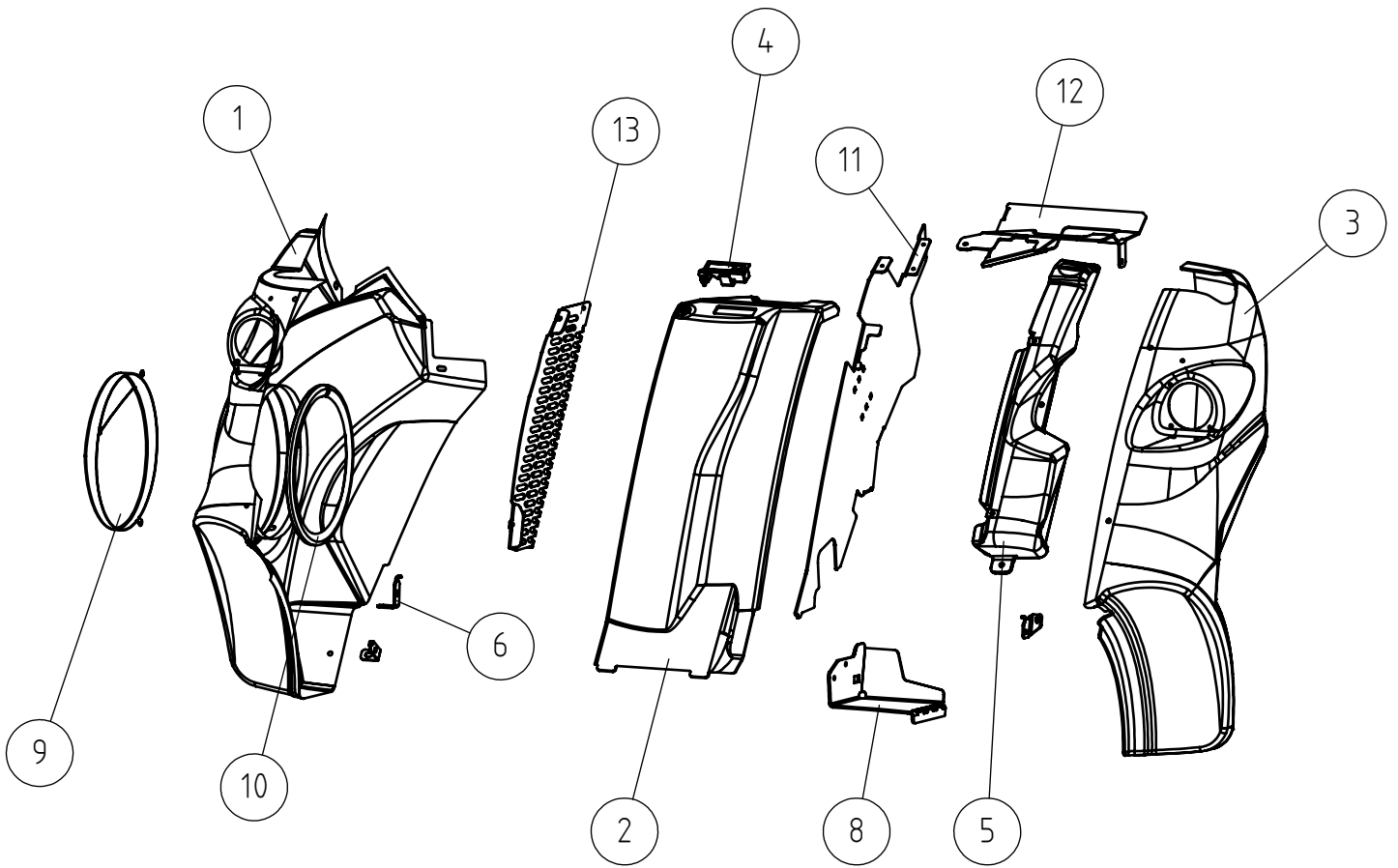
A446265 COVER PLATES FRONT FRAME ABS 500-700

REF	PART NO	QTY	DESCRIPTION	NOTES	PAGE
1	A446215	1	COVER PLATE FRONT RIGHT ABS 500-700		-
2	A445993	1	COVER PLATE FRONT ABS ROPS / GT 500-700		-
3	A446305	1	COVER PLATE FRONT LEFT ABS 500-700		-
4	65085	1	LATCH		-
5	A446048	1	MOUNTING BRACKET COVER PLATE FRONT LEFT		-
6	A446422	1	MOUNTING BRACKET SHORT COVER PLATE		-
7	A450748	1	MOUNTING BRACKET LEFT COVER PLATE		-
8	A431524	1	MESH HYDRAULIC OIL COOLER		-
9	A438435	1	EDGE BANDING, FAN 800 SERIES		-
10	A446221	1	MOUNTING BRACKET COVER PLATE FRONT RIGHT		-
11	A450610	1	MOUNTING BRACKET COVER PLATE FRONT		-
12	A445628	1	MOUNTING BRACKET COVER PLATE FRONT		-
13	A454142	1	MOUNTING BRACKET COVER PLATE FRONT RIGHT		-
14	A450770	1	WORK LIGHTS LED ON FRONT COVERS ASSEMBLY		86
15	A450071	1	STEP, MACHINE WITH ROPS		-
16	A450093	1	STEP, MACHINE WITH ROPS		-
17	A451440	1	MOUNTING BRACKET LEFT COVER PLATE		-
18	A434360	1	CUP HOLDER, LEFT		-
19	A431510	1	CUP HOLDER, RIGHT		-
20	A452905	1	SIDE PLATE		-
21	A452862	1	COVER PLATE DRIVE PEDALS AND ORBITROL		-
22	75069	2	COUPLING NUT M8 DIN 6334		-
23	A429197	2	HEXAGONAL SERRATED SCREW M8*12 W. FLANGE		-

20.12.2023

PC/HD (optional extra)

A447754 COVER PLATES FRONT FRAME POLYCARBONATE



20.12.2023

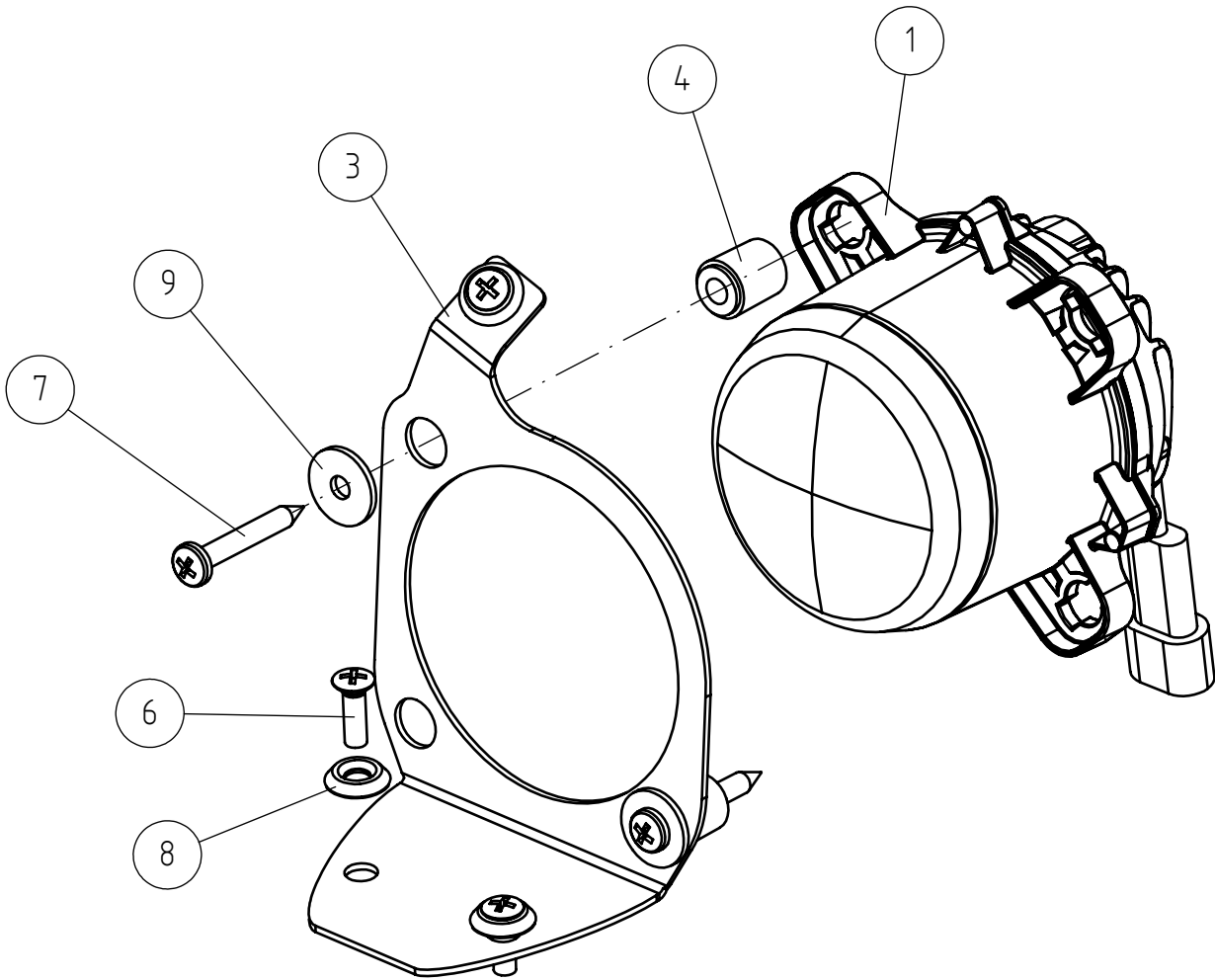
PC/HD (optional extra)

A447754 COVER PLATES FRONT FRAME POLYCARBONATE

REF	PART NO	QTY	DESCRIPTION	NOTES	PAGE
1	A447753	1	COVER PLATE FRONT RIGHT POLYCARBONATE		-
2	A447751	1	COVER PLATE FRONT POLYKARBONAT ROPS / GT		-
3	A447752	1	COVER PLATE FRONT LEFT POLYCARBONATE		-
4	65085	1	LATCH		-
5	A446048	1	MOUNTING BRACKET COVER PLATE FRONT LEFT		-
6	A446422	2	MOUNTING BRACKET SHORT COVER PLATE		-
7	A446430	1	MOUNTING BRACKET LEFT COVER PLATE		-
8	A446412	1	STEP		-
9	A431524	1	MESH HYDRAULIC OIL COOLER		-
10	A438435	1	EDGE BANDING, FAN 800 SERIES		-
11	A445910	1	SIDE PLATE FRONT FRAME RIGHT 500-700		-
12	A445913	1	MOUNTING PLATE UPPER		-
13	A446221	1	MOUNTING BRACKET COVER PLATE FRONT RIGHT		-

20.12.2023

A450770 WORK LIGHTS LED ON FRONT COVERS ASSEMBLY



20.12.2023

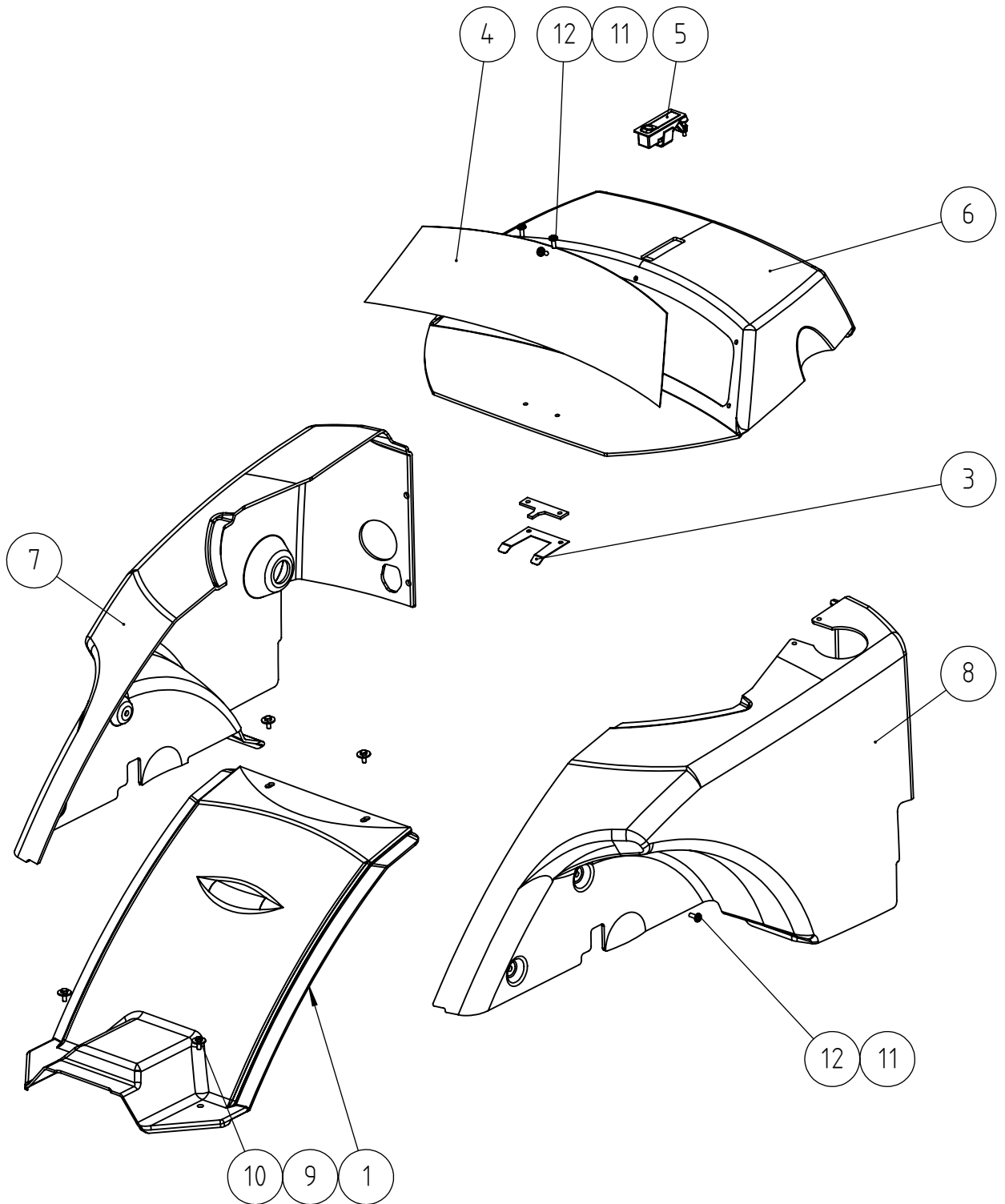
A450770 WORK LIGHTS LED ON FRONT COVERS ASSEMBLY

REF	PART NO	QTY	DESCRIPTION	NOTES	PAGE
1	A441777	2	WORK LIGHT LED 1000 LUMEN 12V		-
2	A450528	1	MOUNTING BRACKET RIGHT WORK LIGHT LED		-
3	A450553	1	MOUNTING BRACKET LEFT WORK LIGHT LED		-
4	A450763	4	BUSHING FRONT LIGHT		-
5	A436960	1	WIRE HARNESS WORK LIGHTS FRONT		-
6	74767	6	RAISED COUNTERSUNK HEAD SCREW M6*20		-
7	A461980	4	SCREW 6X45		-
8	A422221	6	WASHER M6 GREEN PLASTIC, ANALOG FOR		-
9	71681	4	WASHER M6 DIN 440		-

20.12.2023

ABS

A37489 COVER PLATES REAR CHASSIS 420-523, KIT



20.12.2023

ABS

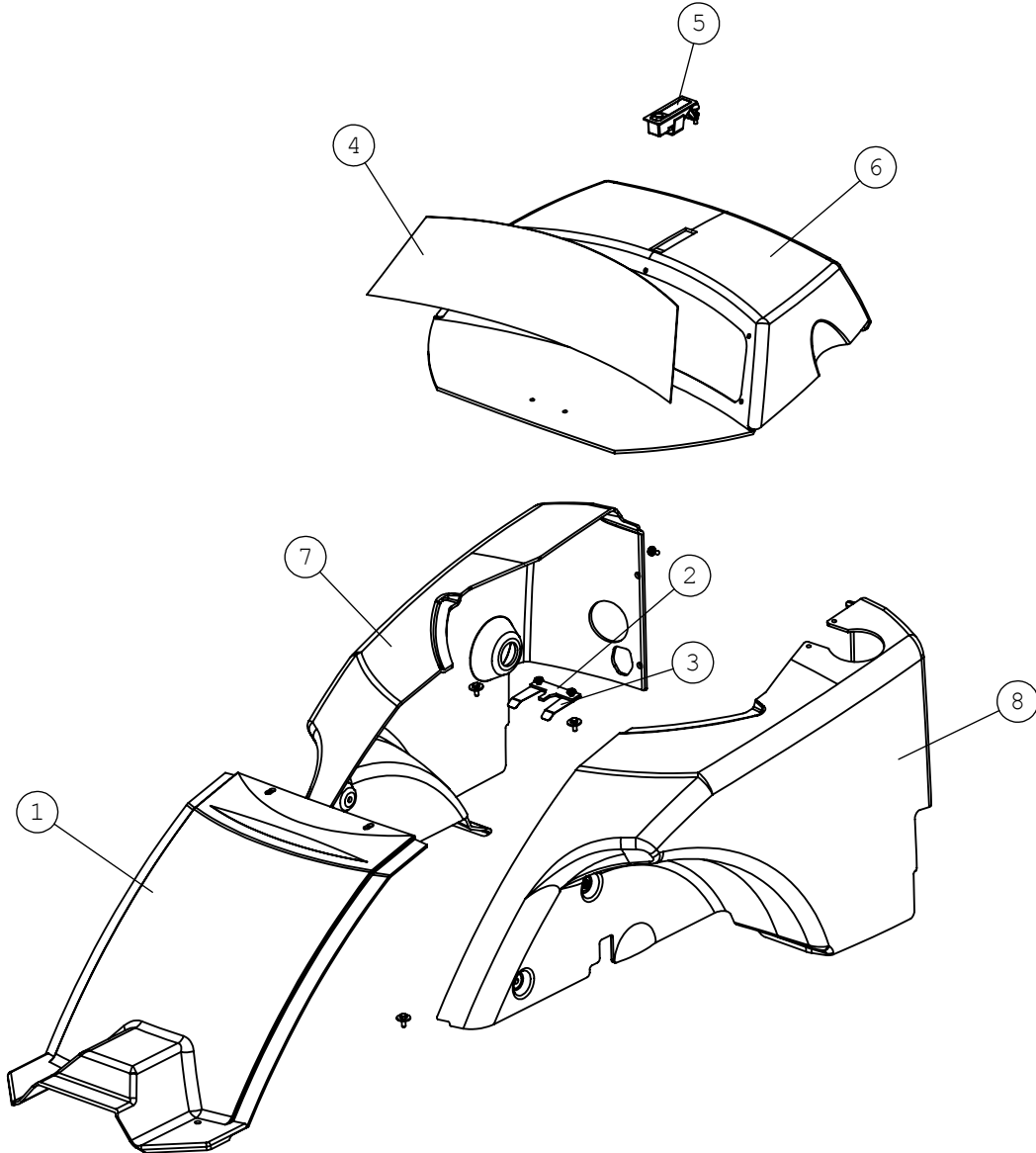
A37489 COVER PLATES REAR CHASSIS 420-523, KIT

REF	PART NO	QTY	DESCRIPTION	NOTES	PAGE
1	A48464	1	COVER PLATE, REAR, CENTER		-
2	A48469	1	CLAMP		-
3	A48479	1	BRACKET		-
4	A49129	1	NET		-
5	65085	1	LATCH		-
6	A416604	1	COVER PLATE, ENGINE, 420/520, 2013/13 =>		-
7	A423265	1	COVER PLATE, REAR, RIGHT, ABS 420-523		-
8	A423264	1	COVER PLATE, REAR, LEFT, ABS 420-523		-
9	71681	4	WASHER M6 DIN 440		-
10	72117	4	HEXAGONAL SCREW M6*16 DIN 933		-
11	74768	4	WASHER CONICAL M6		-
12	74767	4	RAISED COUNTERSUNK HEAD SCREW M6*20		-

20.12.2023

PC/HD, optional extra

A426056 COVER PLATES POLYCARB REAR CHASSIS



20.12.2023

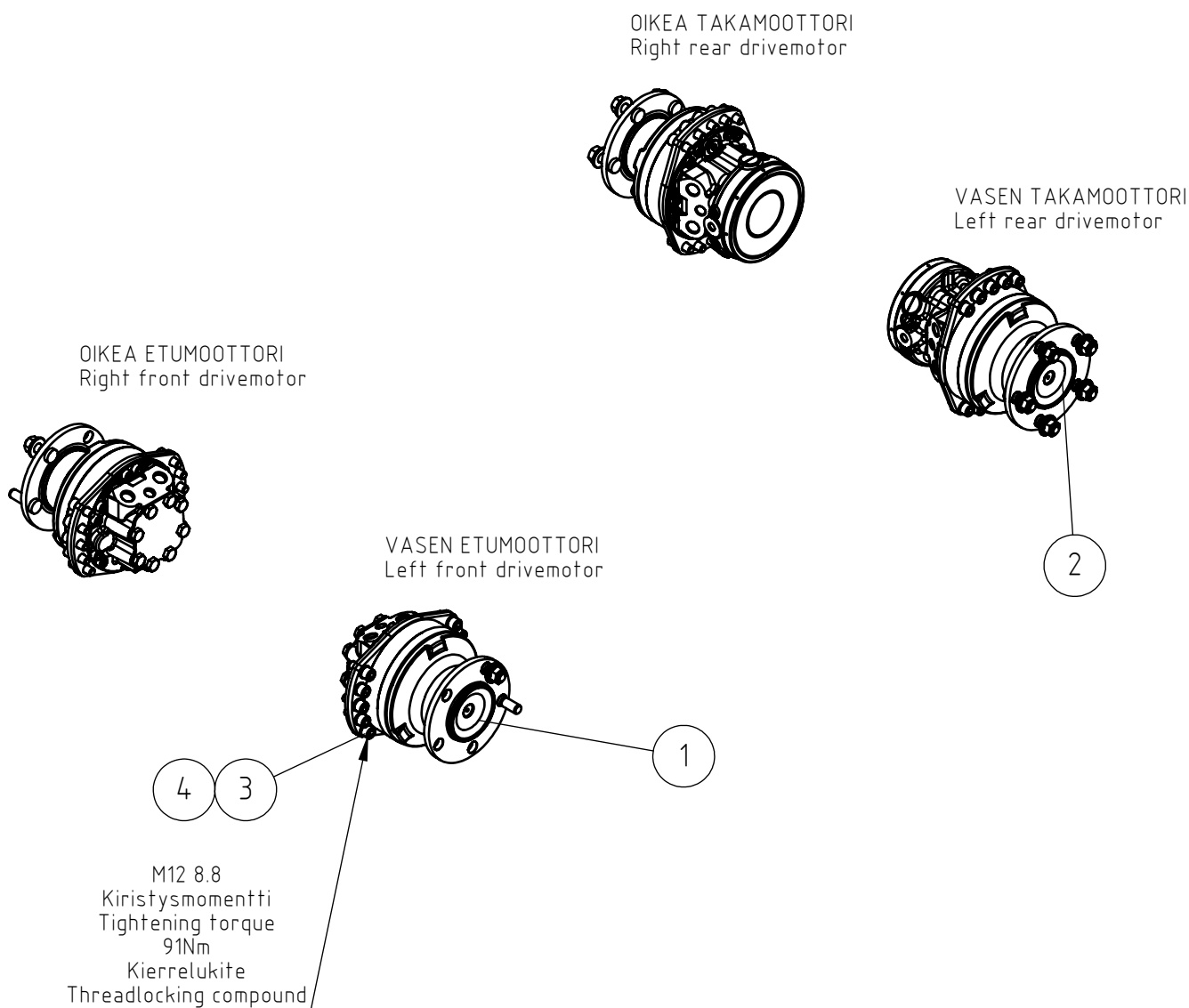
PC/HD, optional extra

A426056 COVER PLATES POLYCARB REAR CHASSIS

REF	PART NO	QTY	DESCRIPTION	NOTES	PAGE
1	A48464	1	COVER PLATE, REAR, CENTER		-
2	A48469	1	CLAMP		-
3	A48479	1	BRACKET		-
4	A49129	1	NET		-
5	65085	1	LATCH		-
6	A416796	1	COVER PLATE, ENGINE, HD, 420/520		-
7	A426032	1	COVER PLATE HD POLYCARB REAR RIGHT		-
8	A426035	1	COVER PLATE HD POLYCARB REAR LEFT		-
9	71681	4	WASHER M6 DIN 440		-
10	72117	4	HEXAGONAL SCREW M6*16 DIN 933		-
11	74768	4	WASHER CONICAL M6		-
12	74767	4	RAISED COUNTERSUNK HEAD SCREW M6*20		-

20.12.2023

A445134 HYDRAULIC MOTOR ASSEMBLY 364 CCM POCLAIN



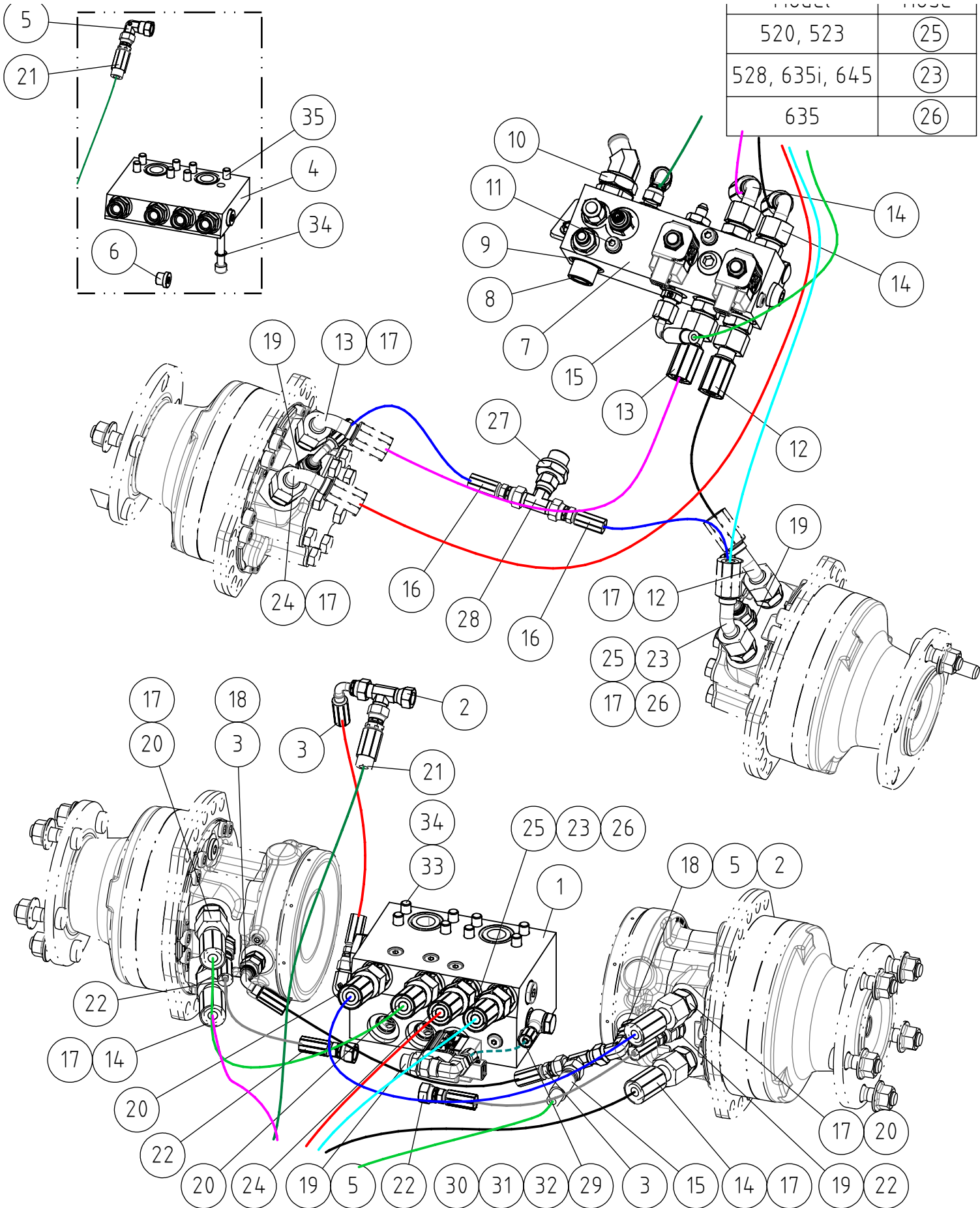
20.12.2023

A445134 HYDRAULIC MOTOR ASSEMBLY 364 CCM POCLAIN

REF	PART NO	QTY	DESCRIPTION	NOTES	PAGE
1	66011	2	HYDRAULIC MOTOR MSE02 364CCM		-
2	66012	2	HYDRAULIC MOTOR B MSE02 364CCM, W. BRAKE		-
3	74846	40	HEXAGONAL HEAD SCREW M12*30 DIN912		-
4	74532	40	WASHER NORDLOCK NL12		-

20.12.2023

A463094



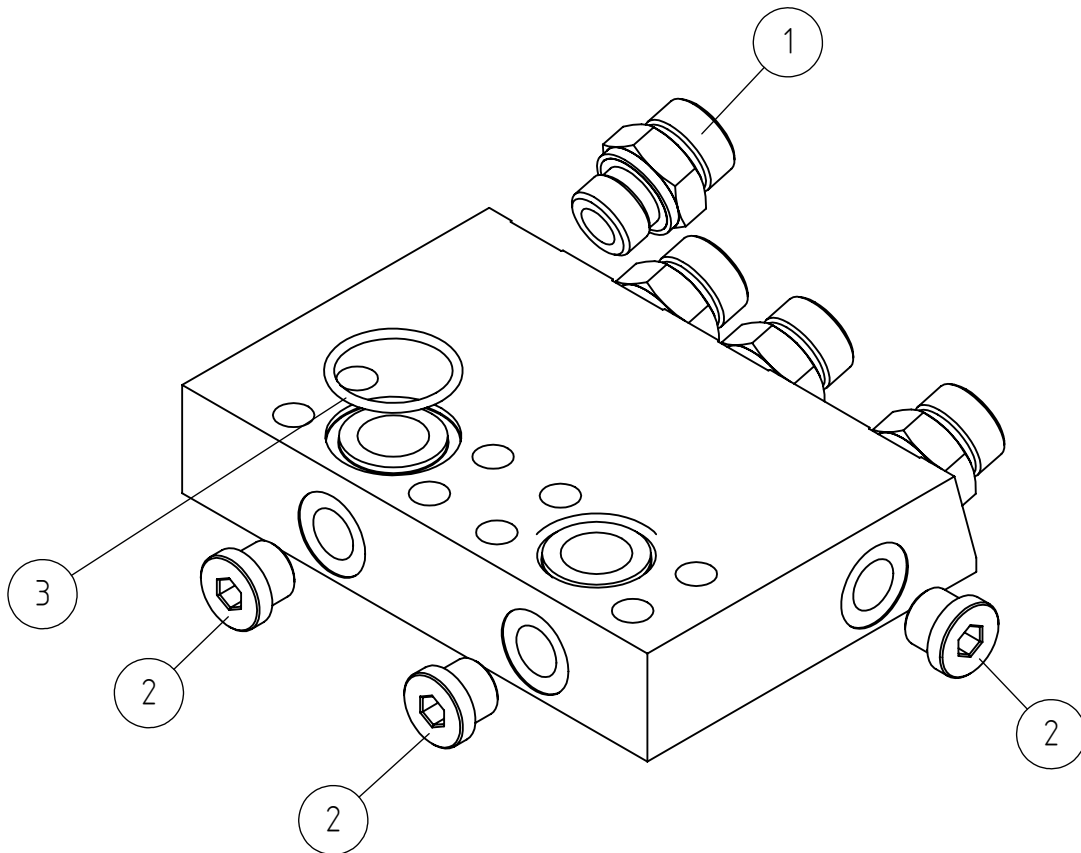
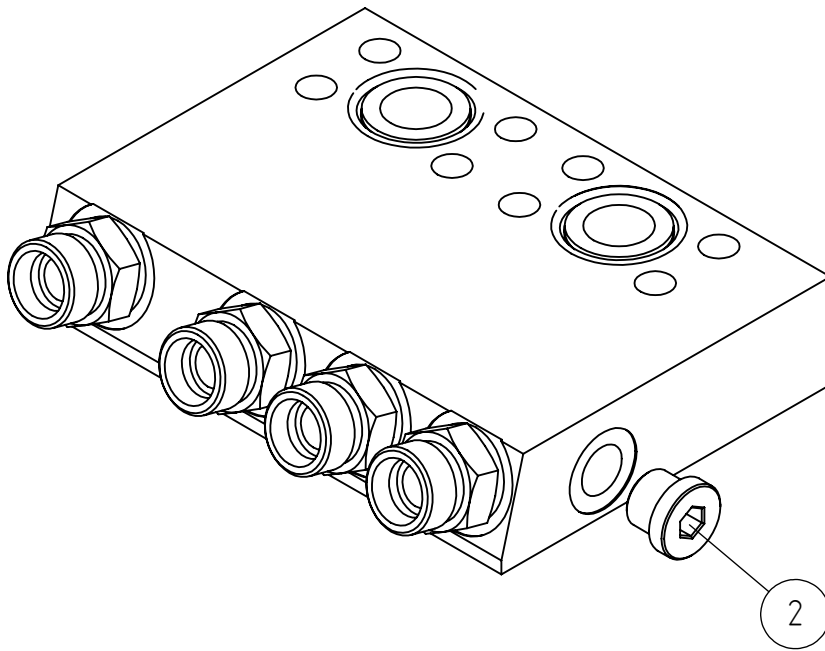
20.12.2023

A463094

REF	PART NO	QTY	DESCRIPTION	NOTES	PAGE
1	A451904	1	HYDRAULIC MANIFOLD ANTI SLIP VALVE		-
2	64078	2	L-FITTING BODY R6XS10		-
3	A410094	2	HYDR. HOSE L=350		-
4	A453608	1			96
5	64043	3	ELBOW FITTING 90° C6XS10		-
6	74411	1	HEXAGONAL PLUG HF 3/8" HTUNG		-
7	A454023	1	HYDRAULIC MANIFOLD 1-SPEED DRIVE RELEASE		98
8	A421825	1	BANJO BOLT, HYDR. MANIFOLD		-
9	75112	2	O-RING NBR F 32,99*2,62 90SH		-
10	66361	1	HOSE BARB 45° R3/4"UK - 20MM		-
11	A455517	1			100
12	A451297	1	HYDR. HOSE L=330		-
13	A451295	1	HYDR. HOSE L=630		-
14	A451435	2	HYDR. HOSE L=1020		-
15	A410093	1	HYDR. HOSE L=1200		-
16	A410165	2	HYDR. HOSE L=300		-
17	A449892	8	BASIC FITTING G1/2" M24*1,5		-
18	64059	2	BASIC FITTING F40XS10-1/4		-
19	64041	5	BASIC FITTING F40XS10-3/8 /8		-
20	A451302	2	HYDR. HOSE L=620		-
21	A422996	1	HYDR. HOSE L=1130		-
22	A428535	2	HYDR. HOSE L=350		-
23	A451433	1	HYDR. HOSE L=1330		-
24	A451432	3	HYDR. HOSE L=1660		-
25	A452995	1			-
26	A452896	1	HYDR. HOSE L=1220		-
27	64040	1	BASIC FITTING F40XS10-1/2 /2		-
28	64070	1	T FITTING S6XS10		-
29	A454837	1	HYDR. HOSE L=265		-
30	64557	1	BANJO BOLT R 1/4"		-
31	73757	1	USIT COMPRESSION R1/4"		-
32	A462237	1	SEALING RING 18/13,25 H=3		-
33	A450240	8	HEXAGONAL HEAD SCREW M10*90 12.9 DIN 912		-
34	A434424	16	SAFETY WASHER M10 3/8"		-
35	75142	8	HEXAGONAL HEAD SCREW M10*50 DIN912 12.9		-

20.12.2023

A453608

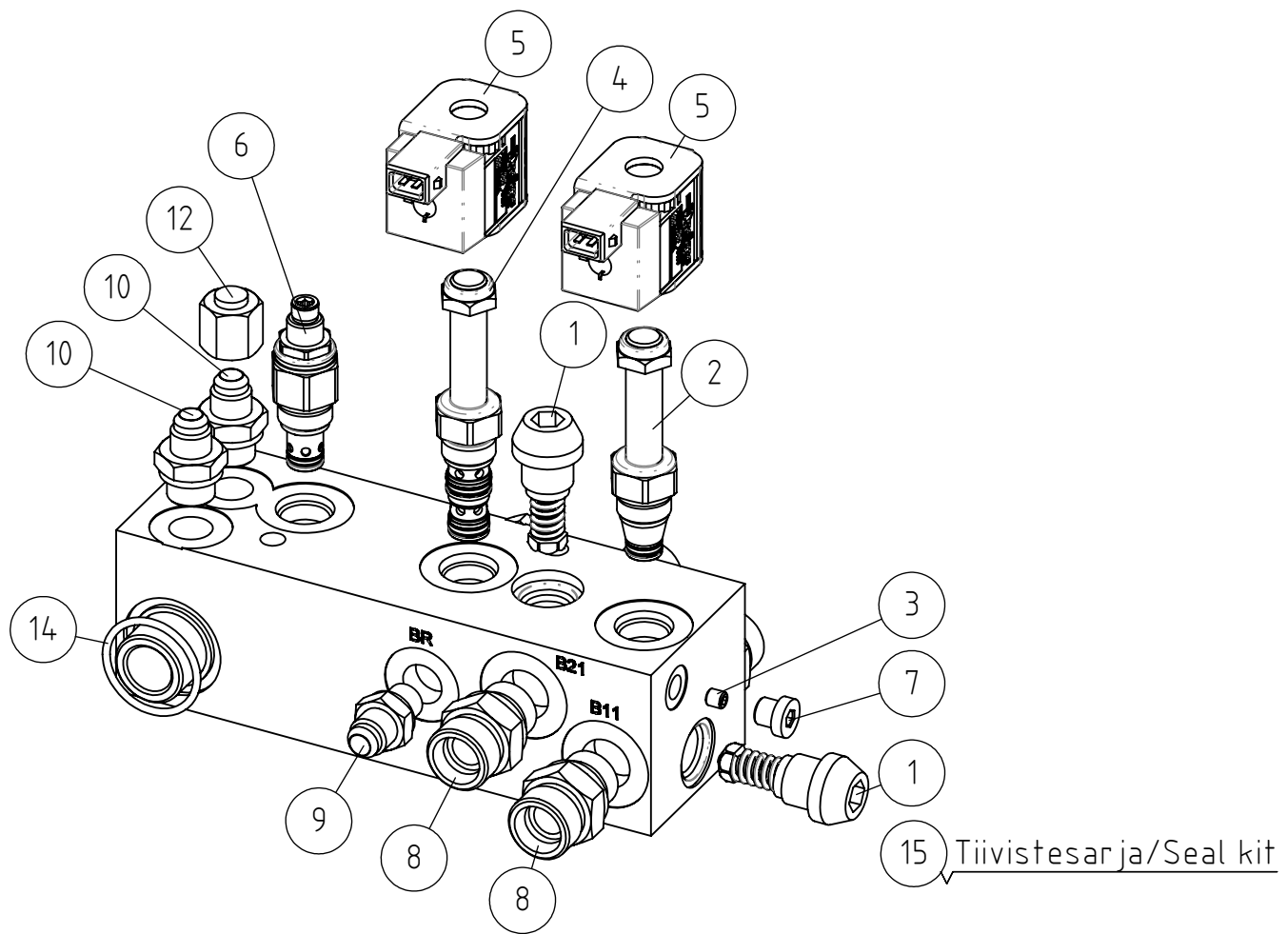


20.12.2023

A453608

REF	PART NO	QTY	DESCRIPTION	NOTES	PAGE
1	A449892	4	BASIC FITTING G1/2" M24*1,5		-
2	74411	4	HEXAGONAL PLUG HF 3/8" HTUNG		-
3	75113	2	O-RING NBR F 31,42*2,62 90SH		-

A454023 HYDRAULIC MANIFOLD 1-SPEED DRIVE RELEASE



HUOM!

Nimike A454023 sisältää

osat (1) - (12)

Tiivistesarja (15) sisältää

osien (1), (2), (4) ja (6)
tiivisteet

NOTE!

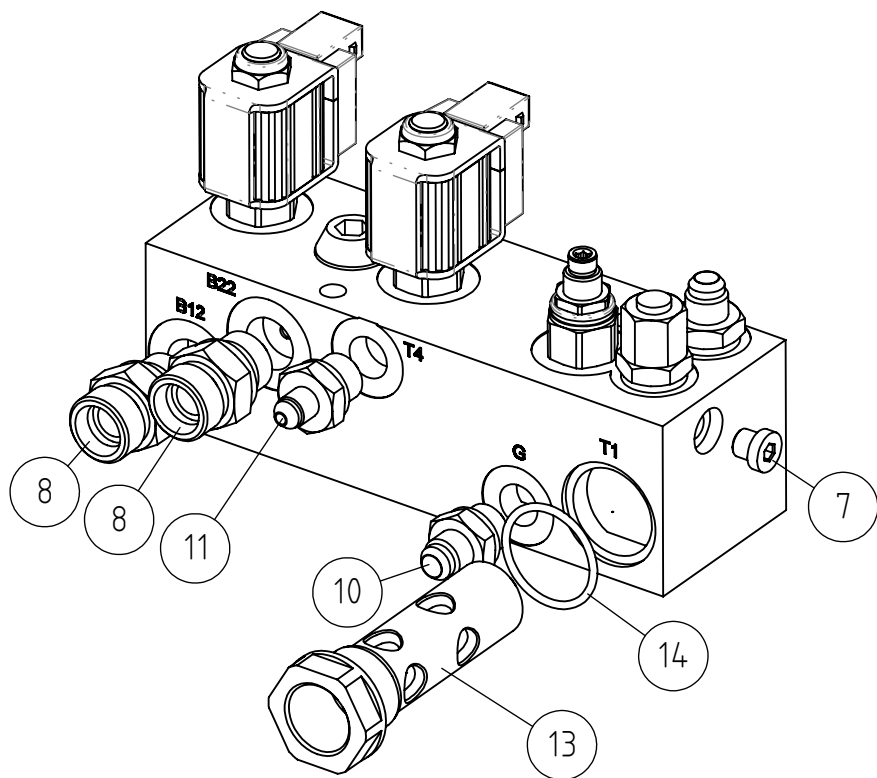
Item A454023 includes

parts (1) - (12)

Seal kit #error: broken link includes

seals for parts (1), (2), (4)

and (6)



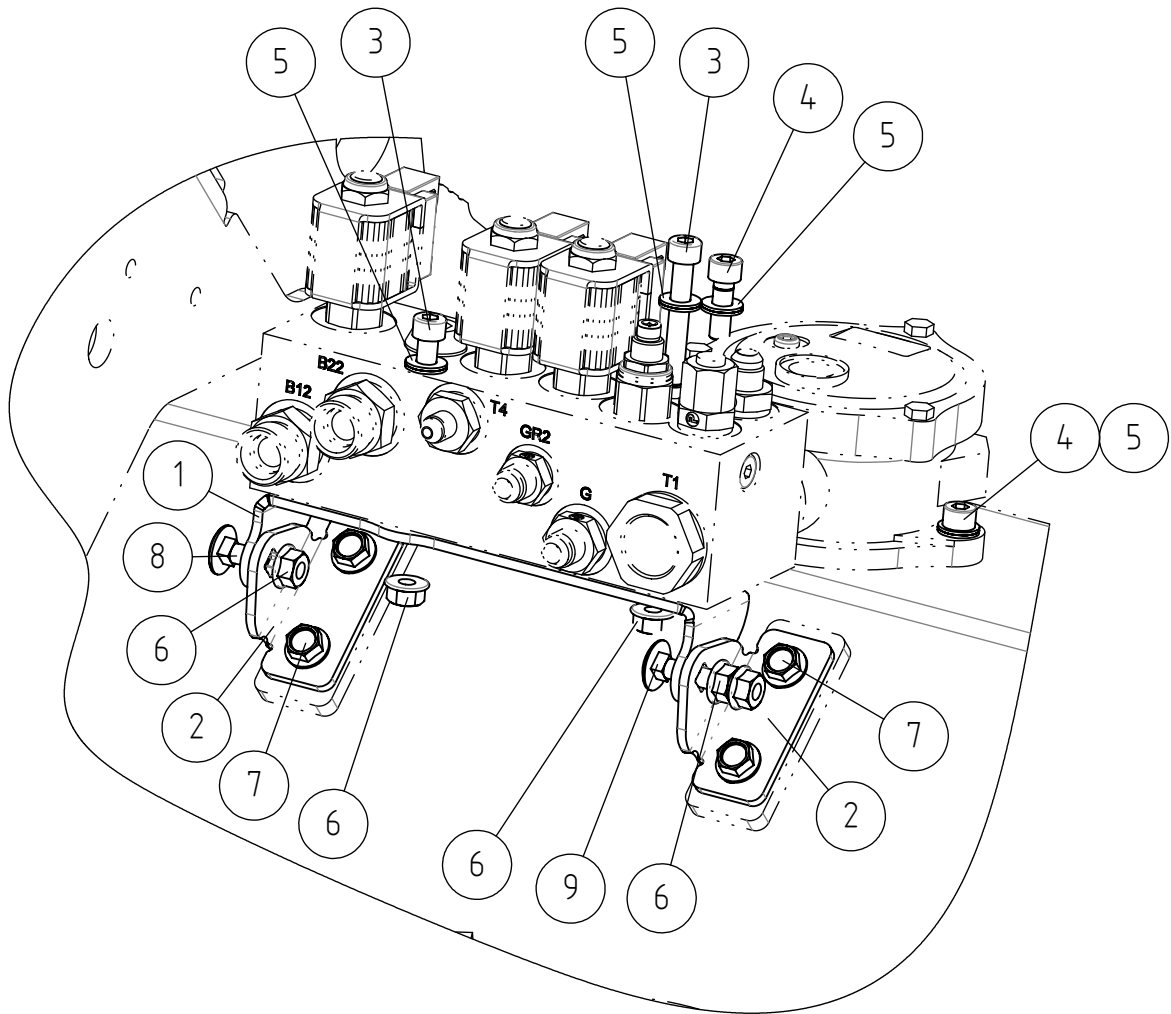
20.12.2023

A454023 HYDRAULIC MANIFOLD 1-SPEED DRIVE RELEASE

REF	PART NO	QTY	DESCRIPTION	NOTES	PAGE
1	A428734	2	PRESSURE RELIEF VALVE CARTRIDGE 380BAR		-
2	A432309	1	VALVE CARTRIDGE DRIVE RELEASE OPTIDRIVE		-
3	A428738	1	FLOW RESTRICTOR M6/1,0MM		-
4	A428584	1	VALVE CARTRIDGE SPOOL VALVE 3/2		-
5	66452	2	SOLENOID 12VDC/19W		-
6	A428735	1	PRESSURE RELIEF VALVE CARTRIDGE 30BAR		-
7	64407	2	HEXAGONAL PLUG R 1/8" WITH PACKING		-
8	A449892	4	BASIC FITTING G1/2" M24*1,5		-
9	64059	1	BASIC FITTING F40XS10-1/4		-
10	64041	3	BASIC FITTING F40XS10-3/8 /8		-
11	64313	1	BASIC FITTING F40XS6-3/8"		-
12	64232	1	FITTING HEAD FNTXS10		-
13	A421825	1	BANJO BOLT, HYDR. MANIFOLD		-
14	75112	2	O-RING NBR F 32,99*2,62 90SH		-
15	A428793	1	SEAL KIT HYDRAULIC MANIFOLD A421616		-

20.12.2023

A455517



20.12.2023

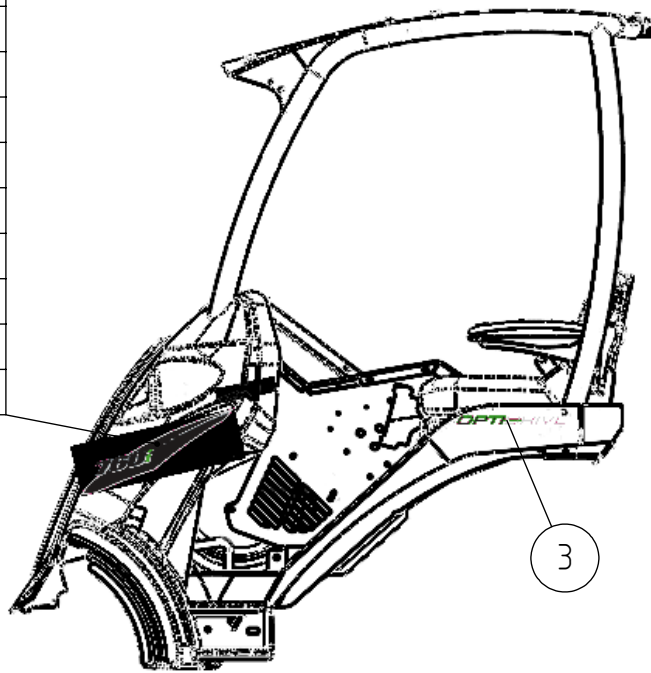
A455517

REF	PART NO	QTY	DESCRIPTION	NOTES	PAGE
1	A455587	1			-
2	A455510	2			-
3	74413	2	HEXAGONAL HEAD SCREW M 8*80 DIN 912 ZN 2		-
4	71884	2	HEXAGONAL HEAD SCREW M 8*25 DIN 912 2		-
5	63944	4	WASHER, PAIR, NORD-LOCK M8		-
6	A450046	5	HEXAGONAL NUT M8 WITH FLANGE		-
7	A429197	4	HEXAGONAL SERRATED SCREW M8*12 W. FLANGE		-
8	A455516	1			-
9	74874	1	CARRIAGE BOLT M8*30 DIN603		-

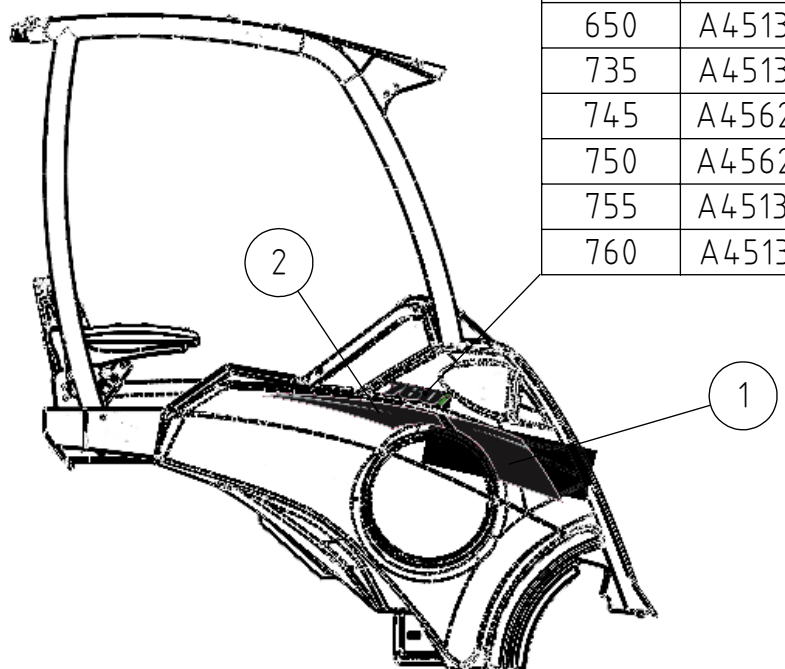
20.12.2023

A451678 DECAL KIT FRONT FRAME 645I - 760I ROPS

Avant	Sticker
520	A457029
523	A456300
528	A456284
530	A456286
630	A456289
635	A456291
635i	A457019
640	A456294
640i	A457023
645	A451345
650	A451346
735	A451347
745	A456296
750	A456298
755	A451348
760	A451314



Avant	Tarra
520	A457028
523	A456299
528	A456283
530	A456285
630	A456288
635	A456290
635i	A457018
640	A456292
640i	A457022
645	A451322
650	A451342
735	A451343
745	A456295
750	A456297
755	A451344
760	A451325



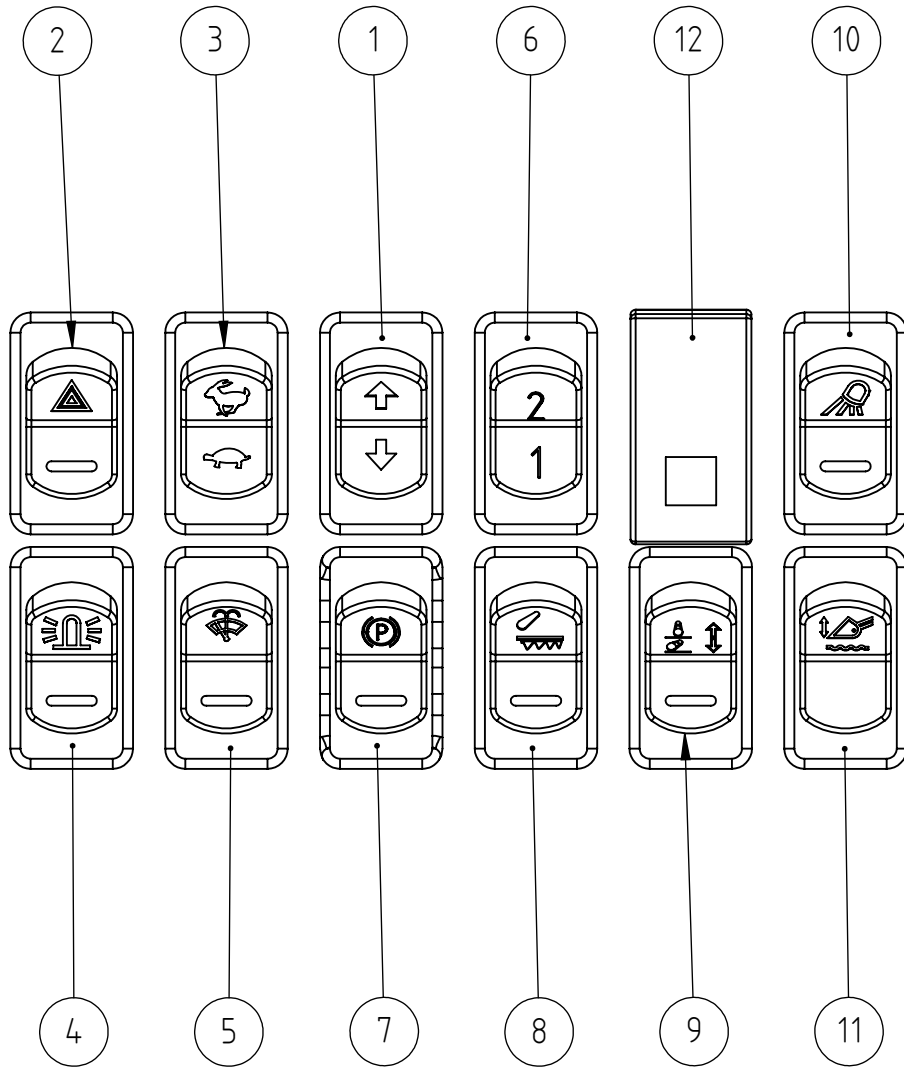
20.12.2023

A451678 DECAL KIT FRONT FRAME 645I - 760I ROPS

REF	PART NO	QTY	DESCRIPTION	NOTES	PAGE
1	A451313	1	DECAL BLACK STRIPE LOWER RIGHT SIDE		-
2	A451381	1	DECAL BLACK STRIPE UPPER, RIGHT SIDE		-
3	A451318	1	DECAL "OPTIDRIVE" LEFT SIDE FRONT FRAME		-
4	A457028	1	DECAL "520" FRONT FRAME RIGHT SIDE		-
5	A457029	1	DECAL "520" FRONT FRAME ROPS LEFT SIDE		-
6	A456299	1	DECAL "523" FRONT FRAME RIGHT SIDE		-
7	A456300	1	DECAL "523" FRONT FRAME ROPS LEFT SIDE		-
8	A456283	1	DECAL "528" FRONT FRAME RIGHT SIDE		-
9	A456284	1	DECAL "528" FRONT FRAME ROPS LEFT SIDE		-
10	A456285	1	DECAL "530" FRONT FRAME RIGHT SIDE		-
11	A456286	1	DECAL "530" FRONT FRAME ROPS LEFT SIDE		-
12	A456288	1	DECAL "630" FRONT FRAME RIGHT SIDE		-
13	A456289	1	DECAL "630" FRONT FRAME ROPS LEFT SIDE		-
14	A456290	1	DECAL "635" FRONT FRAME RIGHT SIDE		-
15	A456291	1	DECAL "635" FRONT FRAME ROPS LEFT SIDE		-
16	A457018	1	DECAL "635I" FRONT FRAME RIGHT SIDE		-
17	A457019	1	DECAL "635I" FRONT FRAME ROPS LEFT SIDE		-
18	A456292	1	DECAL "640" FRONT FRAME RIGHT SIDE		-
19	A456294	1	DECAL "640" FRONT FRAME ROPS LEFT SIDE		-
20	A457022	1	DECAL "640I" FRONT FRAME RIGHT SIDE		-
21	A457023	1	DECAL "640I" FRONT FRAME ROPS LEFT SIDE		-
22	A451322	1	DECAL "645I" RIGHT SIDE FRONT FRAME		-
23	A451345	1	DECAL "645I" LEFT SIDE FRONT FRAME ROPS		-
24	A451342	1	DECAL "650I" RIGHT SIDE FRONT FRAME		-
25	A451346	1	DECAL "650I" LEFT SIDE FRONT FRAME ROPS		-
26	A451343	1	DECAL "735" RIGHT SIDE FRONT FRAME		-
27	A451347	1	DECAL "735" LEFT SIDE FRONT FRAME ROPS		-
28	A464135	1	DECAL "735I" FRONT FRAME RIGHT		-
29	A464137	1	DECAL "735I" FRONT FRAME ROPS LEFT		-
30	A456295	1	DECAL "745" FRONT FRAME RIGHT SIDE		-
31	A456296	1	DECAL "745" FRONT FRAME ROPS LEFT SIDE		-
32	A456297	1	DECAL "750" FRONT FRAME RIGHT SIDE		-
33	A456298	1	DECAL "750" FRONT FRAME ROPS LEFT SIDE		-
34	A451344	1	DECAL "755I" RIGHT SIDE FRONT FRAME		-
35	A451348	1	DECAL "755I" LEFT SIDE FRONT FRAME ROPS		-
36	A451325	1	DECAL "760I" RIGHT SIDE FRONT FRAME		-
37	A451314	1	DECAL "760I" LEFT SIDE FRONT FRAME ROPS		-

20.12.2023

A414821 ROCKER SWITCHES, ALL



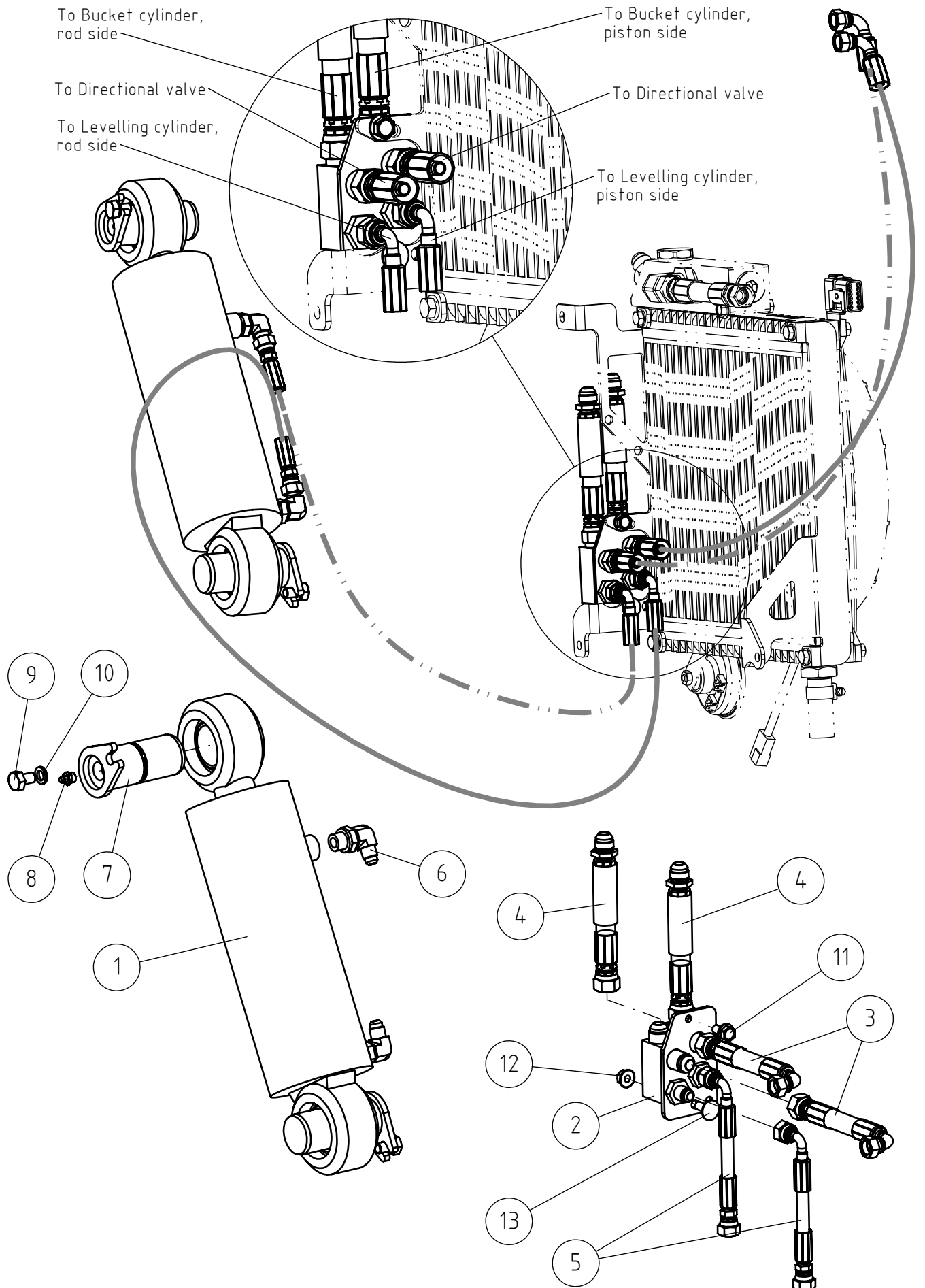
20.12.2023

A414821 ROCKER SWITCHES, ALL

REF	PART NO	QTY	DESCRIPTION	NOTES	PAGE
1	65476	1	SWITCH, 2 DIRECTIONS		-
2	65064	1	SWITCH, WARNING BLINKER		-
3	65246	1	SWITCH, DRIVE SPEED AREA, 750		-
4	65065	1	SWITCH, BEACON		-
5	65063	1	SWITCH, WIPER/WASHER		-
6	65276	1	ROCKER SWITCH, REAR AUXILIARY HYDRAULICS		-
7	65216	1	SWITCH, PARKING BRAKE		-
8	65277	1	ROCKER SWITCH, FLOATING, HYDR. REAR LIFT		-
9	65278	1	ROCKER SWITCH, HYDR. REAR LIFT		-
10	65066	1	SWITCH, WORK LIGHT		-
11	A437190	1	SWITCH SMOOTH DRIVE		-
12	A430996	1	CONTROL SWITCH, HYDR ATTACHMENT COUPLING		-

20.12.2023

A455807 BOOM SELF LEVELLING, 500 & E SERIES



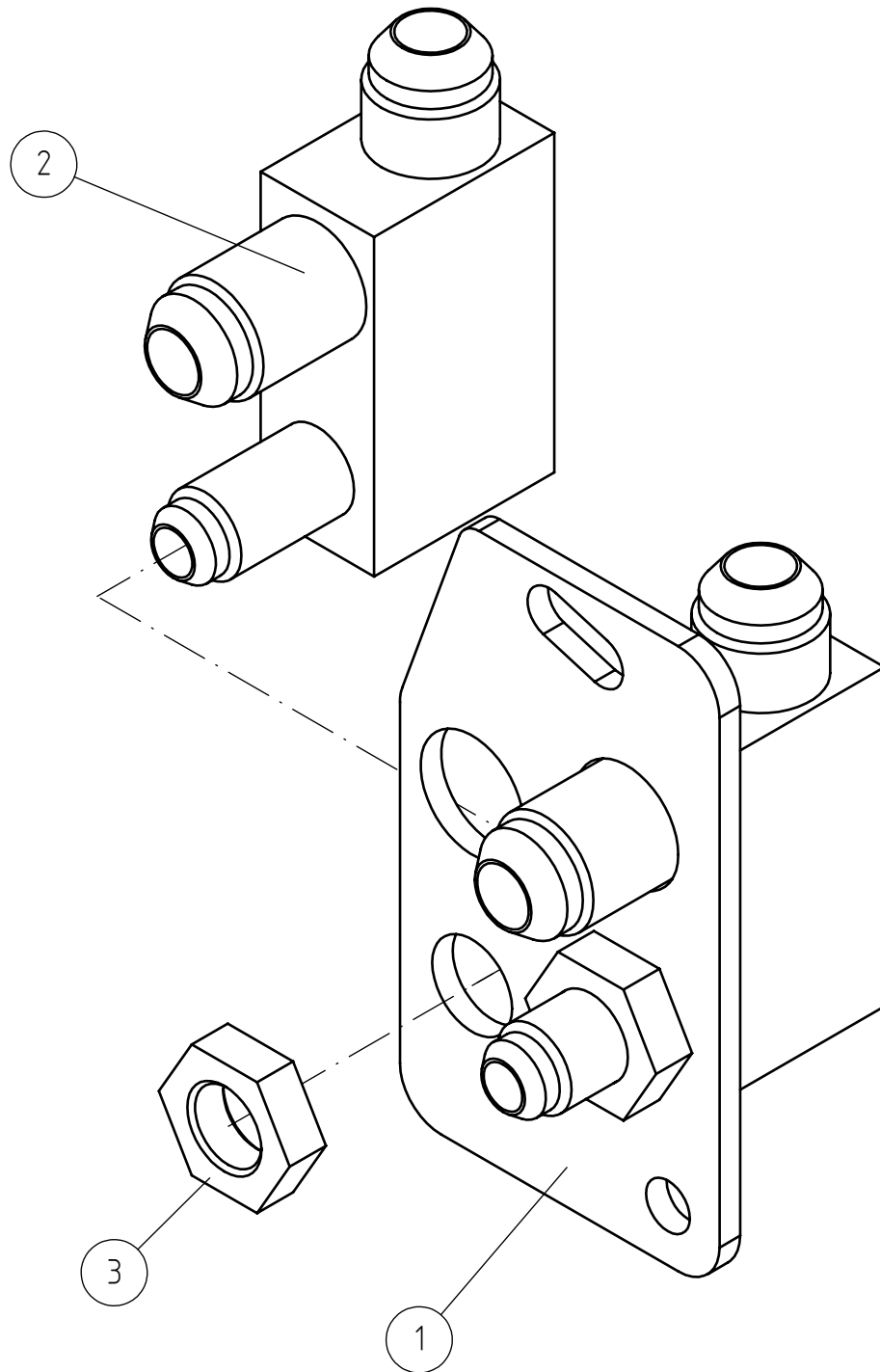
20.12.2023

A455807 BOOM SELF LEVELLING, 500 & E SERIES

REF	PART NO	QTY	DESCRIPTION	NOTES	PAGE
1	A47920	1	HYDR. CYLINDER F90/F40-142		-
1.1	65005	1	SEAL KIT, CYLINDER 90/40 A47920 A47921		-
1.2	64911	2	ARTICUL. BEARING GE40ES F62/40-28(22)		-
2	A458483	1	DIVIDER WITH FITTINGS, HOSES, ASSEMBLY		108
3	A456235	2	HYDR. HOSE L=930		-
4	A456237	2	HYDR. HOSE L=1150		-
5	A450417	2	HYDR. HOSE L=1250		-
6	64044	2	ELBOW FITTING 90° C40XS10-3/8 /8		-
7	A47041	2	PIVON PIN F40-90		-
8	72798	2	GREASE NIPPLE R 1/8" STRAIGHT		-
9	72147	2	HEXAGONAL SCREW M 10*16 DIN 933		-
10	74531	2	SPACER NORDLOCK M10, PAIR		-
11	A429200	1	HEXAGONAL SERRATED SCREW M8*16 WITH FLAN		-
12	A450046	1	HEXAGONAL NUT M8 WITH FLANGE		-
13	74836	1	CARRIAGE BOLT M8*20		-

20.12.2023

A458483 DIVIDER WITH FITTINGS, HOSES, ASSEMBLY



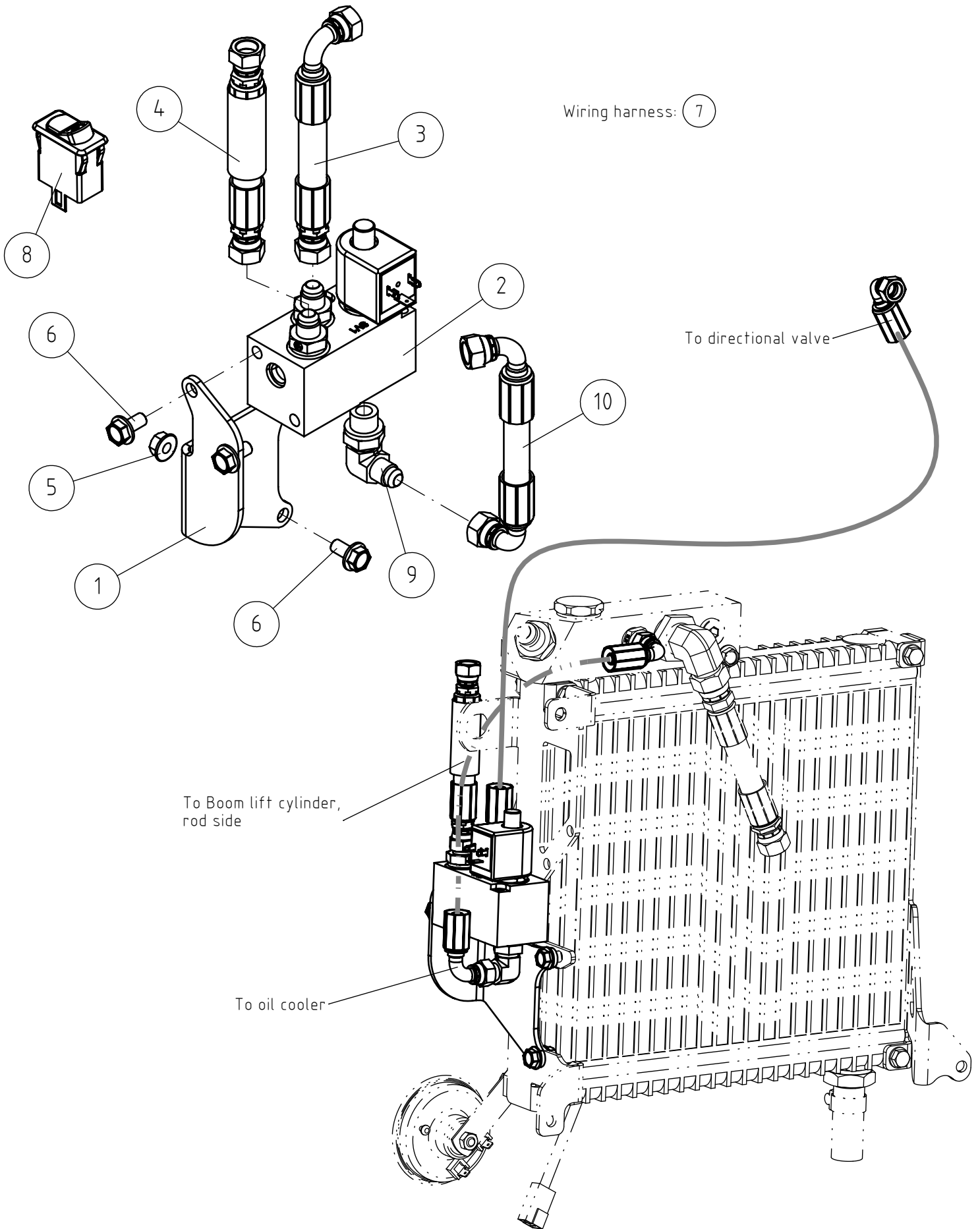
20.12.2023

A458483 DIVIDER WITH FITTINGS, HOSES, ASSEMBLY

REF	PART NO	QTY	DESCRIPTION	NOTES	PAGE
1	A458259	1	MOUNTING PLATE CONNECTORS		-
2	A458127	2	ADAPTOR FOR HOSES		-
3	A458399	2	COUNTER NUT UNF 9/16"-18		-

20.12.2023

A455802 BOOM FLOATING, MACHINE WITHOUT SELF



20.12.2023

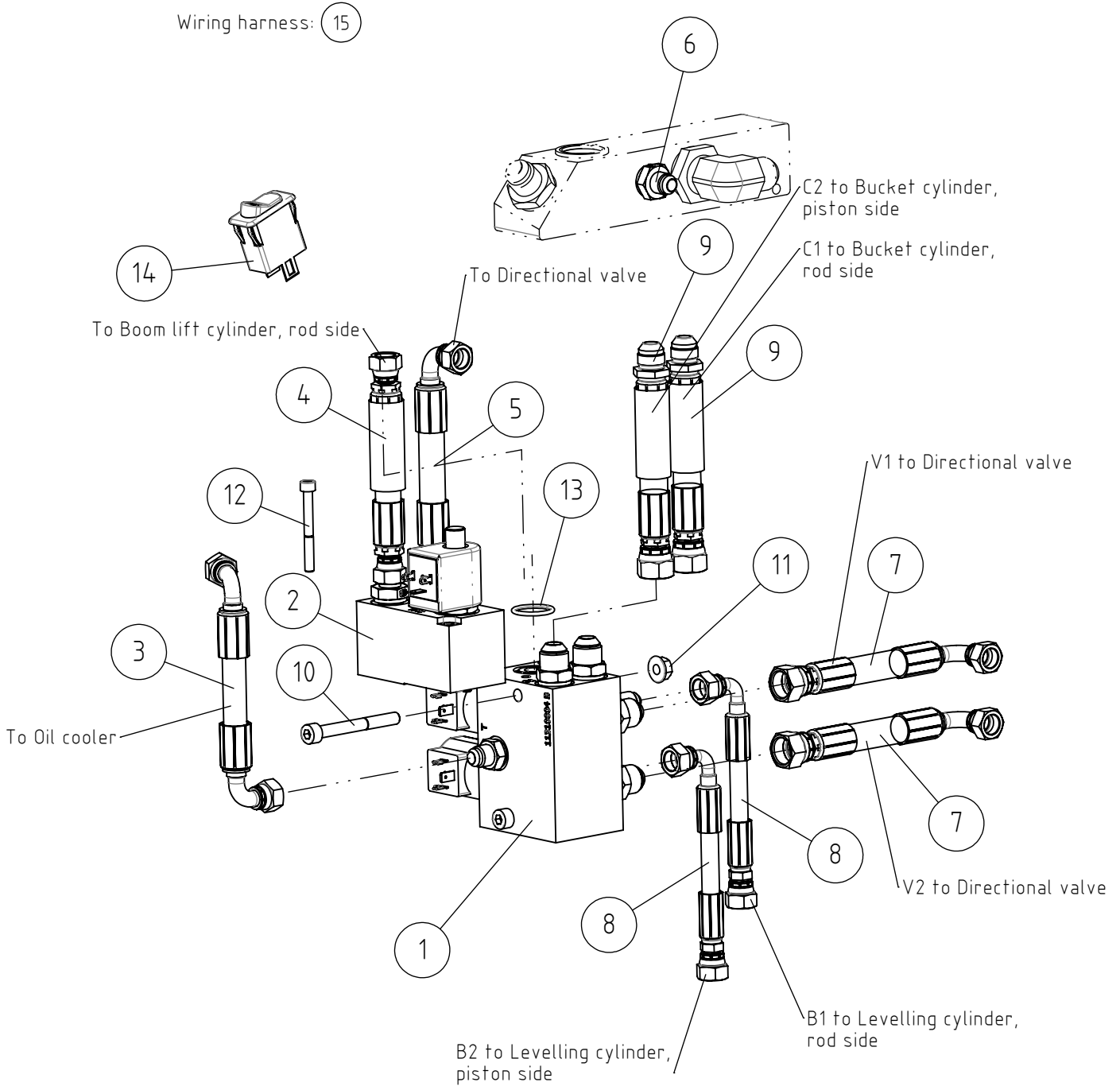
A455802 BOOM FLOATING, MACHINE WITHOUT SELF

REF	PART NO	QTY	DESCRIPTION	NOTES	PAGE
1	A456654	1	MOUNTING BRACKET SOLENOID VALVE		-
2	A449669	1	SOLENOID VALVE 2/2		-
3	A445095	1	HYDR. HOSE L=880		-
4	A450402	1	HYDR. HOSE L=1270		-
5	A450046	2	HEXAGONAL NUT M8 WITH FLANGE		-
6	A429200	4	HEXAGONAL SERRATED SCREW M8*16 WITH FLAN		-
7	A454254	1	WIRE HARNESS BOOM FLOATING WITH SELF		-
8	A437190	1	SWITCH SMOOTH DRIVE		-
9	64044	1	ELBOW FITTING 90° C40XS10-3/8 /8		-
10	A450400	1	HYDR. HOSE L=500		-

20.12.2023

Boom floating when self levelling

A455803 BOOM FLOATING, WHEN SELF LEVELLING



20.12.2023

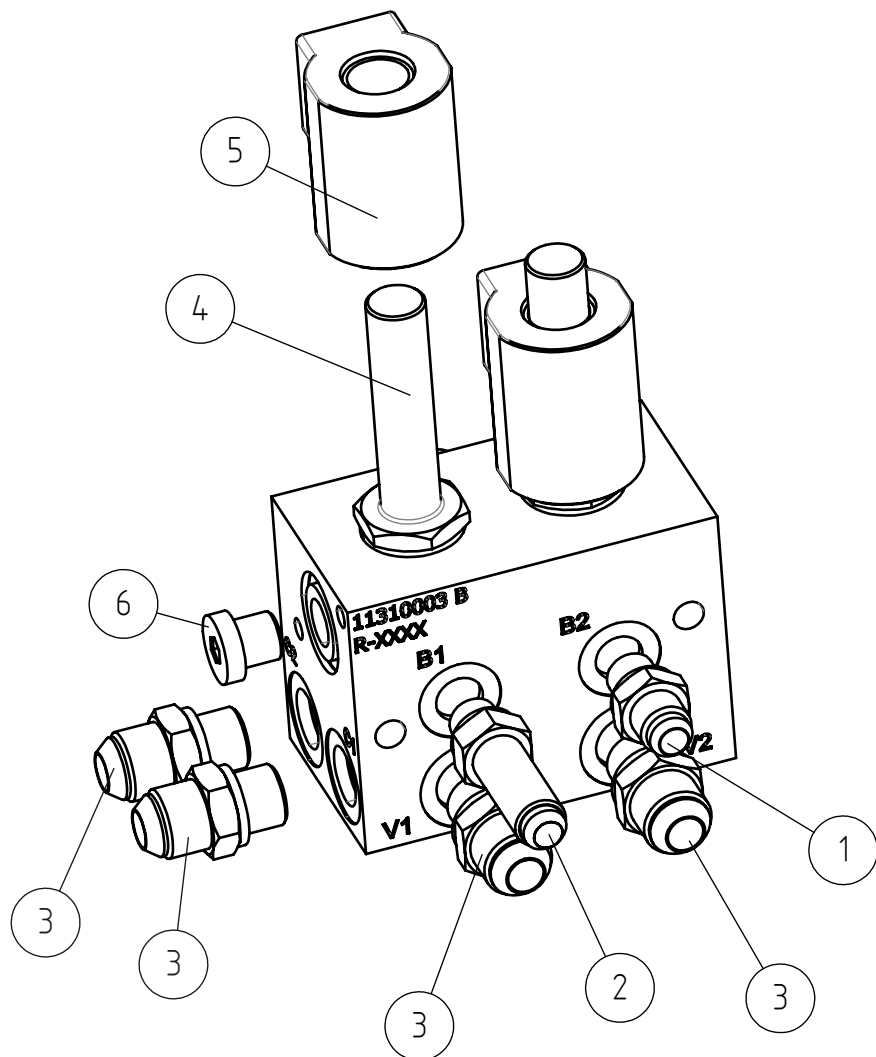
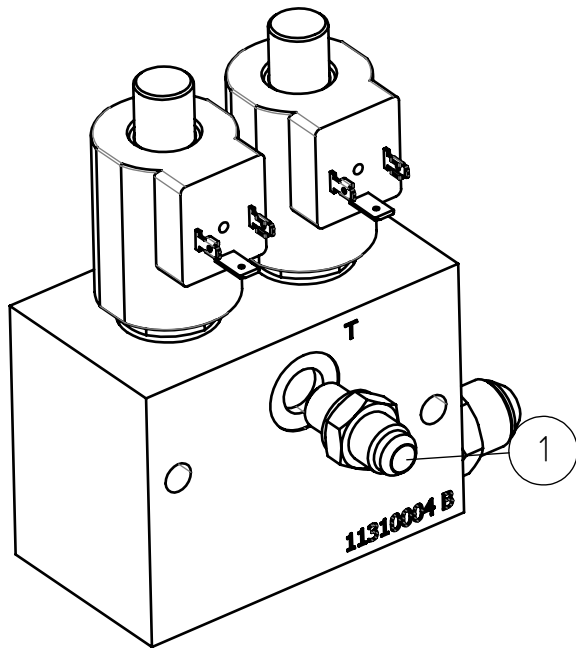
Boom floating when self levelling

A455803 BOOM FLOATING, WHEN SELF LEVELLING

REF	PART NO	QTY	DESCRIPTION	NOTES	PAGE
1	A449741	1	DIRECTIONAL VALVE ASSEMBLY BOOM FLOAT &		114
2	A449669	1	SOLENOID VALVE 2/2		-
3	A450400	1	HYDR. HOSE L=500		-
4	A450402	1	HYDR. HOSE L=1270		-
5	A445095	1	HYDR. HOSE L=880		-
6	64041	1	BASIC FITTING F40XS10-3/8 /8		-
7	A456235	2	HYDR. HOSE L=930		-
8	A450417	2	HYDR. HOSE L=1250		-
9	A456237	2	HYDR. HOSE L=1150		-
10	A442472	2	HEXAGONAL HEAD SCREW M8*70 DIN 912 8.8		-
11	A450046	2	HEXAGONAL NUT M8 WITH FLANGE		-
12	74478	2	HEXAGONAL HEAD SCREW M6* 55		-
13	A450398	1	O-RING D23.47X2.62		-
14	A437190	1	SWITCH SMOOTH DRIVE		-
15	A440277	1	WIRE HARNESS SMOOTH DRIVE, TO VALVES		-

20.12.2023

A449741 DIRECTIONAL VALVE ASSEMBLY BOOM FLOAT &



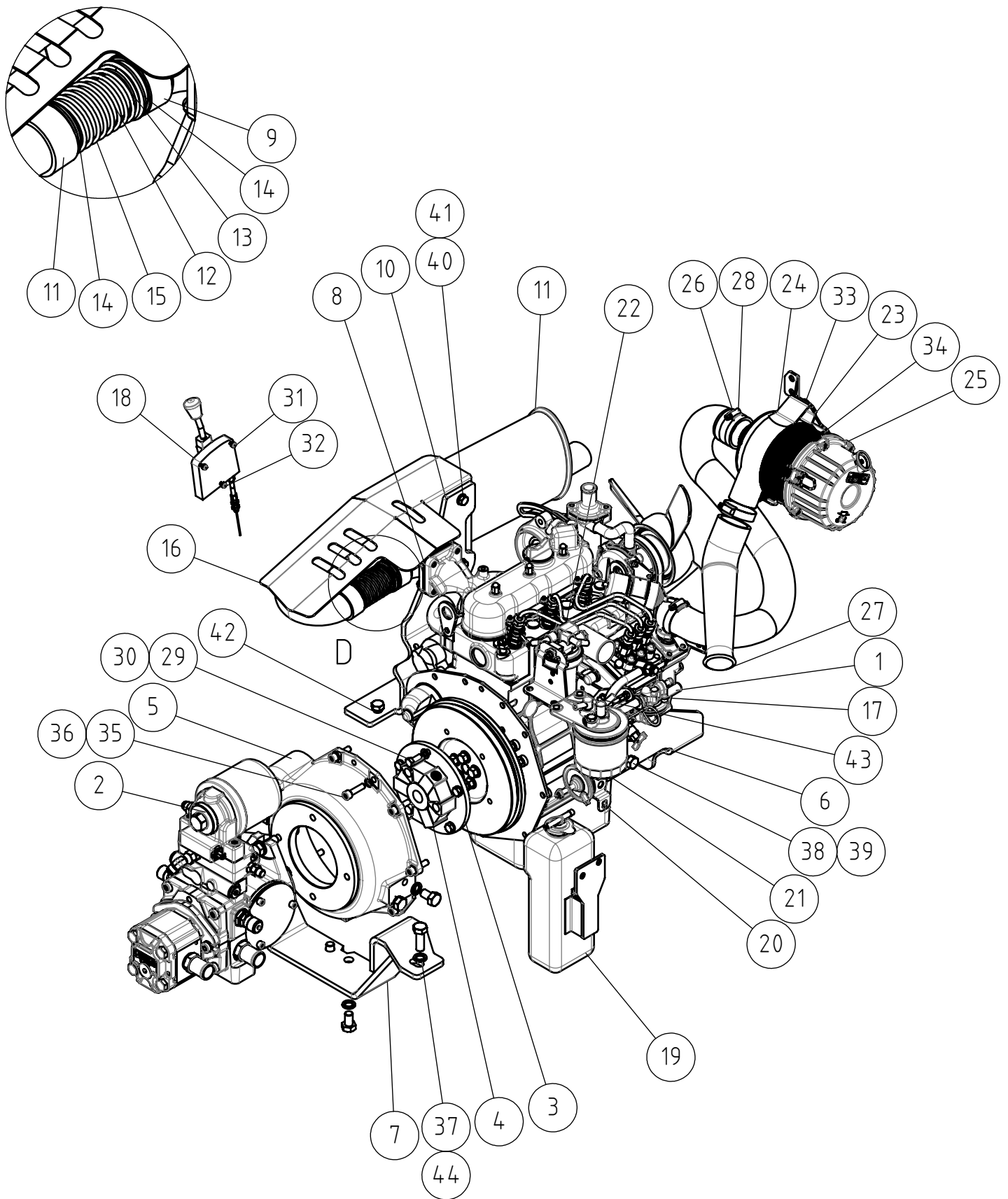
20.12.2023

A449741 DIRECTIONAL VALVE ASSEMBLY BOOM FLOAT &

REF	PART NO	QTY	DESCRIPTION	NOTES	PAGE
1	64059	2	BASIC FITTING F40XS10-1/4		-
2	A453598	1	BASIC FITTING G1/4" OUTSIDE THREAD		-
3	64042	4	BASIC FITTING F40XS12-3/8 /8		-
4	A432527	2	VALVE CARTRIDGE 3/2 CONTROL VALVE		-
5	A432544	2	SOLENOID 12V / 26W		-
6	64700	1	HEXAGONAL PLUG R 1/4"		-

20.12.2023

A424299 ENGINE D722 ASSEMBLY



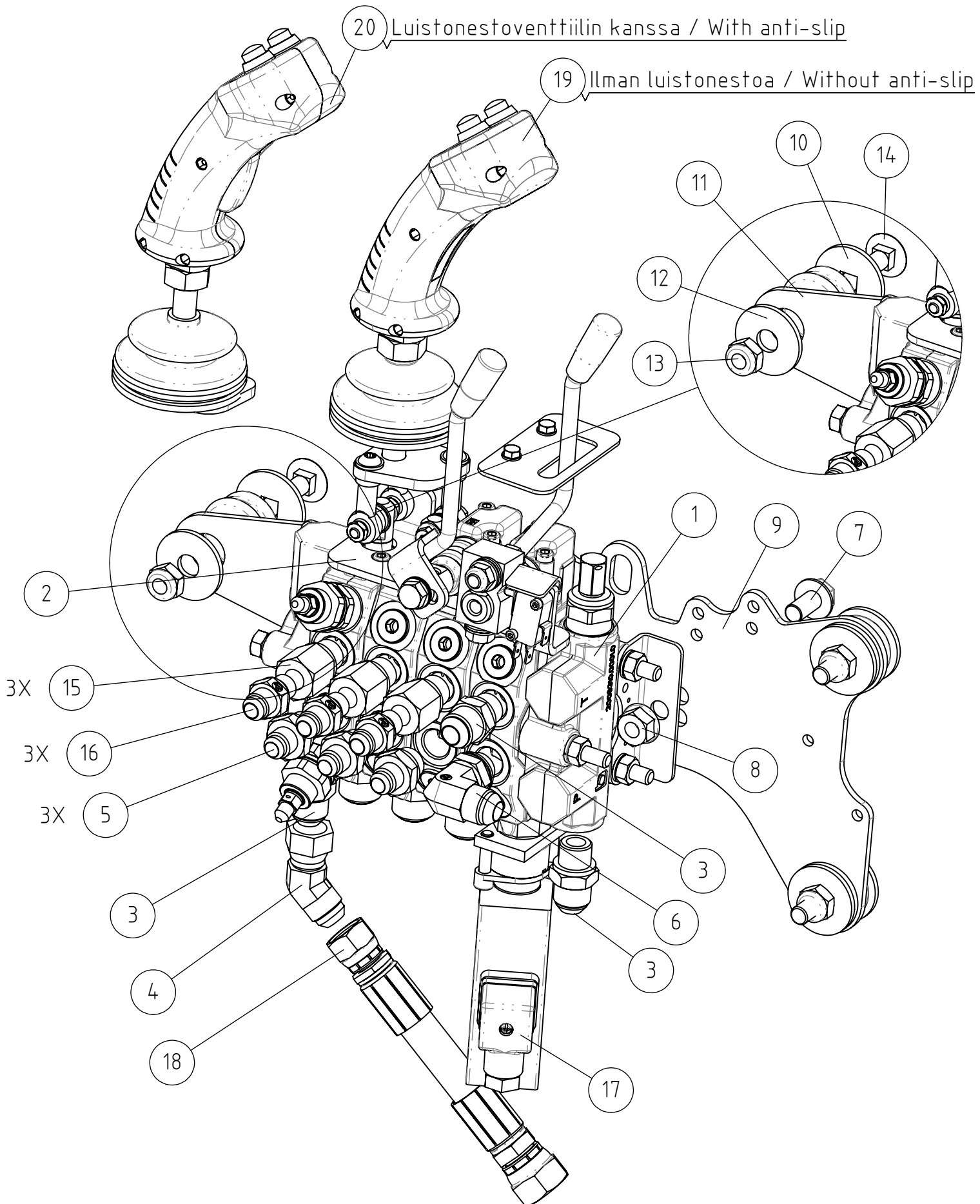
20.12.2023

A424299 ENGINE D722 ASSEMBLY

REF	PART NO	QTY	DESCRIPTION	NOTES	PAGE
1	64409	1	DIESEL ENGINE KUBOTA D722 WITHOUT RADIAT		-
2	A37578	1	HYDRAULIC PUMPS ASSEMBLY 520 OPTIDRIVE		140
3	A44462	1	ADAPTER FLANGE TO CENTAFLEX 4 COUPLING		-
4	64686	1	COUPLING CENTAFLEX A004-1-AVANT3 Z=13		-
5	64375	1	FLYWHEEL HOUSING KUBOTA SAE B FLANGE		-
6	A423137	1	MOUNTING BRACKET REAR, ENGINE D722 / 520		-
7	A415145	1	MOUNTING BRACKET, FRONT, ENGINE		-
8	64280	1	SEAL, EXHAUST PIPE, KUBOTA Z482/D722		-
9	A48482	1	CONNECTING PIPE, EXHAUST MUFFLER		-
10	A48475	1	BRACKET, EXHAUST MUFFLER		-
11	A48476	1	EXHAUST MUFFLER		-
12	A46004	1	EXHAUST PIPE, OUTER		-
13	A46003	1	EXHAUST PIPE, INNER		-
14	A46002	2	RING		-
15	A46005	1	SPRING 3*41*140 NT 8,5		-
16	A420183	1	HEAT SHIELD EXHAUST PIPE		-
17	A42156	1	BRACKET, THROTTLE WIRE		-
18	A420564	1	HAND THROTTLE WITH GAS WIRE L=2700MM		-
18.1	A47712	1	THROTTLE WIRE L=3000/2700		-
19	65067	1	OVERFLOW TANK 1,30 L RADIATOR KUBOTA		-
20	64625	1	FUEL PUMP ELECTR.		-
21	64868	1	FUEL FILTER, KIT, KUBOTA		-
21.1	64626	1	FUEL FILTER CARTRIDGE 15221-4308-0		-
22	64920	1	WATER SEQUESTER, KIT, KUBOTA 16614-43001		-
23	A422697	1	BRACKET, AIR FILTER		-
24	66468	1	CLAMP, AIR FILTER 66469		-
25	66469	1	AIR FILTER, COMPLETE, D902, 423/523		-
25.1	66516	1	AIR FILTER CARTRIDGE 423/523 KUBOTA D902		-
26	A416516	1	INLET HOSE		-
27	A419968	1	SUCTION DAMPER AIR FILTER 420-523		-
28	64338	3	HOSE CLAMP ABA 44-56 MM		-
29	72130	5	HEXAGONAL SCREW M8*20		-
30	73962	5	WASHER M 8 DIN 127		-
31	74582	3	CROSS-SLOT COUNTERSUNK HEAD SCREW M4*25		-
32	72313	3	HEXAGONAL NUT M4 DIN 985 NYLOC		-
33	75131	2	BUTTON HEAD SOCKET CAP SCREW M8*12 10.9		-
34	72319	6	HEXAGONAL NUT M8 DIN 934		-
35	73100	7	HEXAGONAL HEAD SCREW M8*30 DIN 912 2		-
36	75100	7	SPACER NORDLOCK M8 NL8, PAIR		-
37	74532	9	WASHER NORDLOCK NL12		-
38	74789	8	HEXAGONAL SCREW M10*1,25-20		-
39	74531	10	SPACER NORDLOCK M10, PAIR		-
40	72133	2	HEXAGONAL SCREW M8*30 DIN 933		-
41	63944	8	WASHER, PAIR, NORD-LOCK M8		-
42	72150	2	HEXAGONAL SCREW M10*25 DIN 933 ZN		-
43	73039	2	HEXAGONAL SCREW M 8*16 DIN 933 ZN		-
44	73042	3	HEX. SCREW M12*35 DIN 933 ZN		-
45	72165	6	HEXAGONAL SCREW M12*20 DIN 933		-

20.12.2023

A455806 JOYSTICK 6 FUNCTIONS, KIT, 500 SERIES



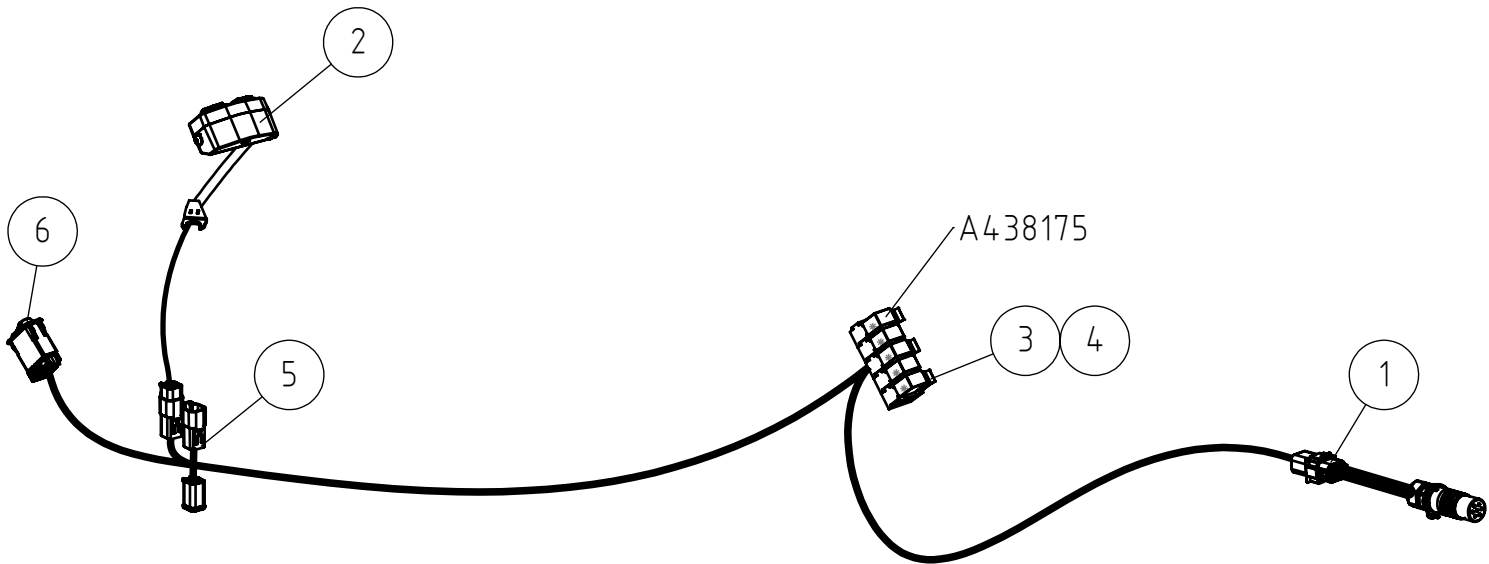
20.12.2023

A455806 JOYSTICK 6 FUNCTIONS, KIT, 500 SERIES

REF	PART NO	QTY	DESCRIPTION	NOTES	PAGE
1	A442890	1	CONTROL VALVE HDS11/4 PUSH-PULL		-
2	A460740	1	CONTROL LEVERS & JOINTS HDS11 ASSEMBLY		38
3	64042	3	BASIC FITTING F40XS12-3/8 /8		-
4	64884	1	ELBOW FITTING 45 DEGR. V6SX12		-
5	64041	3	BASIC FITTING F40XS10-3/8 /8		-
6	64068	1	ELBOW FITTING 90 DEGR. C40XS12-3/8 /8		-
7	A432196	2	HEXAGONAL SERRATED SCREW M10*20 W. FLANG		-
8	74783	2	HEXAGONAL NUT M10 WITH FLANGE		-
9	A457134	1	MOUNTING PLATE CONTROL VALVE HDS11		-
10	A431029	3	SPACER 3MM		-
11	A431033	3	VIBRATION DAMPER SCBR 45SH		-
12	A431034	3	WASHER Ø38/12,5, S=3 SCBR 38		-
13	72322	3	HEXAGONAL NUT M 10 NYLOC DIN 985		-
14	A437458	3	CARRIAGE BOLT M10*50 DIN603		-
15	64324	3	REDUCER FITTING RI 3/8"-EDX 1/4"		-
16	64059	3	BASIC FITTING F40XS10-1/4		-
17	A424994	1	WIRE HARNESS SOLENOID VALVE 528-700		-
18	A457140	1	HYDR. HOSE L=650		-
19*	A424241	1	JOYSTICK 6 FUNCTION ASSEMBLY	Two buttons	-
19.1	65406	1	PUSHBUTTON, RED, AUX. HYDR. JOYSTICK		-
19.2	65407	1	PUSHBUTTON, BLUE, JOYSTICK, AUX. HYDR.		-
19**	A423576	1	JOYSTICK 6 FUNCTION WITH ANTI SLIP	Two buttons + trigger	-
19.1	65406	1	PUSHBUTTON, RED, AUX. HYDR. JOYSTICK		-
19.2	65407	1	PUSHBUTTON, BLUE, JOYSTICK, AUX. HYDR.		-
20**	A423576	1	JOYSTICK 6 FUNCTION WITH ANTI SLIP	Two buttons + trigger	-
20.1	65406	1	PUSHBUTTON, RED, AUX. HYDR. JOYSTICK		-
20.2	65407	1	PUSHBUTTON, BLUE, JOYSTICK, AUX. HYDR.		-

20.12.2023

A454145 ATTACHMENT CONTROL SWITCH PACK



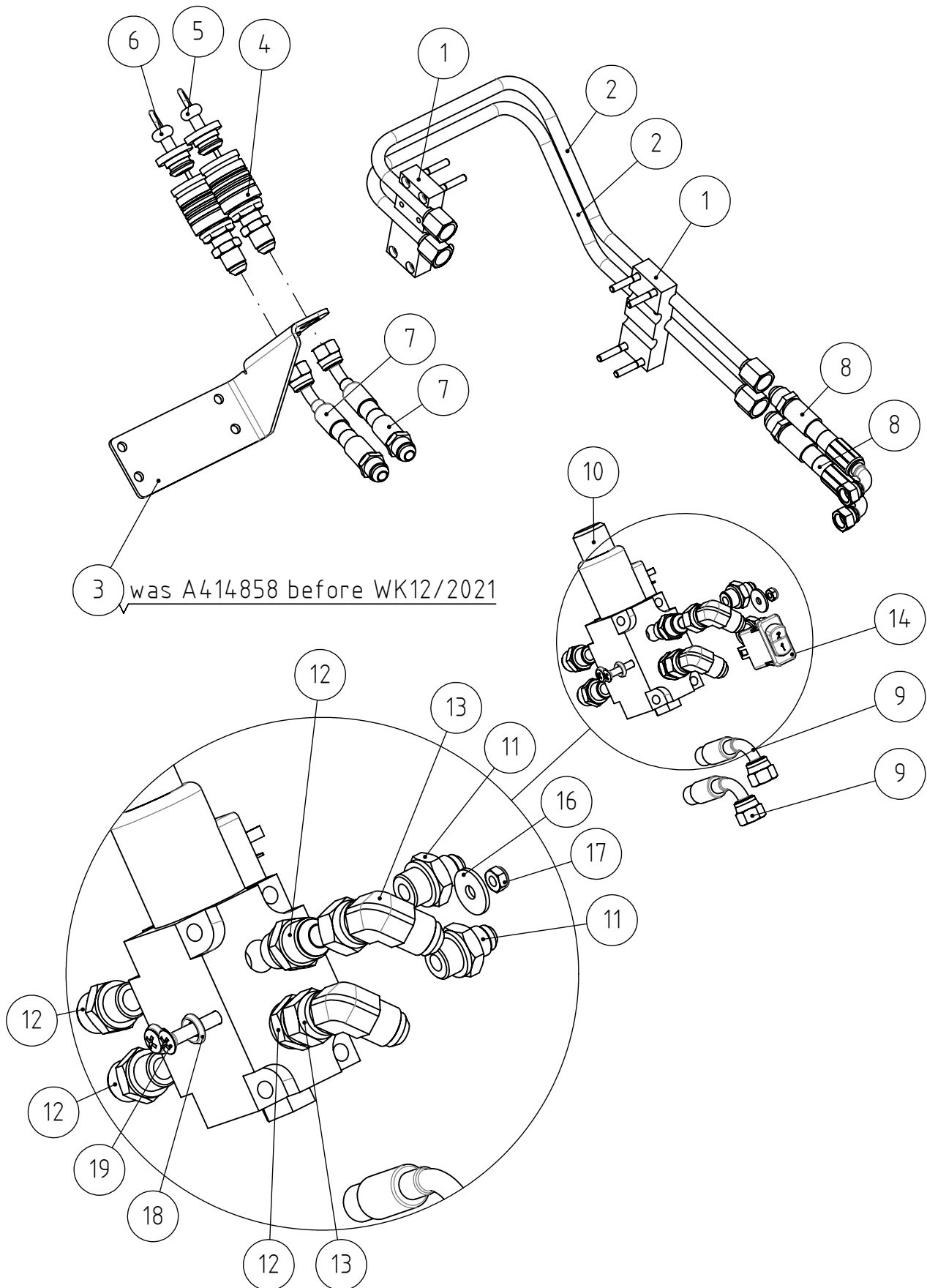
20.12.2023

A454145 ATTACHMENT CONTROL SWITCH PACK

REF	PART NO	QTY	DESCRIPTION	NOTES	PAGE
1	A445731	1	CONNECTING CABLE OPTICONTROL L=3100		-
2	A34716	1	SWITCH PACK		-
2.1	65431	1	ROCKER SWITCH 0-1, BLACK, 180.1146		-
2.2	65408	2	ROCKER SWITCH, BLACK, JOYSTICK		-
3	75172	3	SPEED NUT M5 FOR 0.5-4.0 MM PLATE		-
4	75160	3	HEXAGONAL SCREW M5*10 DIN 933		-
5	A449852	1	WIRE HARNESS OPTICONTROL		-
5.1	A438175	5	RELAY 12V/30A		-
6	A437343	1	ROCKER SWITCH OPTICONTROL		-

20.12.2023

A35884 EXTRA AUX. HYDR. OUTLET, FRONT, 500 SERI



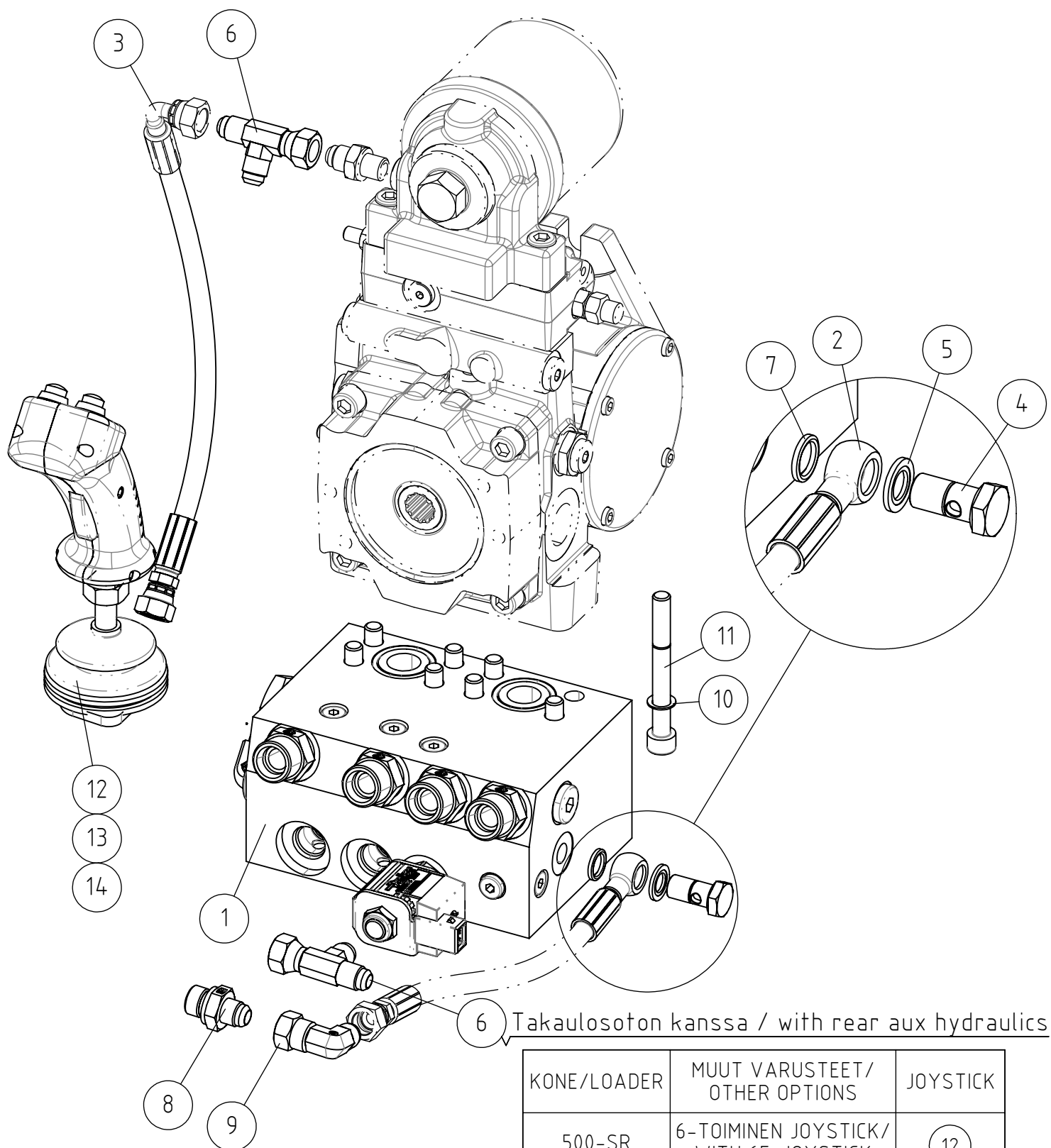
20.12.2023

A35884 EXTRA AUX. HYDR. OUTLET, FRONT, 500 SERI

REF	PART NO	QTY	DESCRIPTION	NOTES	PAGE
1	A414870	2	PIPE CLAMP F12		-
2	A414873	2	HYDRAULIC TUBE F12		-
3	A422154	1	MOUNTING PLATE, QUICK COUPLERS EXTRA		-
4	64190	2	QUICK COUPLING PART 1/2" 2V54-T5X4 FEMAL		-
5	73754	1	RUBBER PLUG 1/2", TO FEMALE QUICK COUPLE		-
6	65566	1	RUBBER PLUG BLUE 1/2", QUICK COUPLING		-
7	A414877	2	HYDR. HOSE L=1300		-
8	A47638	2	HYDR. HOSE L=1610 2LW-06		-
9	A47730	2	HYDR. HOSE L=600 2LW-06 JIC12-JIC12 90DG		-
10	65099	1	SELECTOR VALVE DFE100/6 12VDC		-
10.1	A430809	1	SOLENOID 12VDC		-
11	64041	2	BASIC FITTING F40XS10-3/8 /8		-
12	64042	4	BASIC FITTING F40XS12-3/8 /8		-
13	64134	2	ELBOW FITTING 90 DEGR. C6XS12		-
14	65276	1	ROCKER SWITCH, REAR AUXILIARY HYDRAULICS		-
15	A49452	1	WIRE HARNESS, REAR AUX. HYDRAULICS		-
16	71681	2	WASHER M6 DIN 440		-
17	72318	2	HEXAGONAL NUT M 6 DIN 985 NYLOC		-
18	74768	2	WASHER CONICAL M6		-
19	74861	2	CROSS-SLOT COUNTRS. HEAD SCREW M6*80		-
20	74438	8	HEXAGONAL HEAD SCREW M6*40 DIN 912		-

20.12.2023

A454838 ANTI SLIP VALVE 500, 600 SERIES



6 Takulosoton kanssa / with rear aux hydraulics

KONE/LOADER	MUUT VARUSTEET/ OTHER OPTIONS	JOYSTICK
500-SR	6-TOIMINEN JOYSTICK/ WITH 6F-JOYSTICK	12
600-SR	8-TOIMINEN JOYSTICK/ WITH 8F-JOYSTICK	13
500-600-SR	EI 6-/8-TOIM. JOYSTICKIA/ WITHOUT 6F OR 8F JOYSTICK	14

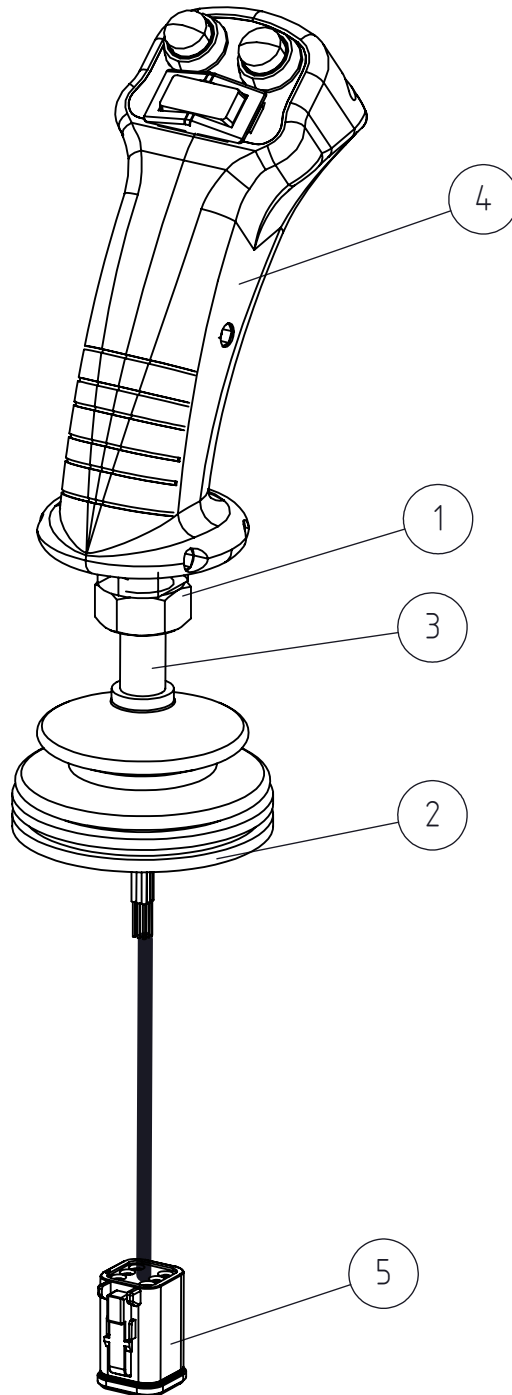
20.12.2023

A454838 ANTI SLIP VALVE 500, 600 SERIES

REF	PART NO	QTY	DESCRIPTION	NOTES	PAGE
1	A451904	1	HYDRAULIC MANIFOLD ANTI SLIP VALVE		-
2	A454837	1	HYDR. HOSE L=265		-
3	A410094	1	HYDR. HOSE L=350		-
4	64557	1	BANJO BOLT R 1/4"		-
5	73757	1	USIT COMPRESSION R1/4"		-
6	64078	2	L-FITTING BODY R6XS10		-
7	A462237	1	SEALING RING 18/13,25 H=3		-
8	64041	1	BASIC FITTING F40XS10-3/8 /8		-
9	64043	1	ELBOW FITTING 90° C6XS10		-
10	A434424	8	SAFETY WASHER M10 3/8"		-
11	A450240	8	HEXAGONAL HEAD SCREW M10*90 12.9 DIN 912		-
12*	A423576	1	JOYSTICK 6 FUNCTION WITH ANTI SLIP	Two buttons + trigger	-
12.1	65406	1	PUSHBUTTON, RED, AUX. HYDR. JOYSTICK		-
12.2	65407	1	PUSHBUTTON, BLUE, JOYSTICK, AUX. HYDR.		-
13	A435400	1	JOYSTICK 8 FUNCTION WITH ANTI SLIP		126
13.1	65406	1	PUSHBUTTON, RED, AUX. HYDR. JOYSTICK		-
13.2	65407	1	PUSHBUTTON, BLUE, JOYSTICK, AUX. HYDR.		-
13.3	65408	1	ROCKER SWITCH, BLACK, JOYSTICK		-
14**	A424267	1	JOYSTICK STANDARD WITH ANTI SLIP SWITCH	trigger only	-
14*	A423576	1	JOYSTICK 6 FUNCTION WITH ANTI SLIP	Two buttons + trigger	-
14.1	65406	1	PUSHBUTTON, RED, AUX. HYDR. JOYSTICK		-
14.2	65407	1	PUSHBUTTON, BLUE, JOYSTICK, AUX. HYDR.		-

20.12.2023

A435400 JOYSTICK 8 FUNCTION WITH ANTI SLIP



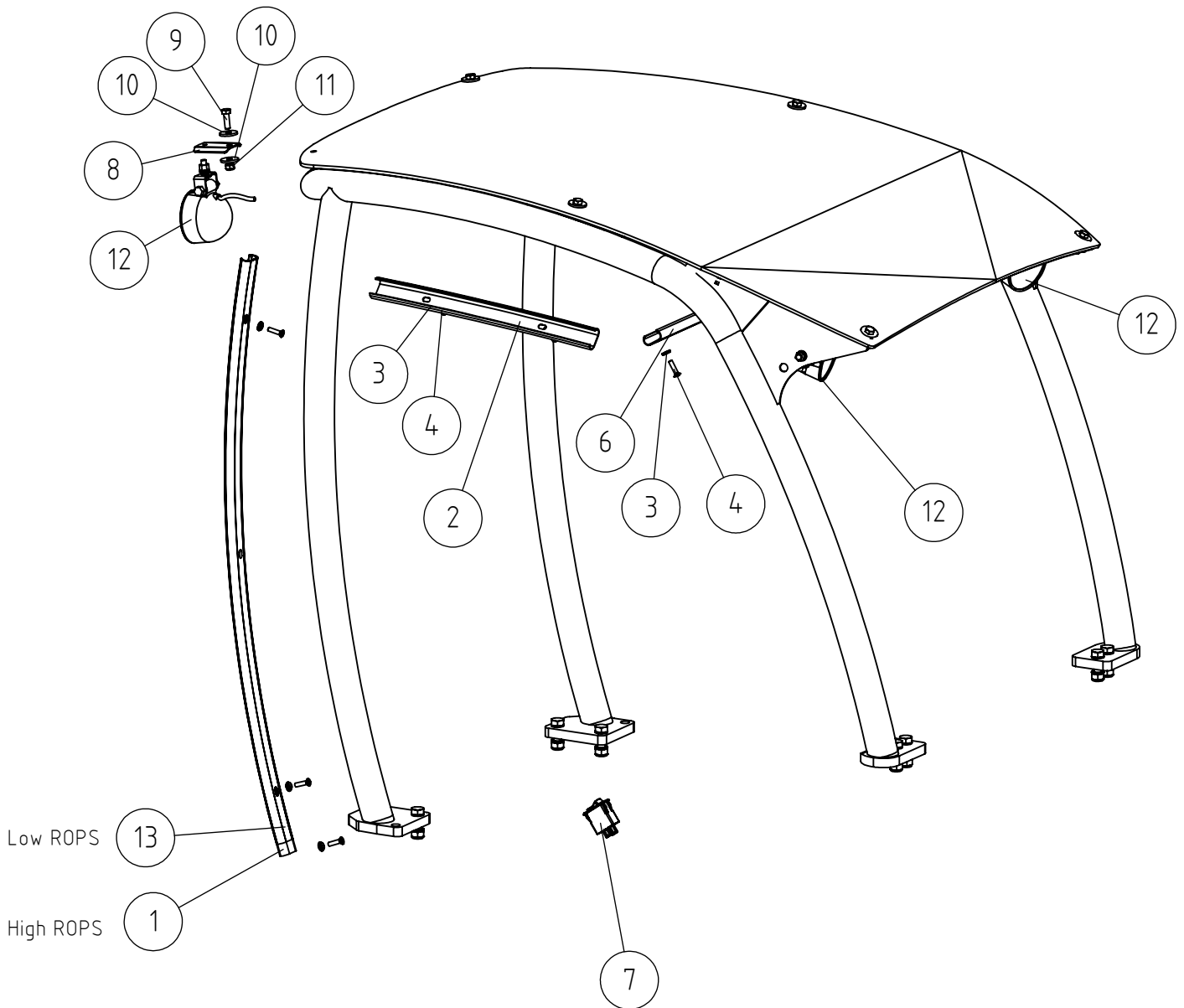
20.12.2023

A435400 JOYSTICK 8 FUNCTION WITH ANTI SLIP

REF	PART NO	QTY	DESCRIPTION	NOTES	PAGE
1	74676	1	HEXAGONAL NUT M 14*1,5 DIN 934 ZN		-
2	74327	1	RUBBER COVER, CONTROL LEVER, F12/56*40		-
3	A410614	1	BRACKET ROD, CONTROL LEVER		-
4	65262	1	JOYSTICK HANDLE 8-FUNC WITH ANTI SLIP SW		-
5	A426057	1	CONNECTOR PLUG DT06-6S DEUTSCH		-
-	65406	1	PUSHBUTTON, RED, AUX. HYDR. JOYSTICK		-
-	65407	1	PUSHBUTTON, BLUE, JOYSTICK, AUX. HYDR.		-
-	65408	1	ROCKER SWITCH, BLACK, JOYSTICK		-

20.12.2023

A33916 WORK LIGHT KIT, 3 LED LIGHTS 700 LUMEN



20.12.2023

A33916 WORK LIGHT KIT, 3 LED LIGHTS 700 LUMEN

REF	PART NO	QTY	DESCRIPTION	NOTES	PAGE
1	A49080	1	COVER STRIP, SIDE		-
2	A49079	1	COVER STRIP, MIDDLE		-
3	74768	8	WASHER CONICAL M6		-
4	A426199	8	CROSS-SLOT COUNTRS. HEAD SCREW M6*25		-
5	A33337	1	WIRE HARNESS, WORK LIGHT		-
6	A49077	1	COVER STRIP, UPPER		-
7	65066	1	SWITCH, WORK LIGHT		-
8	A410086	1	BRACKET, WORK LIGHT		-
9	72132	1	HEXAGONAL SCREW M 8*25 DIN 933 ZN		-
10	71685	2	WASHER M8 R9 DIN 440 ZN		-
11	72320	1	HEXAGONAL NUT M8 NYLOC DIN 985		-
12*	66068	3	WORK LIGHT LED 700 LUMEN 12V/12W COBO	700 lumen	-
12**	A419163	3	WORK LIGHT LED 2500 LUMEN WITH CONNECTOR	2500 lumen	-
13	A450714	1	COVER STRIP SIDE SHORT		-

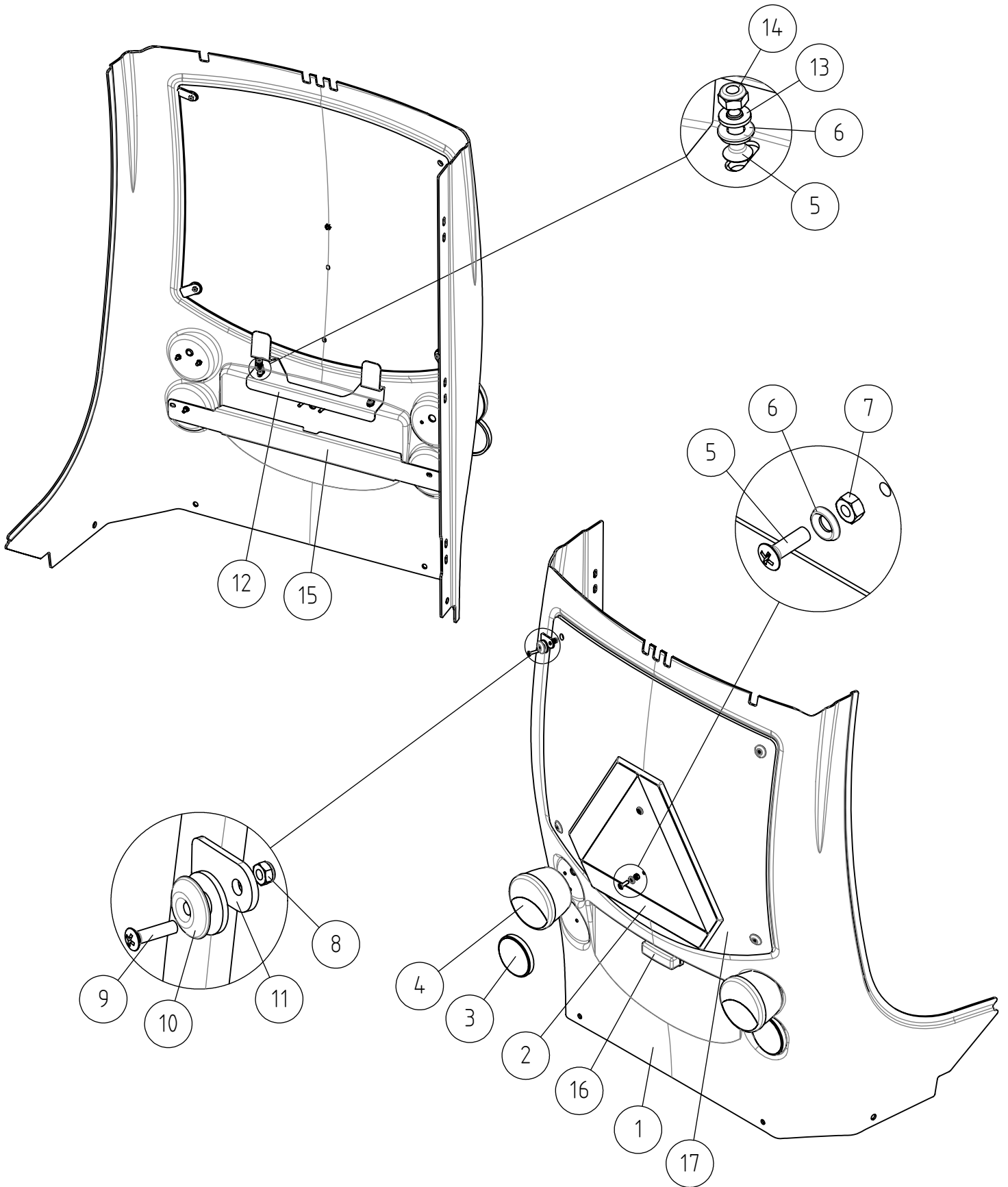
20.12.2023

A449941 ROAD TRAFFIC KIT, ON ROPS 500-600 SERIES

REF	PART NO	QTY	DESCRIPTION	NOTES	PAGE
1	A49059	1	BRACKET, BEACON		-
2	A435335	1	BEACON, ORANGE WITH LED LIGHT 11W		-
3	65058	1	BRACKET (PIN), BEACON		-
4	65065	1	SWITCH, BEACON		-
5	A437372	1	WIRE HARNESS WORK LIGHT KIT / BEACON		-
6	72143	1	HEX. SCREW M8*80 DIN 931		-
7	73122	2	WASHER M8 A8,4 DIN 125 ZN		-
8	72320	1	HEXAGONAL NUT M8 NYLOC DIN 985		-
9	A49080	1	COVER STRIP, SIDE		-
10	74767	2	RAISED COUNTERSUNK HEAD SCREW M6*20		-
11	74768	2	WASHER CONICAL M6		-
12	72323	2	HEXAGONAL NUT M12 DIN 934		-
13	A411594	1	ARM, SIDE MIRROR		-
14	64389	1	SIDE MIRROR CONVEX GLASS 185*135 MM		-
15	64851	1	LIGHTS/BLINKERS LEVER SWITCH		-
16	65064	1	SWITCH, WARNING BLINKER		-
17	A450854	1	HEADLAMPS / PARKING LIGHTS / INDICATOR		-
18	A49353	1	FRAME, OUTER		-
19	A412565	1	REAR WALL FOR ROAD TRAFFIC LIGHTS		132
20	A49354	1	FRAME, INNER		-
21	A49356	1	MOUNTING BRACKET, LOWER		-
22	A435070	1	SLOW MOVING VEHICLE TRIANGLE 430X45X30		-
23	A449798	1	WIRE HARNESS ROAD TRAFFIC KIT FRONT		-
23.1	A438175	2	RELAY 12V/30A		-
23.2	65751	1	INDICATOR RELAY 12V 84W WEH-54 201 102		-
24	A448317	1	WIRE HARNESS ROAD TRAFFIC KIT REAR WALL		-

20.12.2023

A412565 REAR WALL FOR ROAD TRAFFIC LIGHTS



20.12.2023

A412565 REAR WALL FOR ROAD TRAFFIC LIGHTS

REF	PART NO	QTY	DESCRIPTION	NOTES	PAGE
1	A412564	1	COVER PANEL REAR WITHOUT WINDOW		-
2	64733	1	SIGN, SLOW MOVING VEHICLE, RED		-
3	65057	2	REFLECTOR, RED		-
4	65263	2	REAR LIGHT / BLINKER		-
5	74767	4	RAISED COUNTERSUNK HEAD SCREW M6*20		-
6	74768	4	WASHER CONICAL M6		-
7	72317	2	HEXAGONAL NUT M6 DIN 934		-
8	72315	4	HEXAGONAL NUT M5 NYLOC DIN 985		-
9	74787	4	CROSS HEAD SCREW M5*20		-
10	74788	4	FASTENER, WINDOW, F25/F5-13		-
11	A410059	4	HOLDER		-
12	A412146	1	BRACKET, WARNING TRIANGLE		-
13	71680	2	WASHER M6 DIN 125		-
14	72318	2	HEXAGONAL NUT M 6 DIN 985 NYLOC		-
15	A412143	1	CABLE STRIP		-
16	A411791	1	LIGHT, LICENCE PLATE		-
17	A413489	1	REAR WINDOW		-

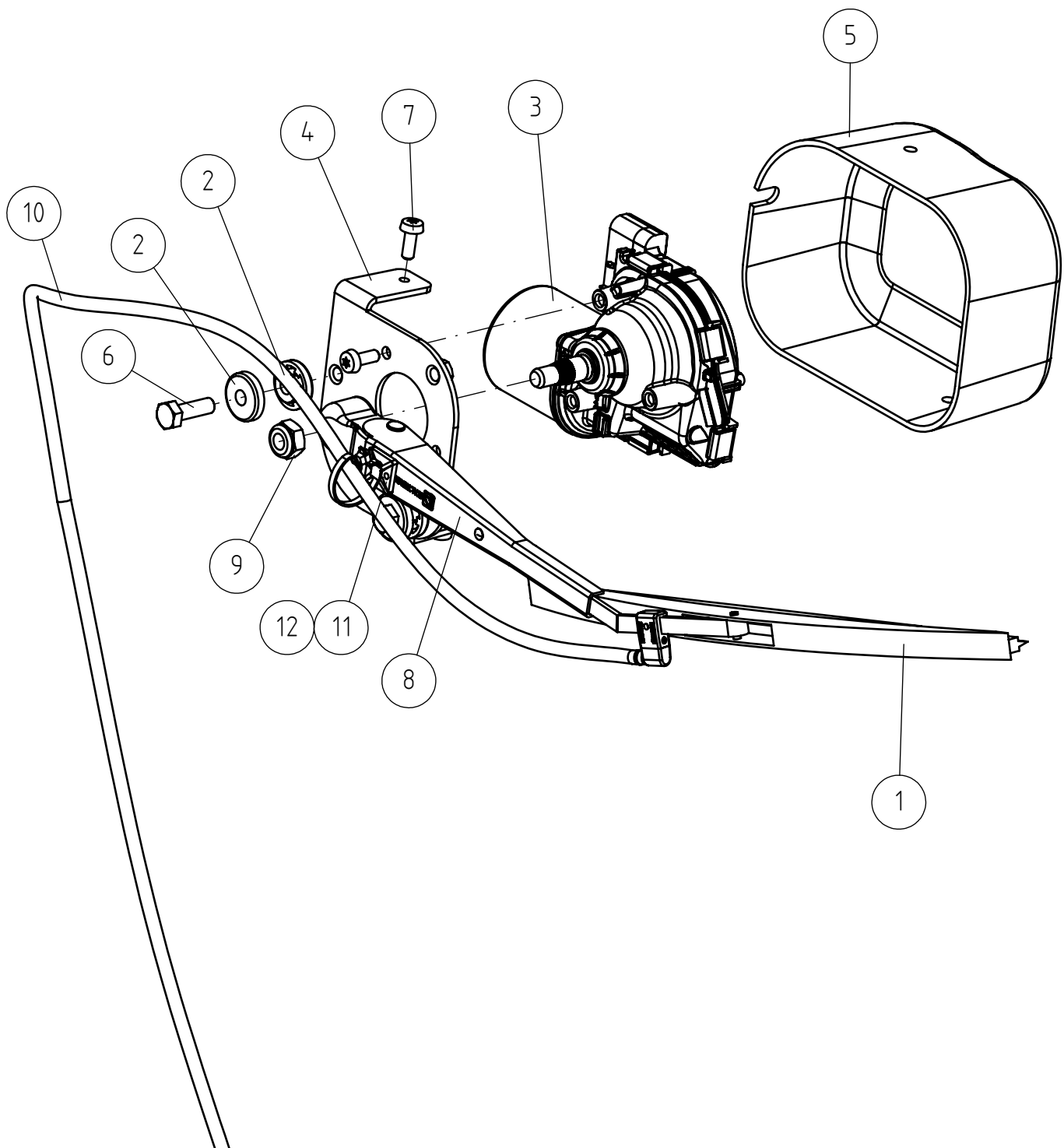
20.12.2023

A449937 CAB L

REF	PART NO	QTY	DESCRIPTION	NOTES	PAGE
1	A33920	1	ROPS FRAME 1090 MM 600/700 SERIES		-
2	A48905	1	FOPS CANOPY PLATE 500/600/700		-
3	A410091	1	CANOPY, POLYCARBONATE		-
4	A49446	1	REAR WALL WITH WINDOW 500/600/700/R/E		-
5	A49451	1	WINDOW, RIGHT, COMPLETE, CAB L 500-700		-
6	A443961	1	WINDSCREEN ASSEMBLY CAB L 500/600/700/E		-
7	A443979	1	WINDSCREEN WIPER ASSEMBLY CAB L 523-7601		136
8	A446010	1	TANK ASSEMBLY WINDSCREEN WASHER		138
9	64986	1	EMERGENCY HAMMER HAPPICH RED		-
10	A432729	1	BRACKET, EMERGENCY HAMMER 64986		-
11	A411021	1	DECAL "EMERGENCY EXIT"		-
12	A49080	1	COVER STRIP, SIDE		-
13	A49079	1	COVER STRIP, MIDDLE		-
14	65063	1	SWITCH, WIPER/WASHER		-
15	A441037	1	WIRE HARNESS CAB L AVANT 700-800		-
16	73322	10	HEXAGONAL SCREW M12*40 DIN 931		-
17	74532	20	WASHER NORDLOCK NL12		-
18	72324	10	HEXAGONAL NUT M 12 NYLOC DIN 985		-
19	72132	2	HEXAGONAL SCREW M 8*25 DIN 933 ZN		-
20	72133	4	HEXAGONAL SCREW M8*30 DIN 933		-
21	71685	12	WASHER M8 R9 DIN 440 ZN		-
22	72320	6	HEXAGONAL NUT M8 NYLOC DIN 985		-
23	A49699	4	MOUNTING BRACKET ONE SIDED		-
24	A49698	2	MOUNTING BRACKET TWO SIDED		-
25	75172	4	SPEED NUT M5 FOR 0.5-4.0 MM PLATE		-
26	73766	6	HEXAGONAL HEAD SCREW M6*16 DIN 912 2 8.8		-
27	71680	6	WASHER M6 DIN 125		-
28	A450046	2	HEXAGONAL NUT M8 WITH FLANGE		-
29	A429202	2	HEXAGONAL SERRATED SCREW M8*25 WITH FLAN		-
30	A429345	2	PAN HEAD MACHINE SCREW M4*10		-
31	74767	5	RAISED COUNTERSUNK HEAD SCREW M6*20		-
32	74768	5	WASHER CONICAL M6		-

20.12.2023

A443979 WINDSCREEN WIPER ASSEMBLY CAB L 523-760I



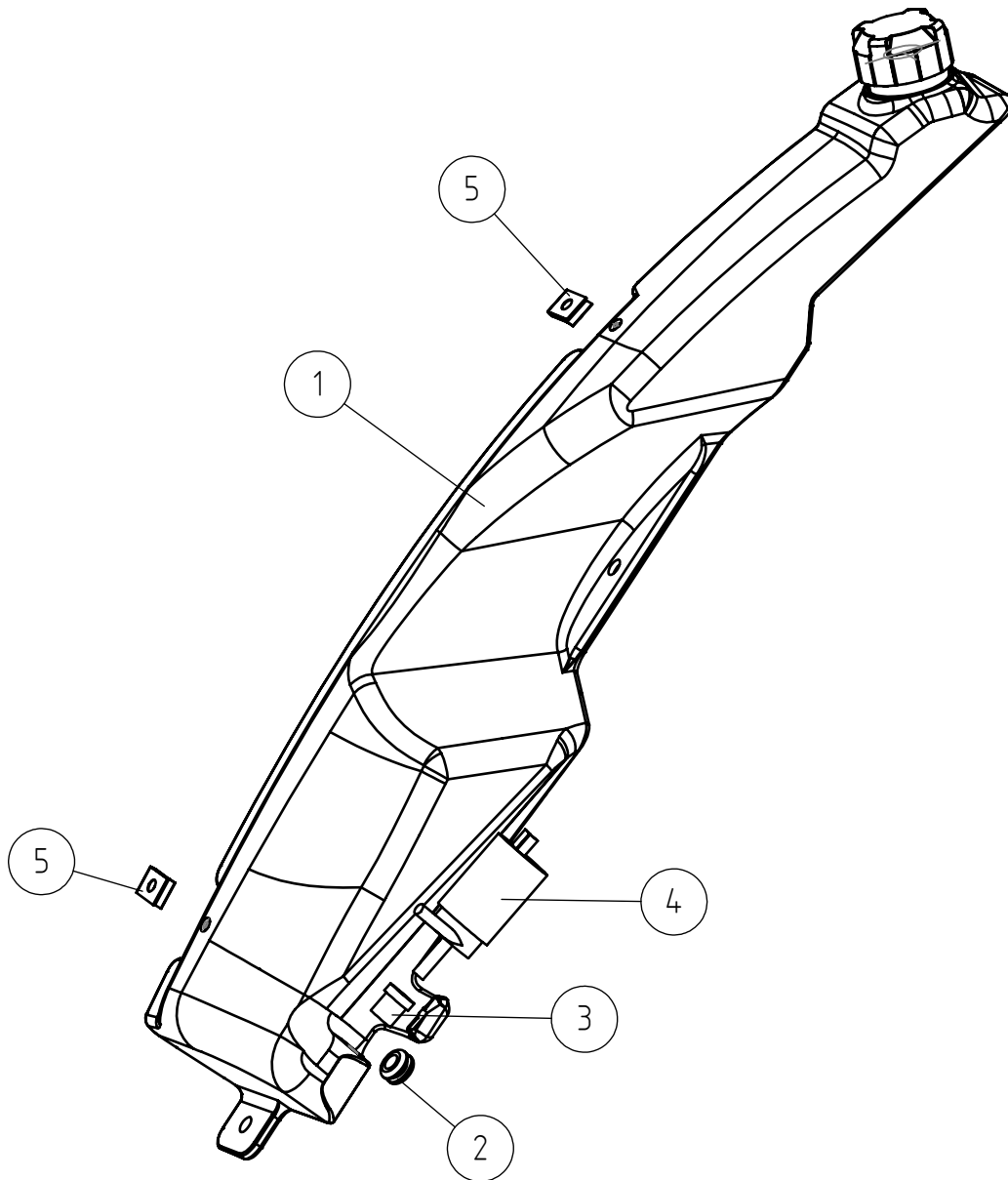
20.12.2023

A443979 WINDSCREEN WIPER ASSEMBLY CAB L 523-760I

REF	PART NO	QTY	DESCRIPTION	NOTES	PAGE
1	A440135	1	WIPER BLADE L=400MM		-
2	A441784	4	BUSHING PLASTIC D16,9/D8 - L8,1		-
3	A446829	1	ELECTRIC MOTOR PROGRAMMED WINDSCREEN		-
4	A440457	1	BRACKET MOTOR WINDSCREEN WIPER		-
5	A440716	1	COVER MOTOR WINDSCREEN WIPER		-
6	A427795	2	HEXAGONAL SCREW M8*25 DIN 933 8.8		-
7	A437544	4	THREAD-FORMING SCREW BLACK M6*16 DIN		-
8	A443799	1	ARM, WINDSCREEN WIPER M10 L=302 WITH		-
9	72322	1	HEXAGONAL NUT M 10 NYLOC DIN 985		-
10	A460684	1	HOSE WINDSCREEN WASHER CAB L		-
11	A455710	1	SOCKET ADHESIVE 19X19 CABLE TIE		-
12	A431459	1	CABLE TIE 3,6*281 BLACK		-

20.12.2023

A446010 TANK ASSEMBLY WINDSCREEN WASHER



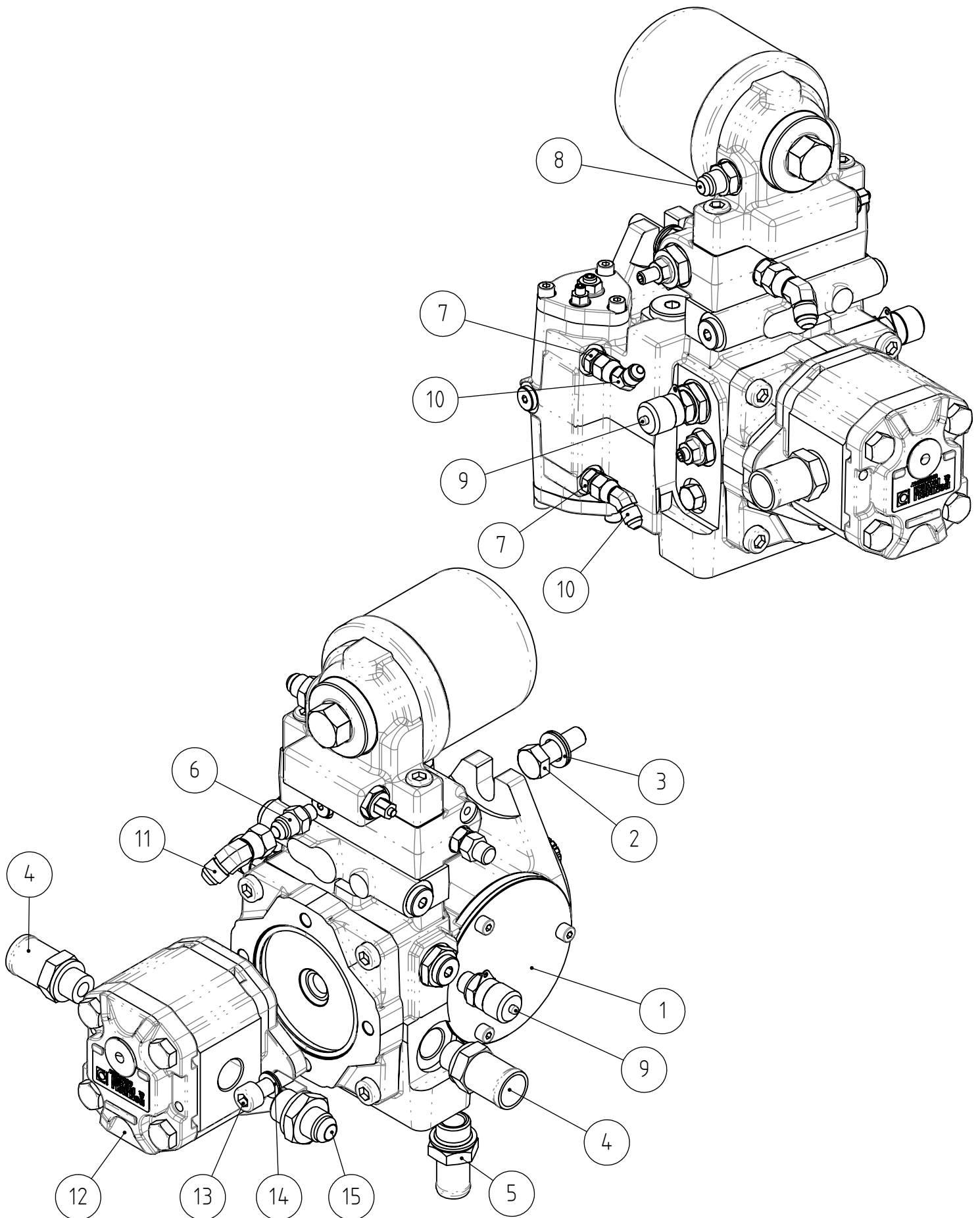
20.12.2023

A446010 TANK ASSEMBLY WINDSCREEN WASHER

REF	PART NO	QTY	DESCRIPTION	NOTES	PAGE
1	A450244	1	TANK WITH CAP WINDSCREEN WASHER		-
2	64865	1	GROMMET F18/12/9,51-3		-
3	64991	1	GROMMET F18/14/6, H14/H5 ,2012306		-
4	65017	1	PUMP 12V, WINDSCREEN WASHER		-
5	74807	2	SPEED NUT M6, FOR 0.5-4.0 MM PLATE		-

20.12.2023

A37578 HYDRAULIC PUMPS ASSEMBLY 520 OPTIDRIVE



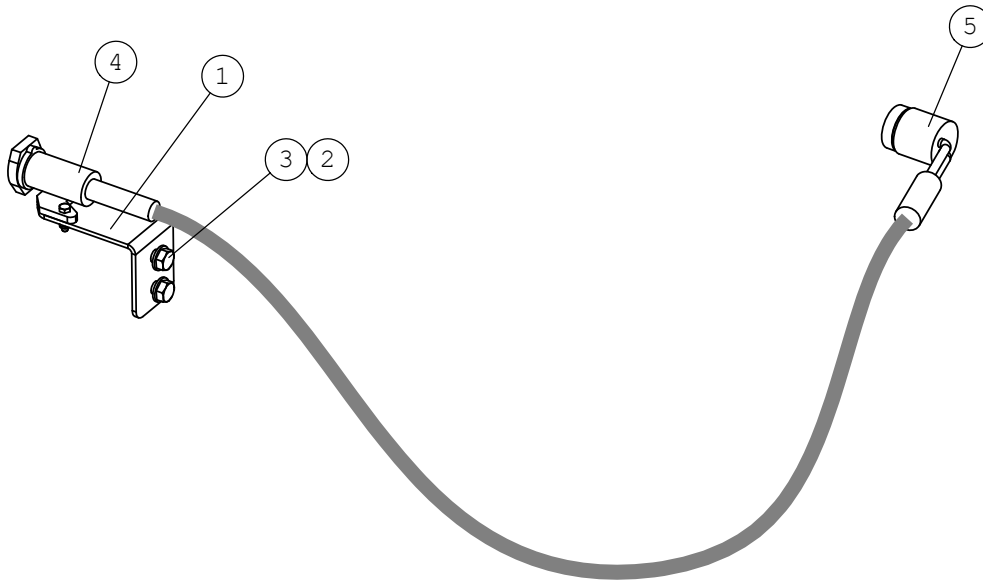
20.12.2023

A37578 HYDRAULIC PUMPS ASSEMBLY 520 OPTIDRIVE

REF	PART NO	QTY	DESCRIPTION	NOTES	PAGE
1	66424	1	VARIABLE DISPL. PUMP 520/R20 HP P2A 19		-
2	73042	2	HEX. SCREW M12*35 DIN 933 ZN		-
3	74690	2	WASHER NORDLOCK M14 NL14		-
4	66240	2	HOSE BARB R1/2"UK-25 MM L=53,5		-
5	66428	1	HOSE BARB R1/2"UK - 20MM		-
6	64346	1	BASIC FITTING F40XS10-1/8"		-
7	64793	2	BASIC FITTING F40XS6-1/8"		-
8	64059	1	BASIC FITTING F40XS10-1/4		-
9	64196	2	MANOMETER FITTING M16*2		-
10	65587	2	ELBOW FITTING 45° UNF 7/16" JIC		-
11	65201	1	ELBOW FITTING 45 DEG. V6SX10		-
12	65052	1	GEAR PUMP HP P2 019		-
13	74467	2	HEXAGONAL HEAD SCREW M10* 30 DIN 912		-
14	74531	2	SPACER NORDLOCK M10, PAIR		-
15	64058	1	BASIC FITTING F40XS12-1/2		-

20.12.2023

A425277 ENGINE BLOCK HEATER, KIT, 423/523



20.12.2023

A425277 ENGINE BLOCK HEATER, KIT, 423/523

REF	PART NO	QTY	DESCRIPTION	NOTES	PAGE
1	A423523	1	MOUNTING BRACKET, SOCKET ENGINE HEATER		-
2	73122	4	WASHER M8 A8,4 DIN 125 ZN		-
3	72130	2	HEXAGONAL SCREW M8*20		-
4	64470	1	CONNECTING LEAD DEFA 460992 BLOCK HEATER		-
5	65727	1	HEATER ELEMENT 300W, ENGINE BLOCK HEATER		-
6	73458	2	HEX. SCREW M4*16 DIN 933 ZN		-
7	72313	2	HEXAGONAL NUT M4 DIN 985 NYLOC		-
8	72319	2	HEXAGONAL NUT M8 DIN 934		-
9	65171	1	CONNECTING CABLE 2,5 M ENGINE BLOCK HEAT		-

AVANT®

Varaosat Spare parts

Manufacturer:

AVANT®

AVANT TECNO OY

e-mail: sales@avanttecho.com

Ylötie 1

33470 Ylöjärvi

FINLAND

Tel. +358 3 347 8800

Fax +358 3 348 5511